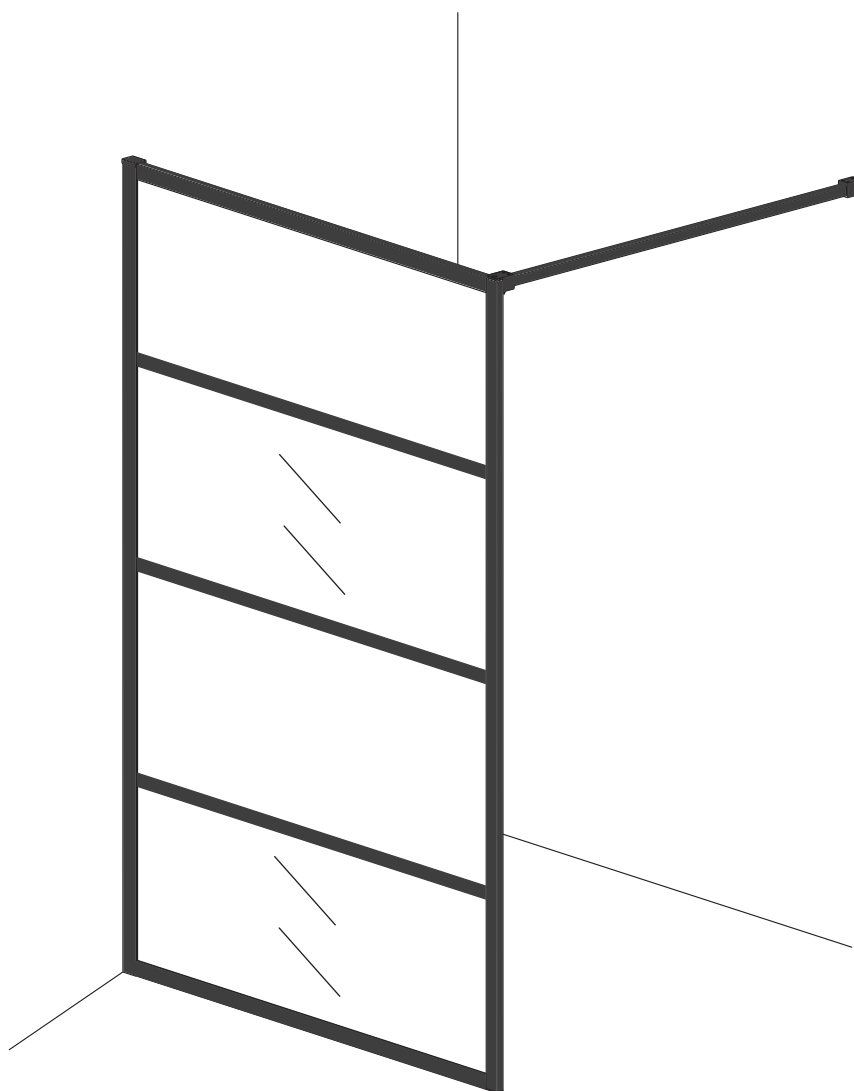
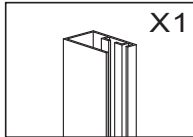
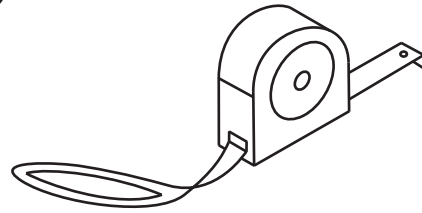
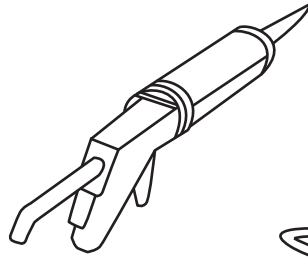
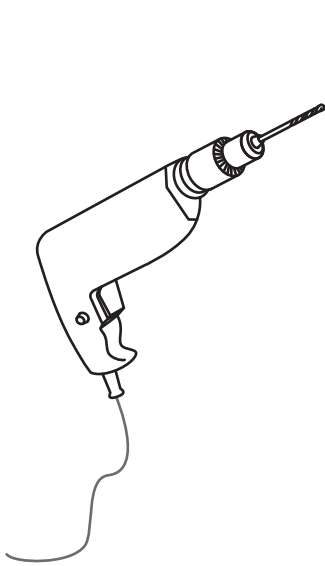
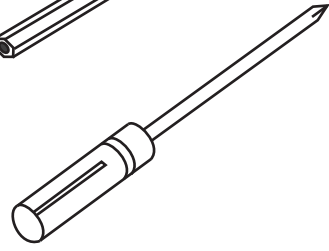
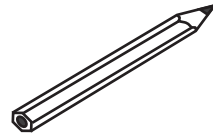
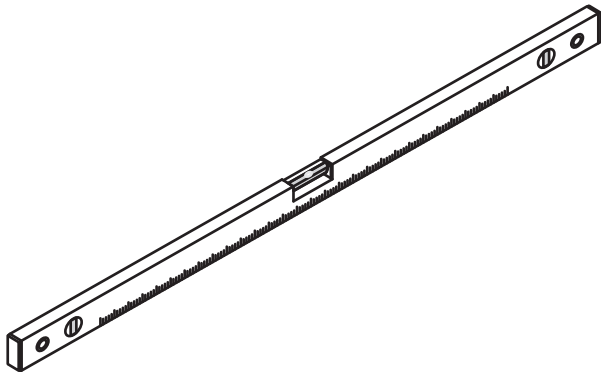


INSTALLATION MANUAL



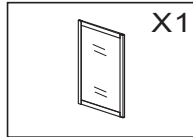
TEKO80/TEKO90/TEKO100
TEKO120/TEKO140

RoHS  ISO9001:2015



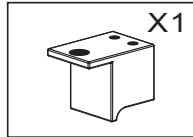
X1

KQ-61



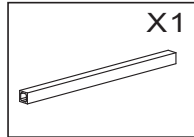
X1

Glass



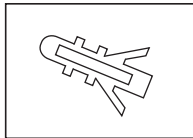
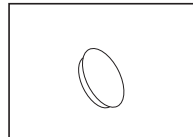
X1

PJ-4239

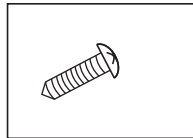


X1

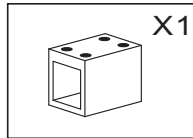
LG-04



Expand tube

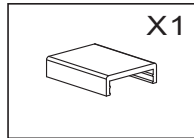


Screw



X1

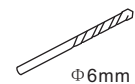
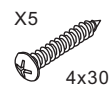
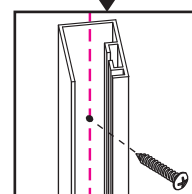
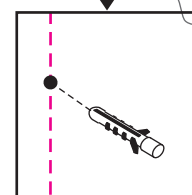
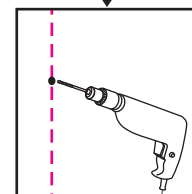
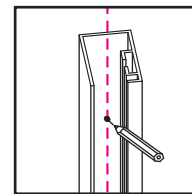
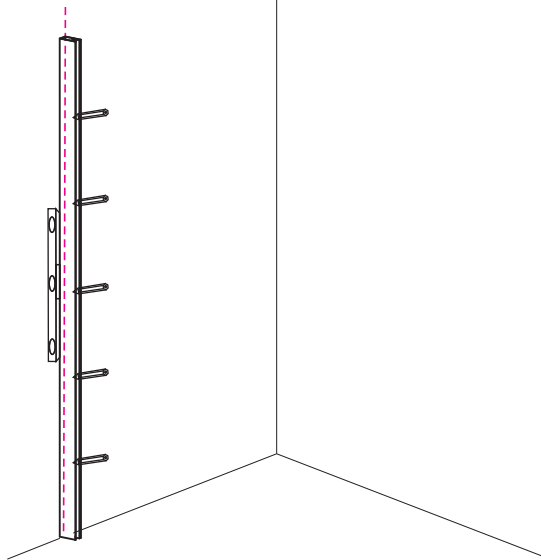
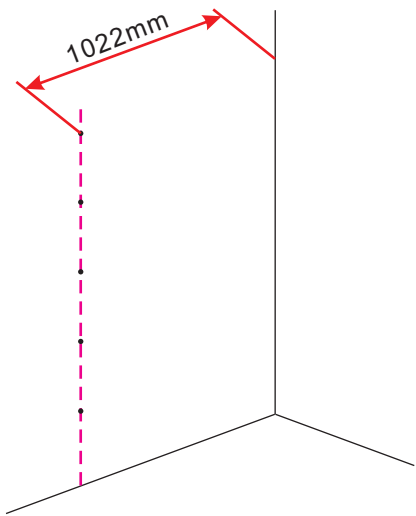
PJ-4206



X1

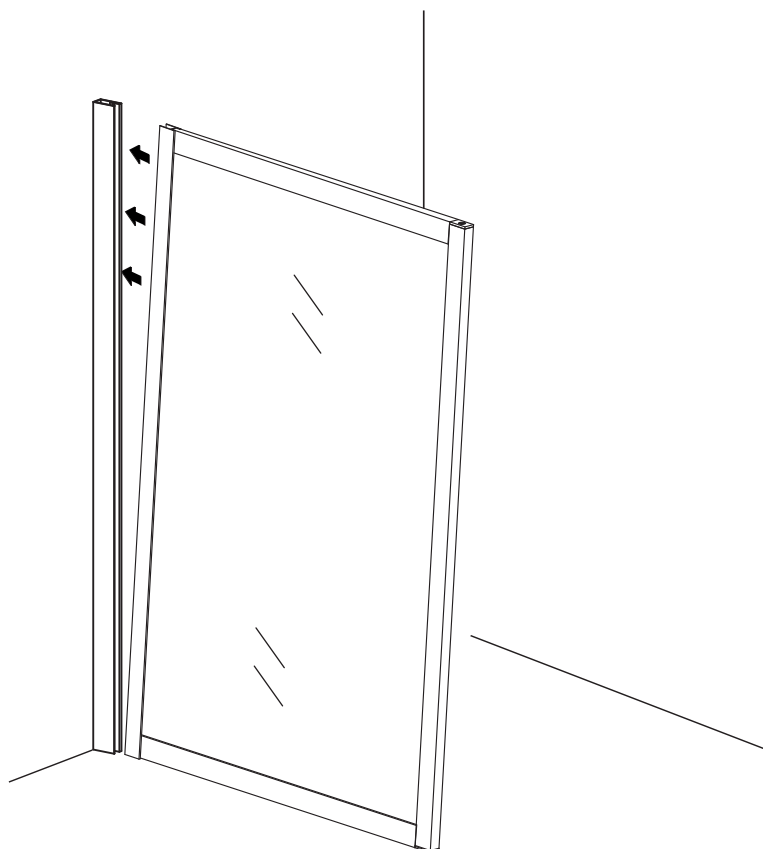
PJ-4902

Install the wall profile.



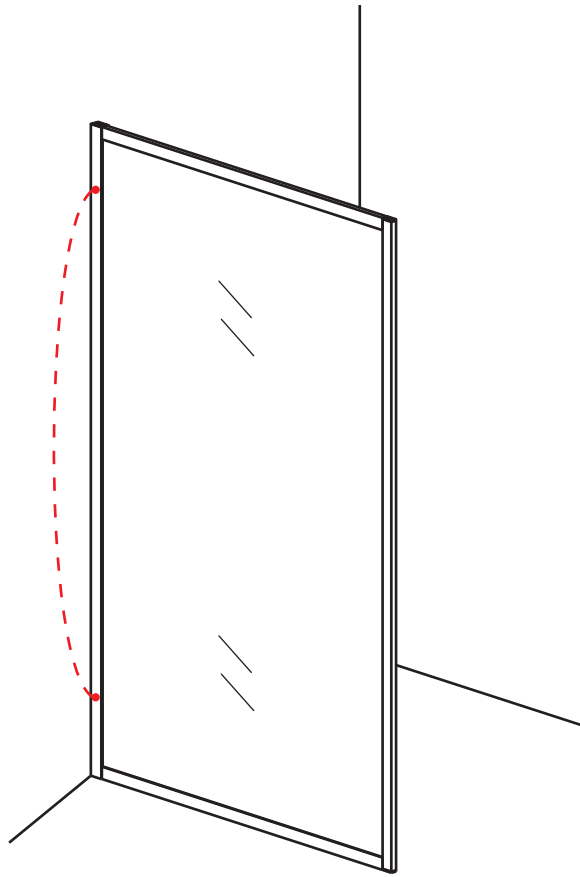
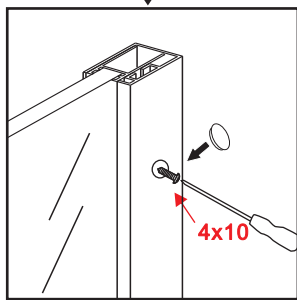
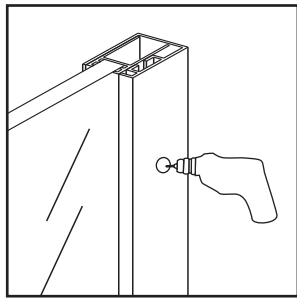
1

Install the fixed glass: insert the fixed glass into wall profile.



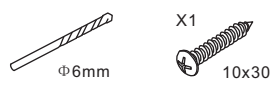
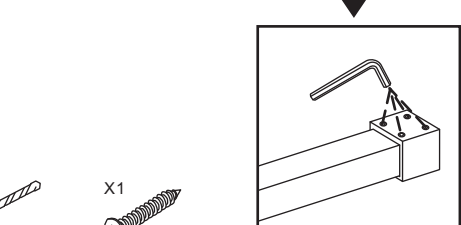
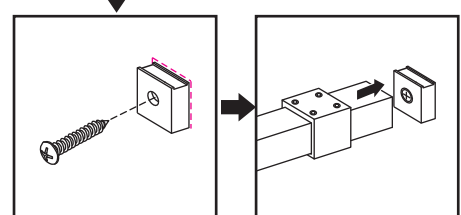
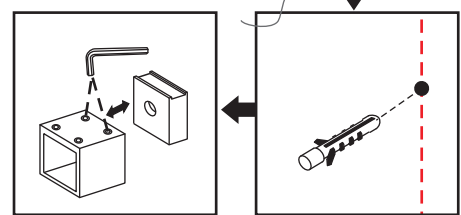
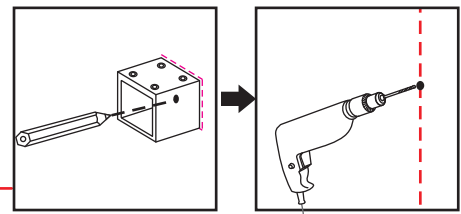
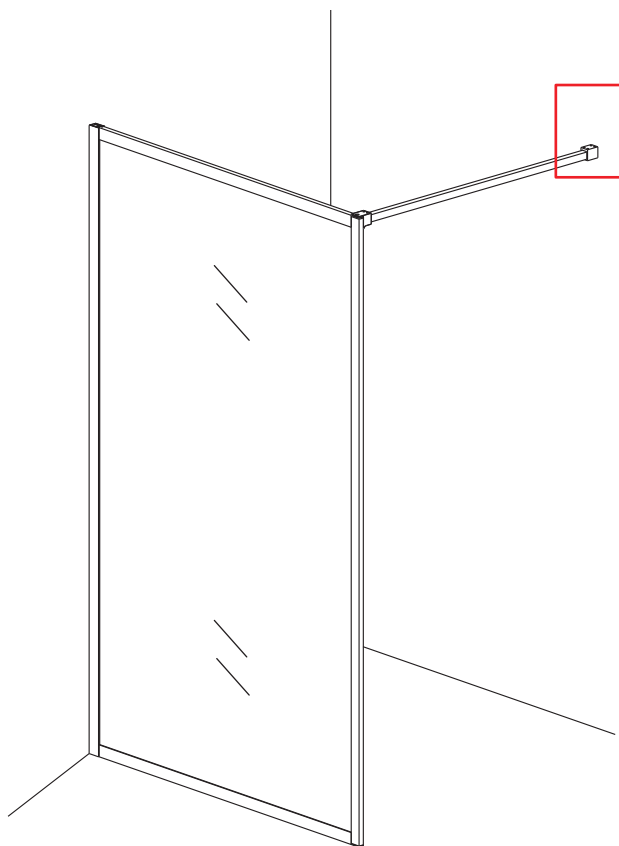
2

Install the fixed glass.



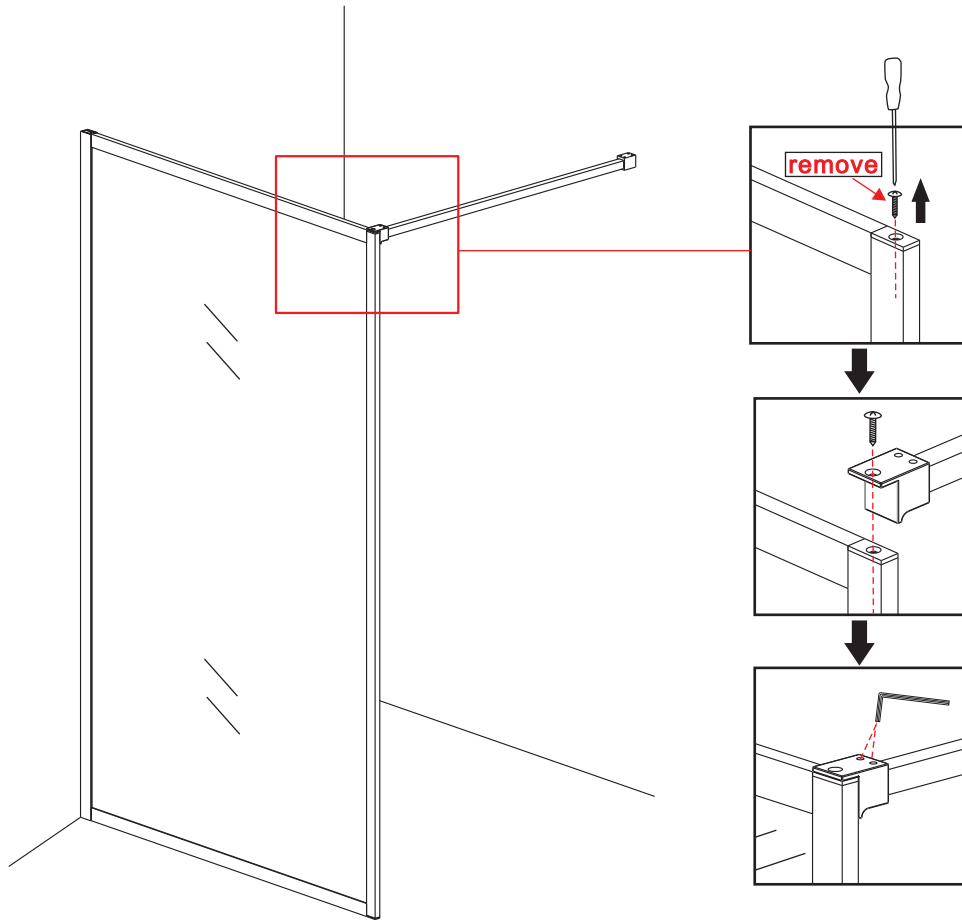
3

Install the support bar on the wall.



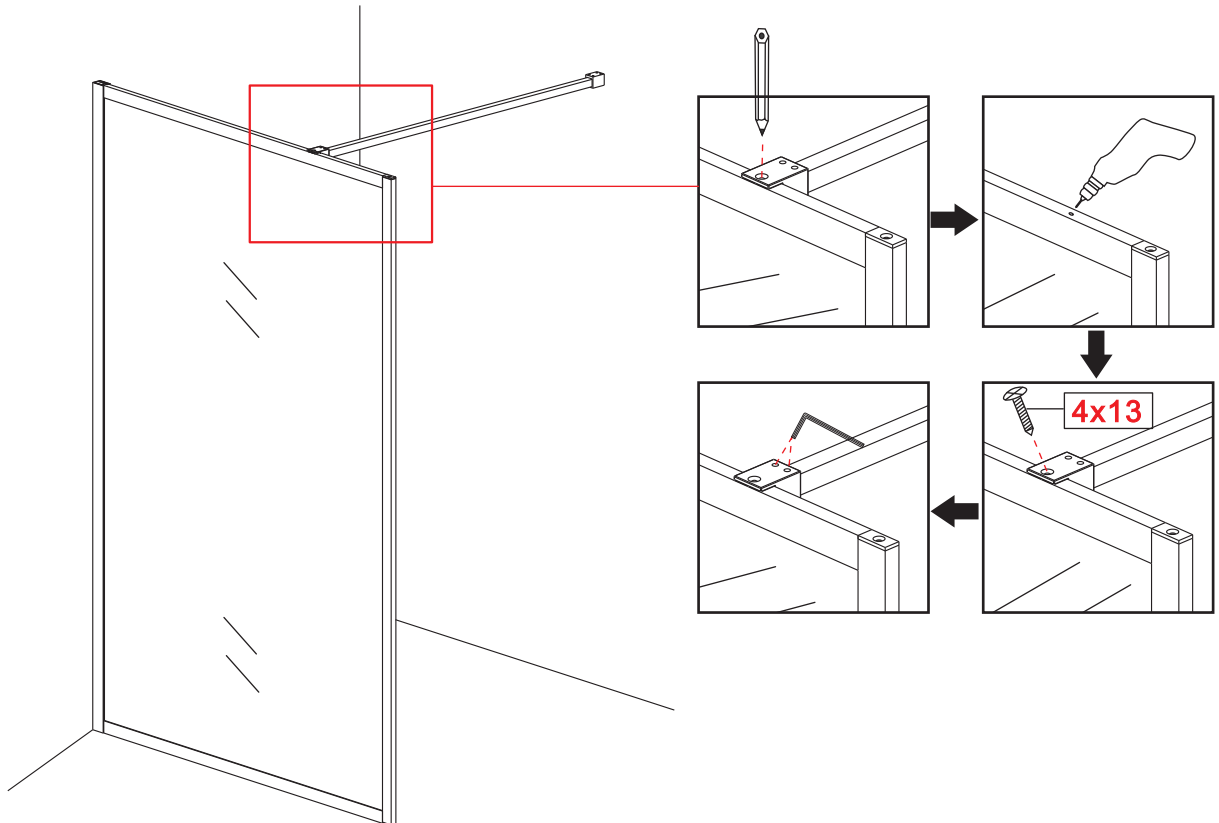
4

Install the support bar part on glass.



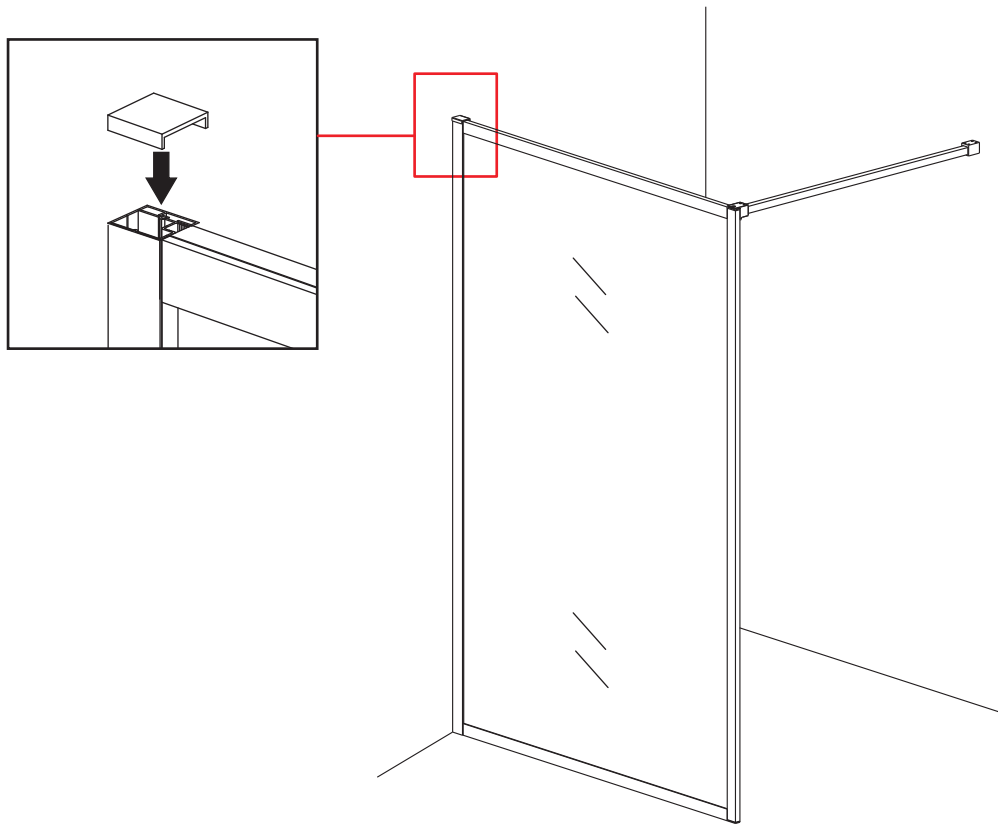
5

Install the support bar part on glass.



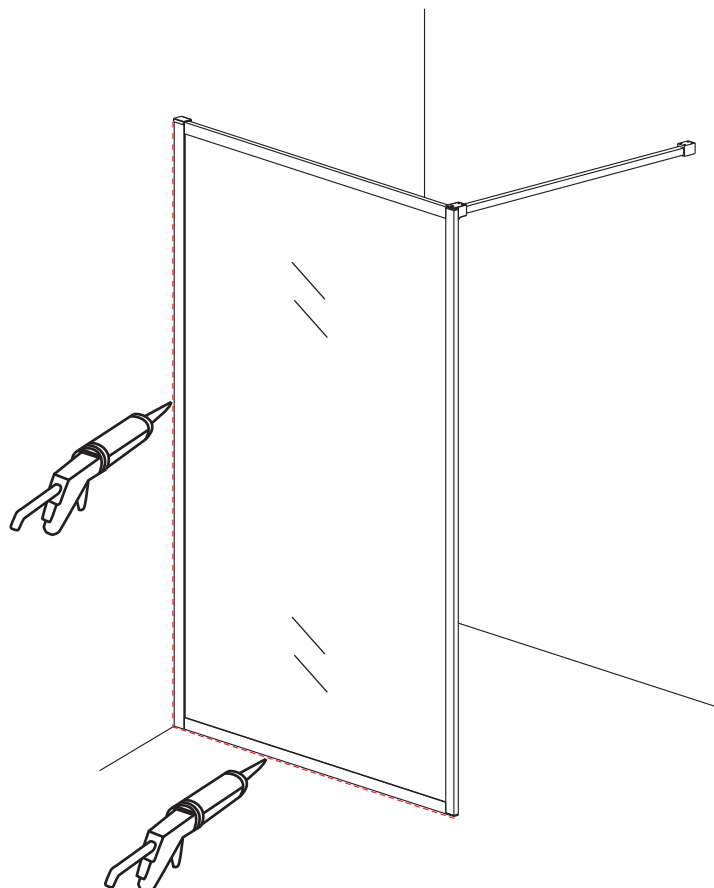
6

Install the top decorate part.



7

Take the glass gel then make sure without shower in 24hours.



8