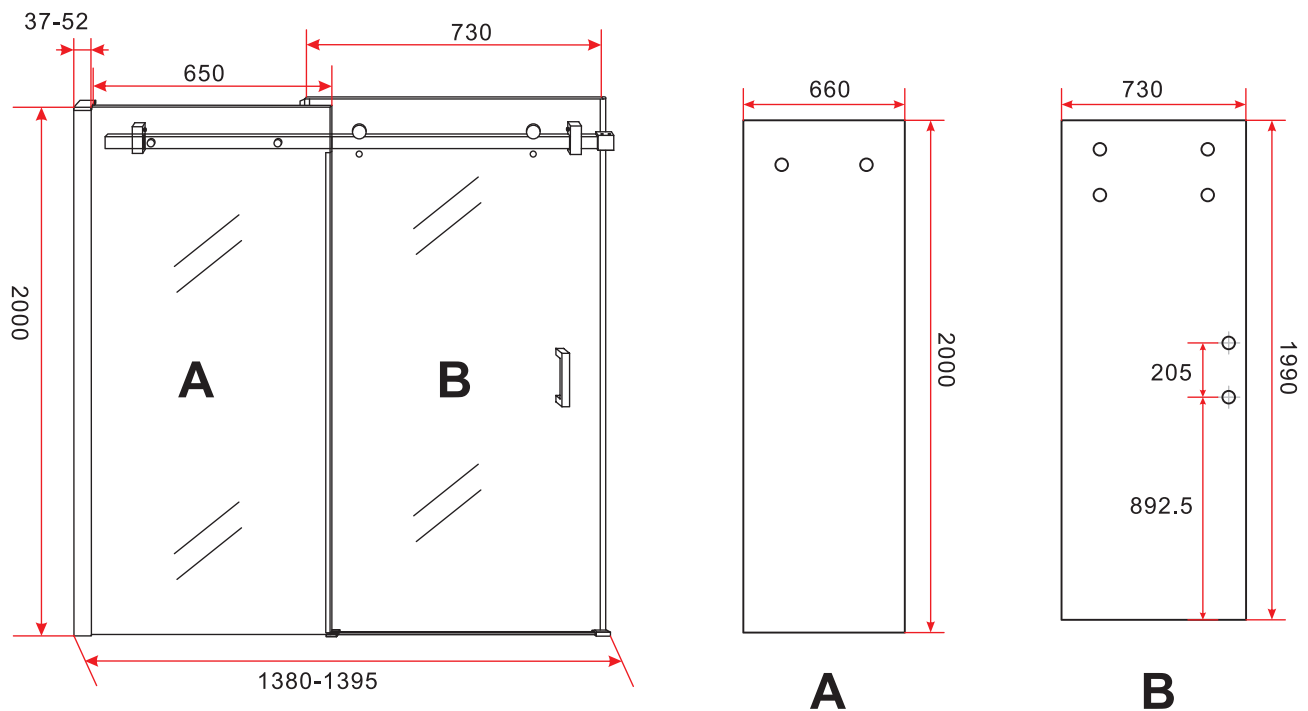


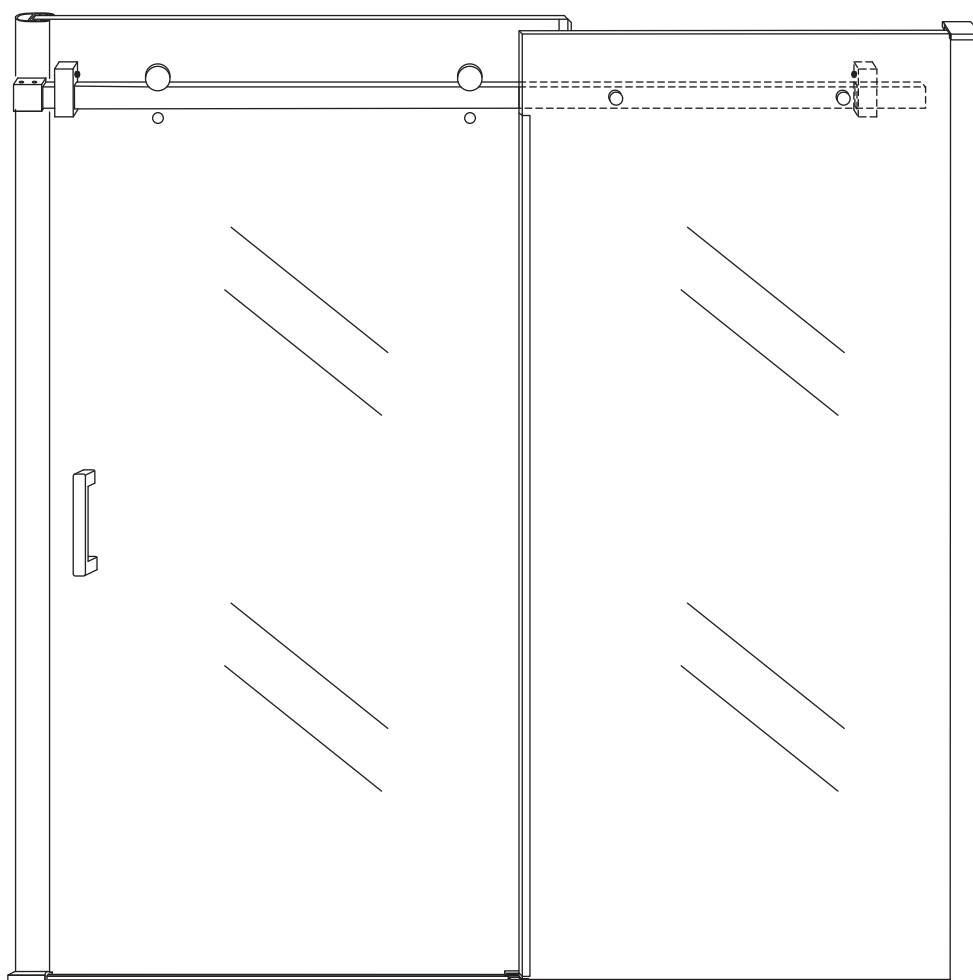
1400x2000mm



TECHNICAL DRAWING



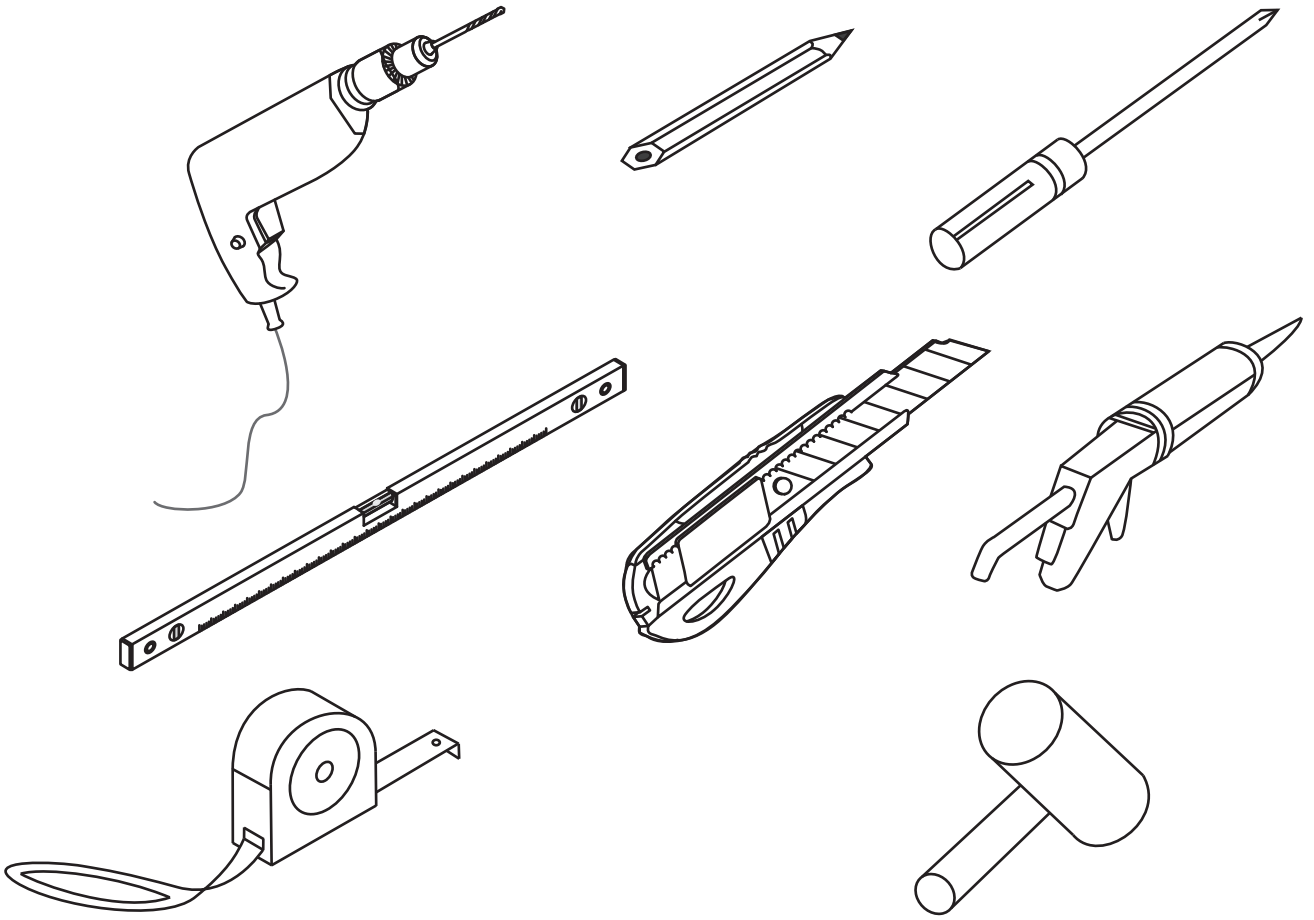
INSTALLATION MANUAL

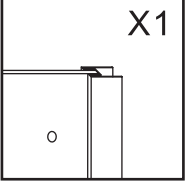
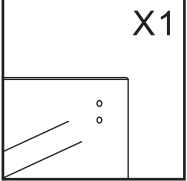
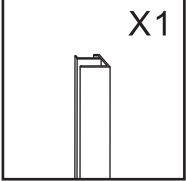
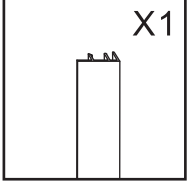
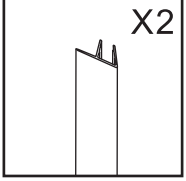
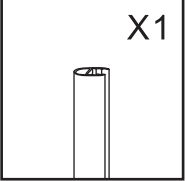
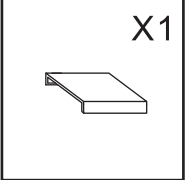
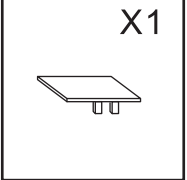
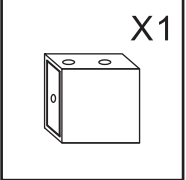
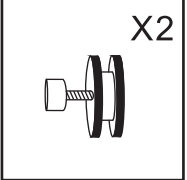
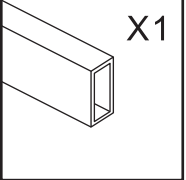
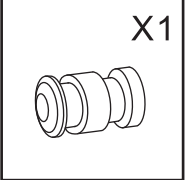

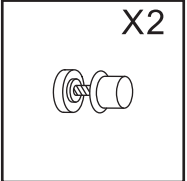
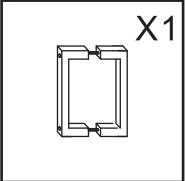

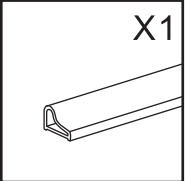
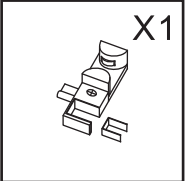
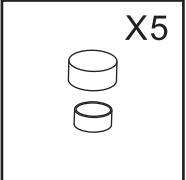
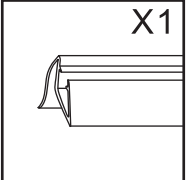
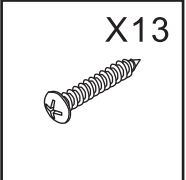
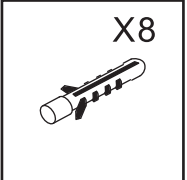


CR-045C12

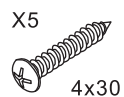
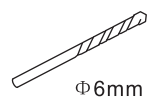
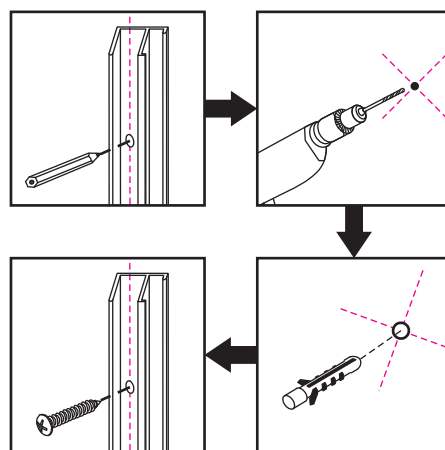
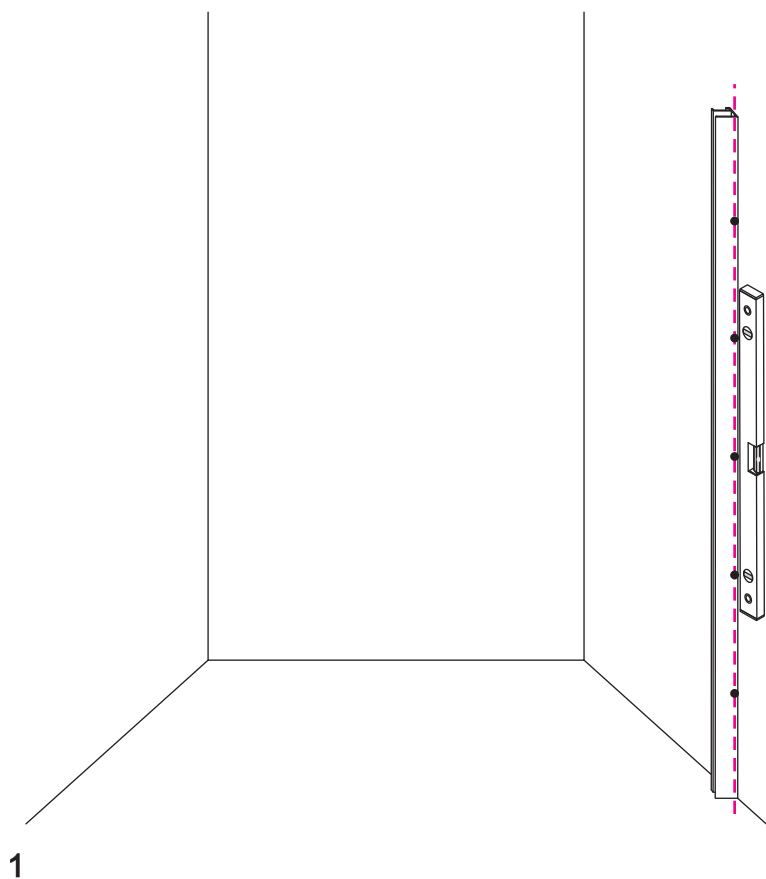
CR-045C14

RoHS **CE** ISO9001:2008



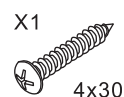
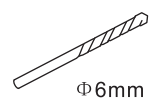
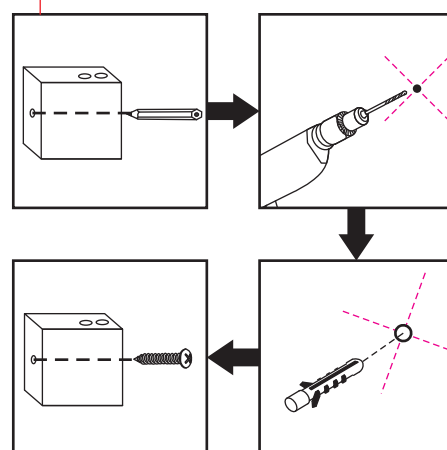
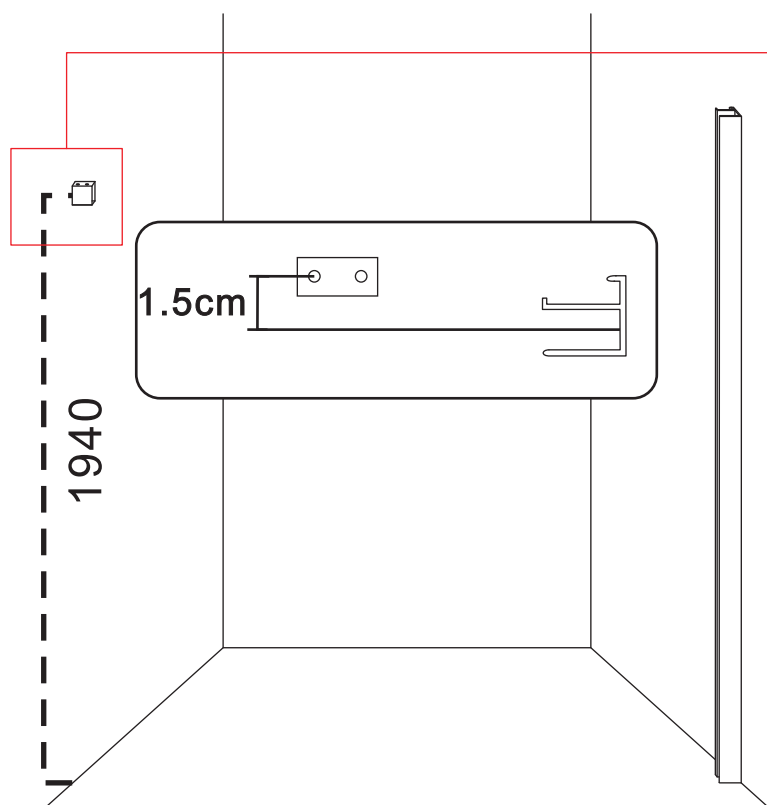
 X1	 X1	 X1	 X1	 X2	 X1
 X1	 X1	 X1	 X2	 X1	 X1
 X2	 X2	 X1	 X1	 X1	 X1
 X5	 X1	 X13	 X8		

Install the wall aluminum profile



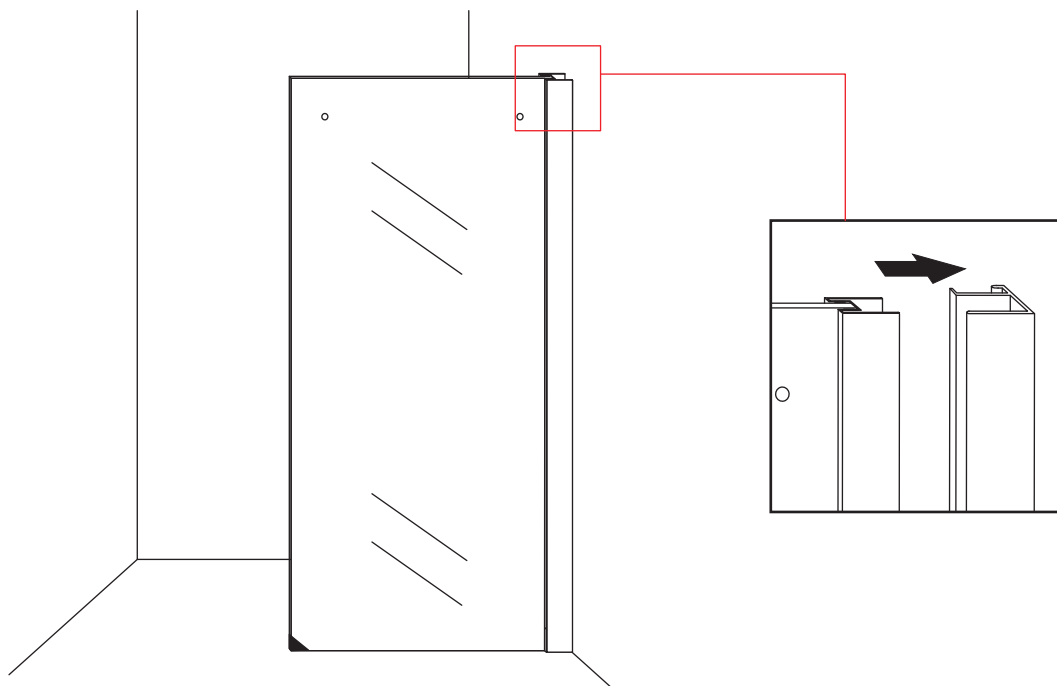
1

As the photo show mark the size then install the stainless steel fixed part .



2

Insert the glass profile to the wall aluminum profile .

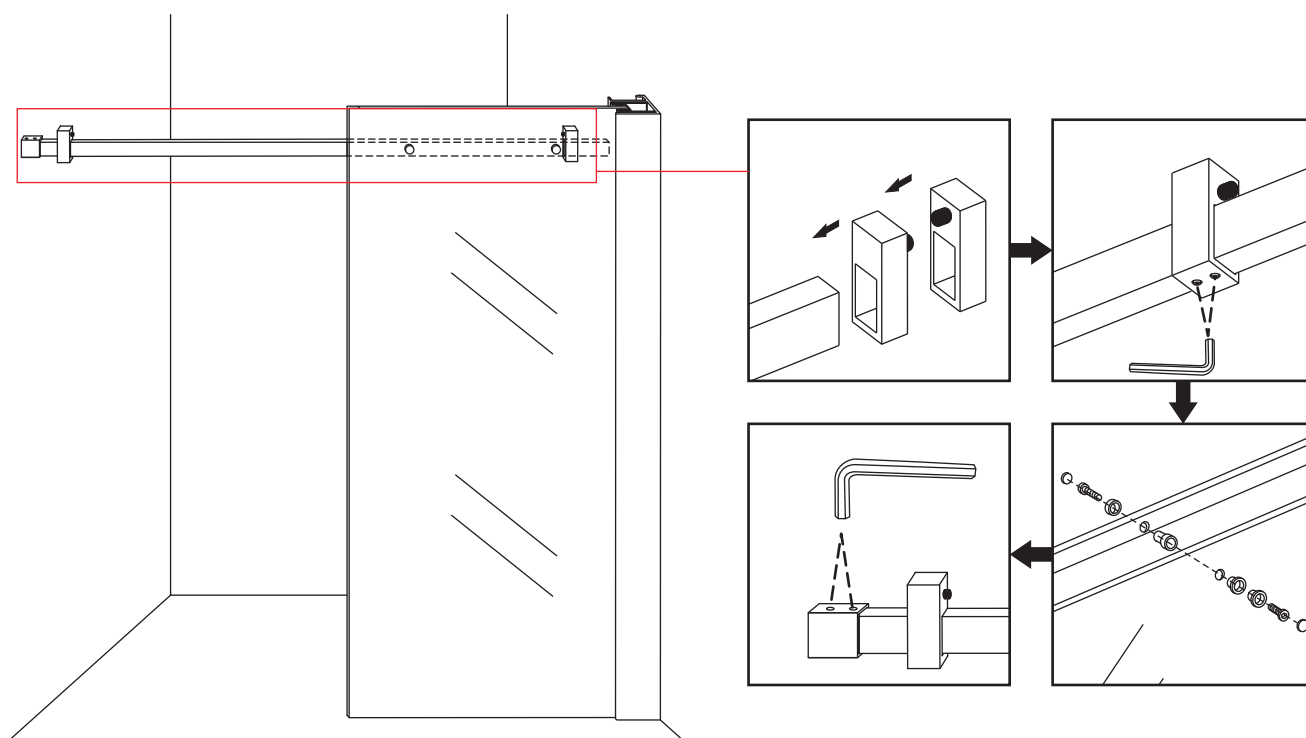


Attention: Do not remove the Black corner protector until insert well the glass into the wall profiles and fit well to prevent glass broken and splitted.



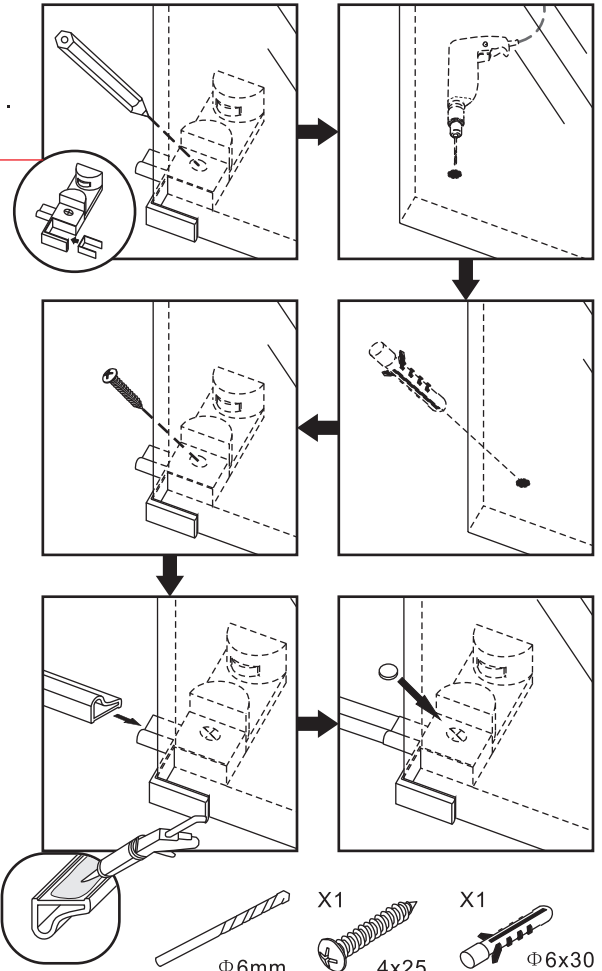
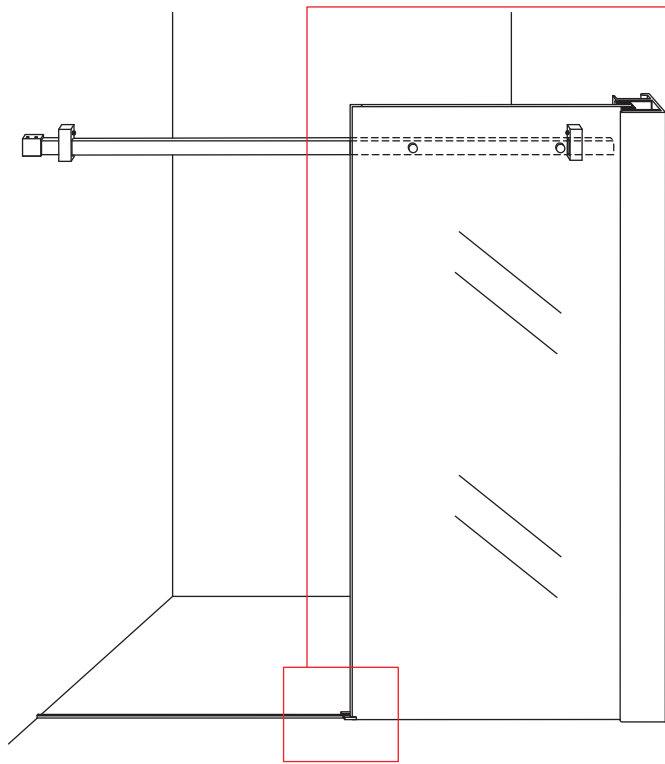
3

As the drawing show install and fix the sliding track on the fixed glass .



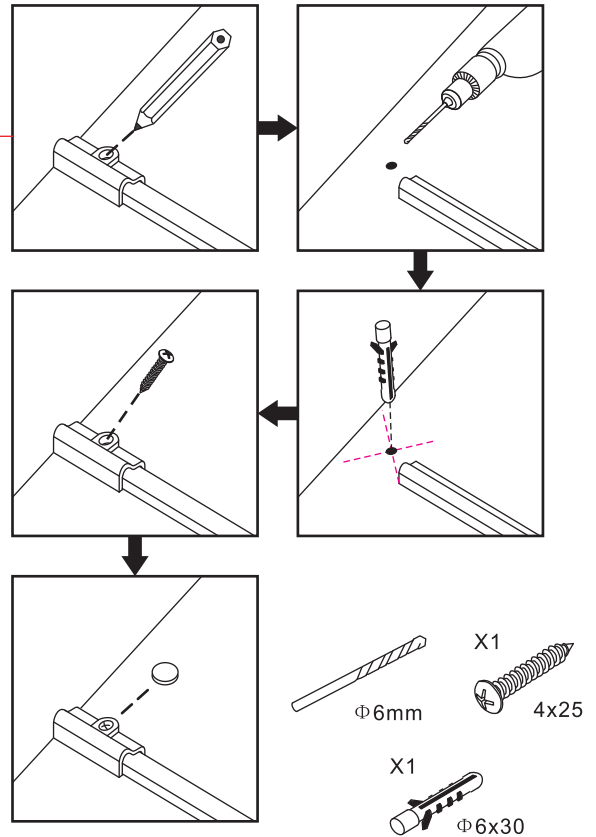
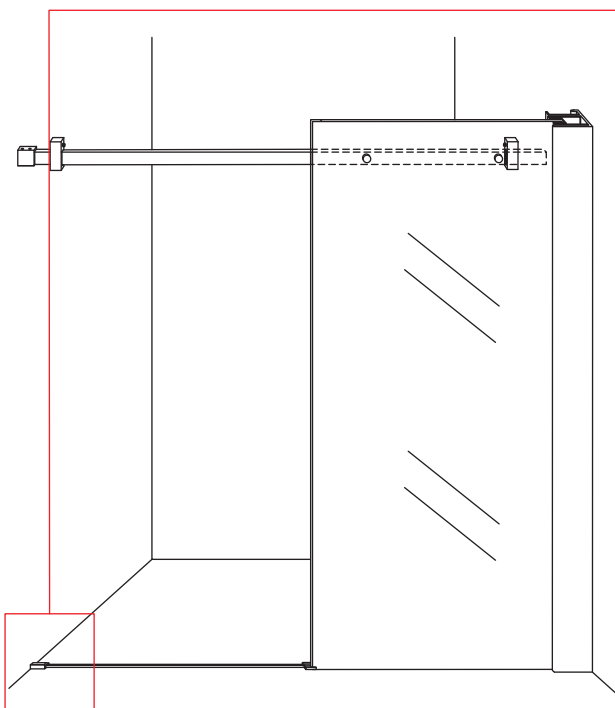
4

1. Install the groove and fix in the glass side .
2. Make the glass gel on the waterproof strip then fixed .



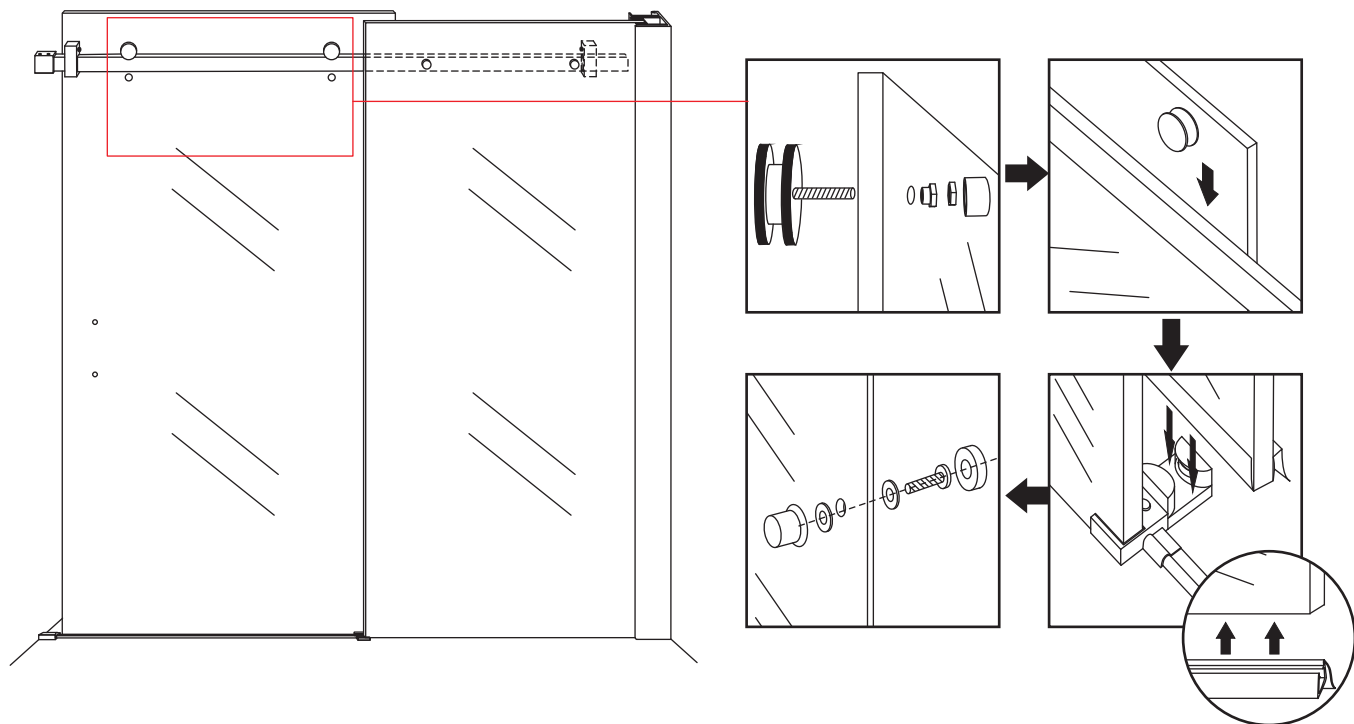
5

Install the plastic decoration part .



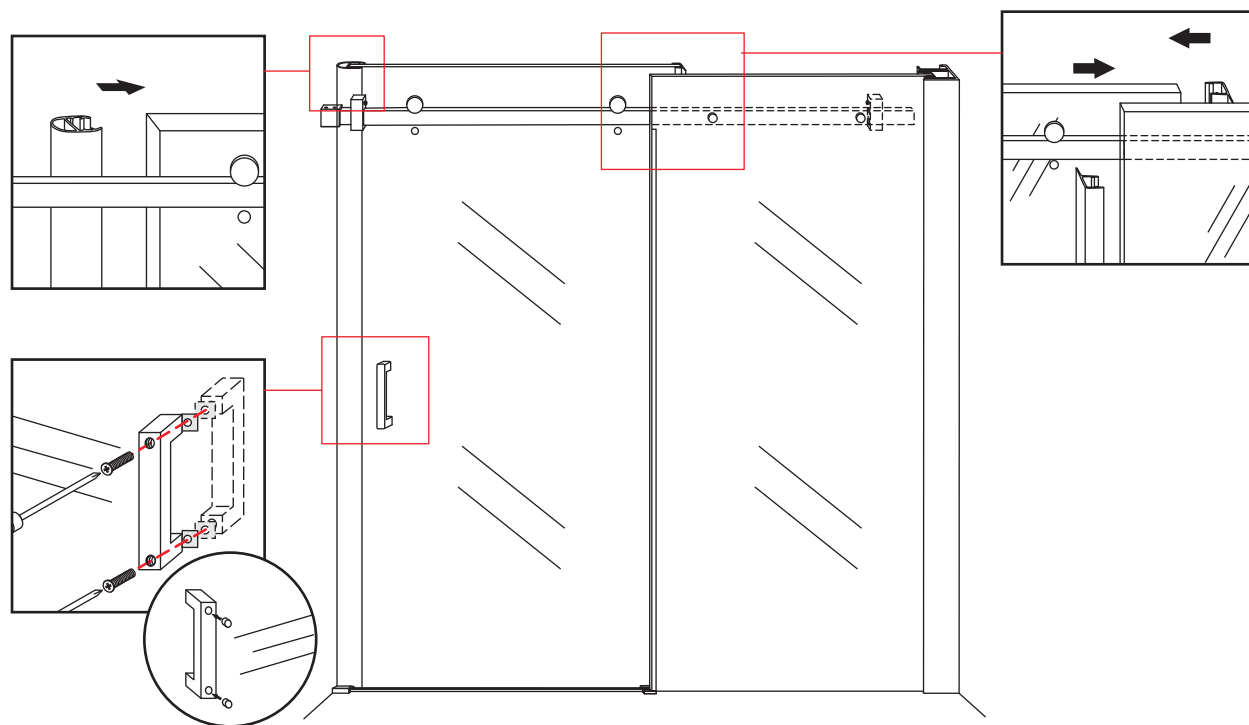
6

1. Install the wheel on the glass .
2. Install the bottom waterproof
3. Hang the glass on the sliding track , make sure the glass on the groove.
4. Install the fix part .



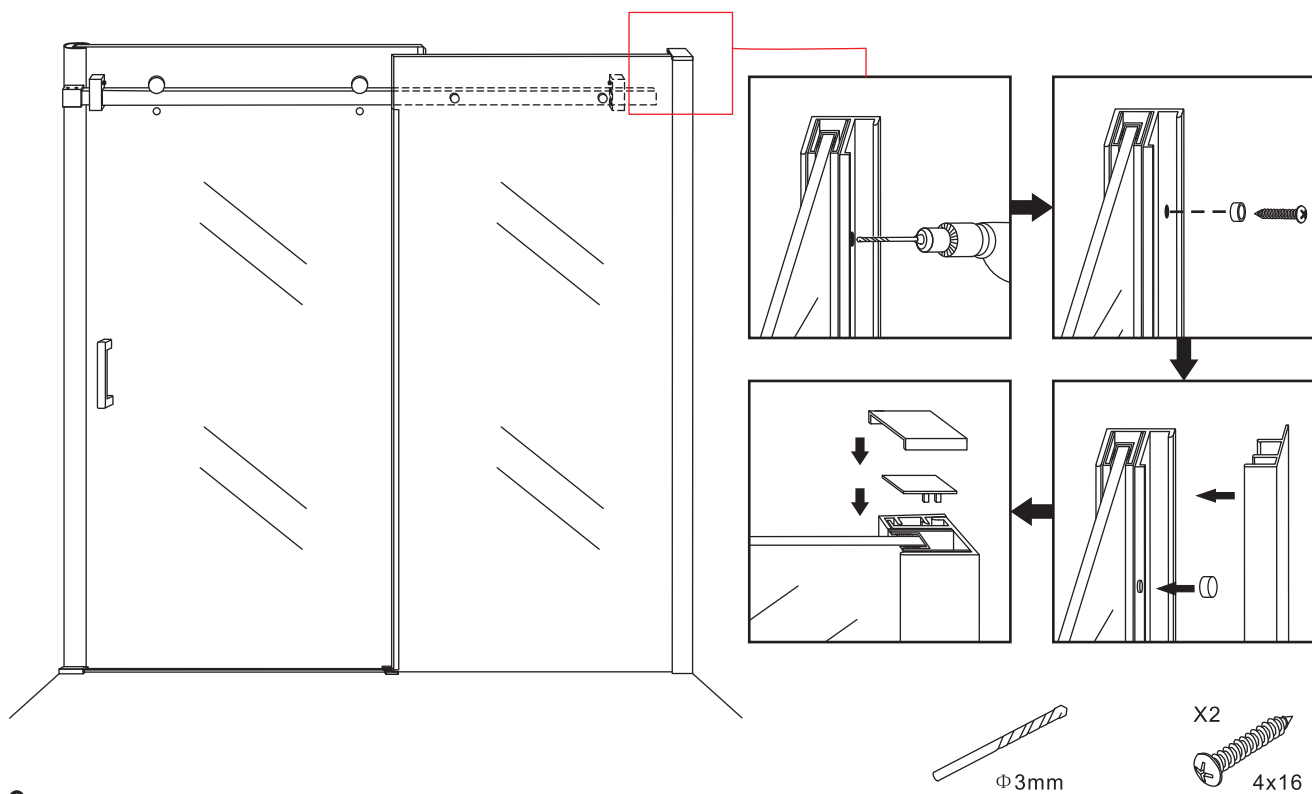
7

1. Install the waterproof.
2. Install the U shape waterproof.



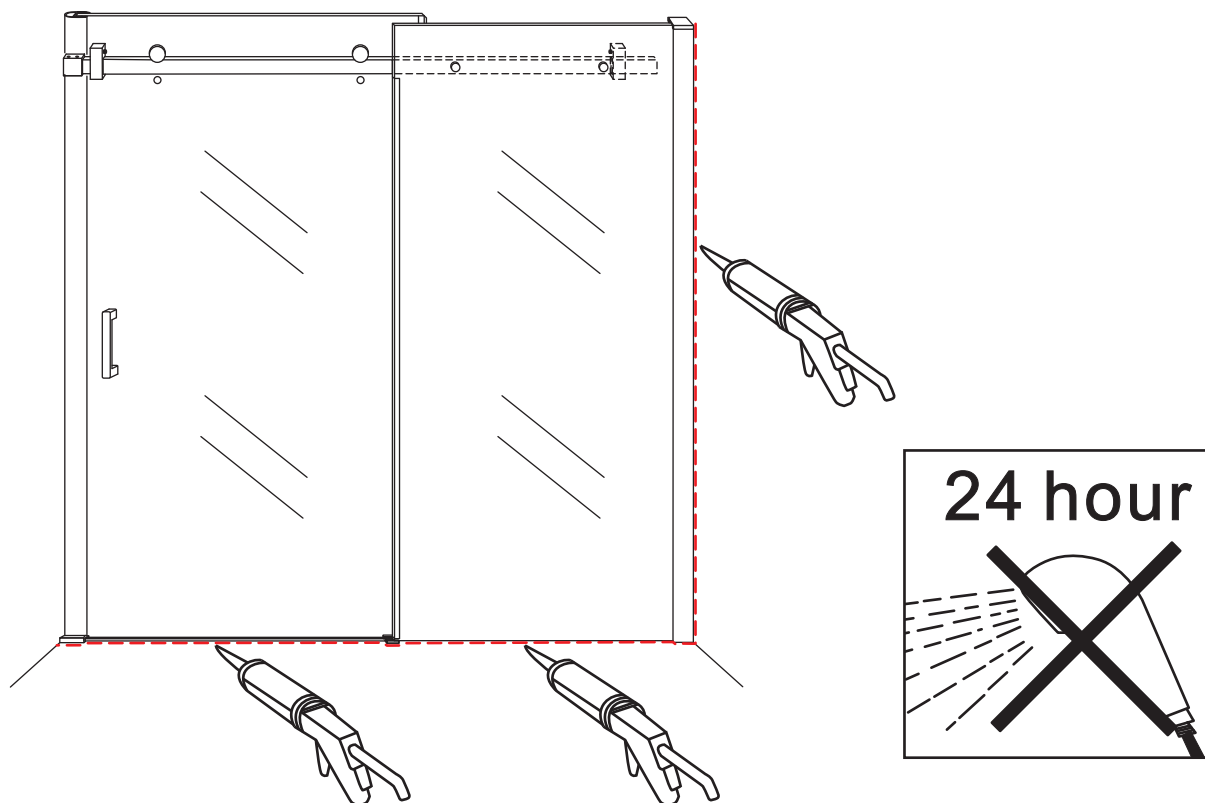
8

1. Install the profile cap .
2. Install the top decoration part .



9

Make the glass gel then make sure without shower in 24hours .



10