

## Rhinoceros XN12-6

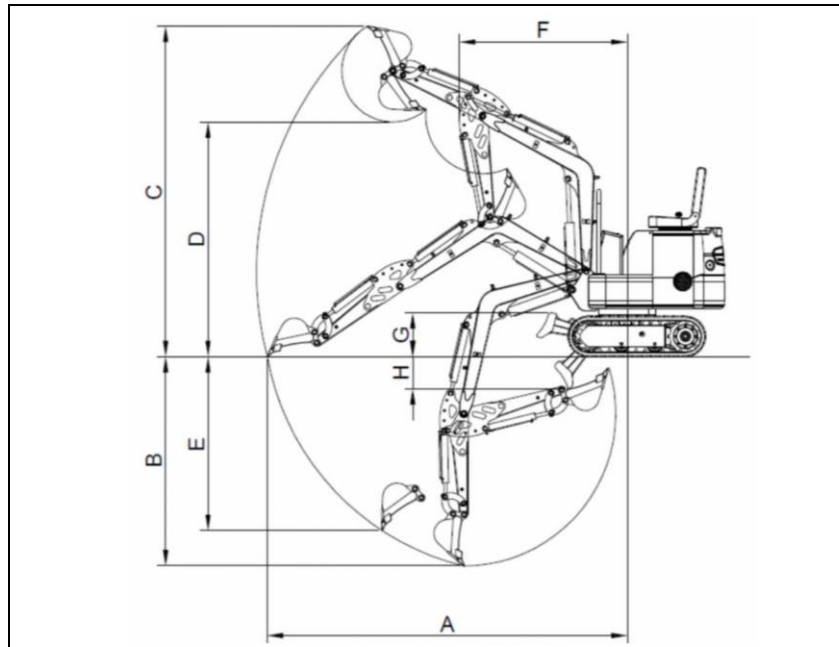
## Specifications

Model	
Brand	Rhinoceros
Model	XN12-6
Operating weight	1040 kg
Digging bucket capacity	0.025 cbm / 100kg
Engine	Kubota 2 Cyl Z482-E4B Euro 5
Rated power	9.5 kw / 3600 rpm
Displacement	479cc
Bore Stroke	67 x 68
Main pump	ZANEDA
Displacement	6.8 ml/r
Swing motor	SJ-TECH (MP-1-160)
Traveling motor	KERSEN (OMS-2450)
Travel speed	1.5 kph

**9.3KW @ 3600rpm**

Kubota Z482 E4B (2 Year Warranty)

Operating Parameters	Unit mm
A Max digging radius on ground	2850
B Max digging depth	1650
C Max digging height	2610
D Max unloading height	1850
E Max vertical digging depth	1375
F Max swing radius	1330
G Max lifting height of dozer blade	345
H Max digging depth of dozer blade	255



Overall Dimensions	Unit mm
A Wheel Track	770
B Overall length of track	1090
C Ground clearance of platform	380
D Ground clearance of platform tail	784
E Chassis width	896
F Crawler width	170
H Crawler height	320
I Transportation height	2770
J Overall height	1330

