



MINI MATERIALS®

MINIMATERIALS.COM • MADE IN THE USA

Mini Materials #JulyMiniFun Tutorial

Building a Picnic Table with Dimensional Lumber



Material List

- 3 qty 2x4x8
- 13 qty 2x6x8
- Glue

Visit MiniMaterials.com for more tutorials, a monthly newsletter and more!



MINI MATERIALS®

MINIMATERIALS.COM • MADE IN THE USA

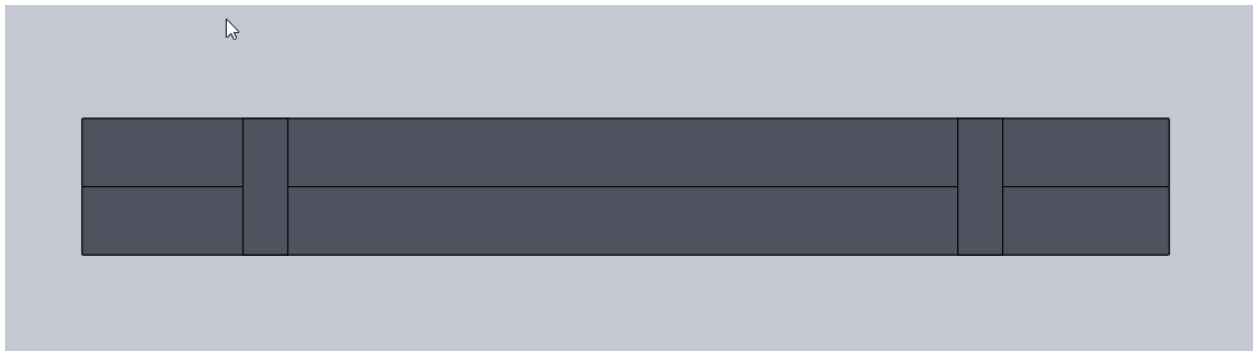
Cut List

- 4 Bench Braces: 2 x 4 x 1
- 4 Table Braces: 2 x 4 x 2.6
- 4 Table Legs: 2 x 6 x 3.5
- 4 Seat Supports: 2 x 6 x 5 with 60 degree angle cut
- Seat and Table Boards: 2 x 6 x 8

Building Steps

Step 1:

Lay 2 Seat Boards next to each other and glue the bench braces on the specified mark on the provided template. Repeat to make two benches.



Step 2:

Lay 5 Table Boards next to each other and glue 1 table brace across each mark on the template.



MINI MATERIALS®

MINIMATERIALS.COM • MADE IN THE USA



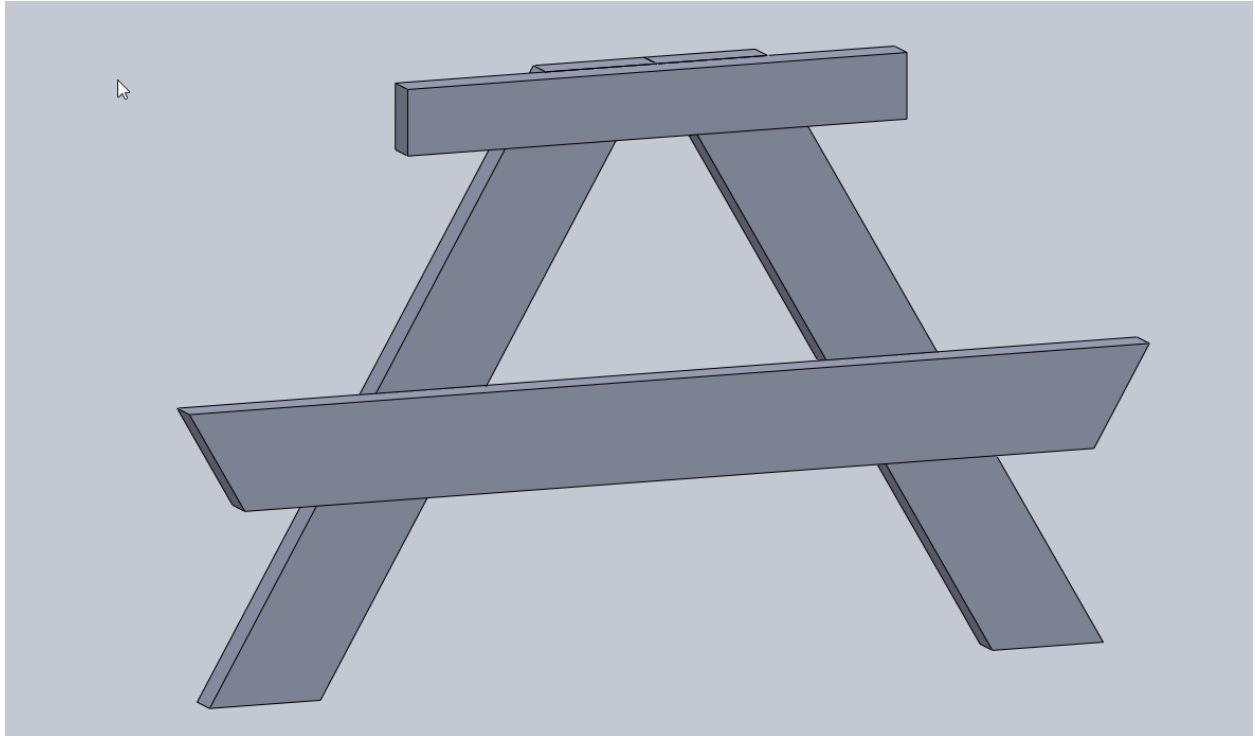
Step 3:

Lay two Table Legs as mirrored images of each other, aligning them at the tops. Center a table brace across the top. Glue the Seat Support with the long side to the top of the triangle where the 1 inch mark intersects with the Table Legs. Repeat.



MINI MATERIALS®

MINIMATERIALS.COM • MADE IN THE USA



Step 4:

Let dry.

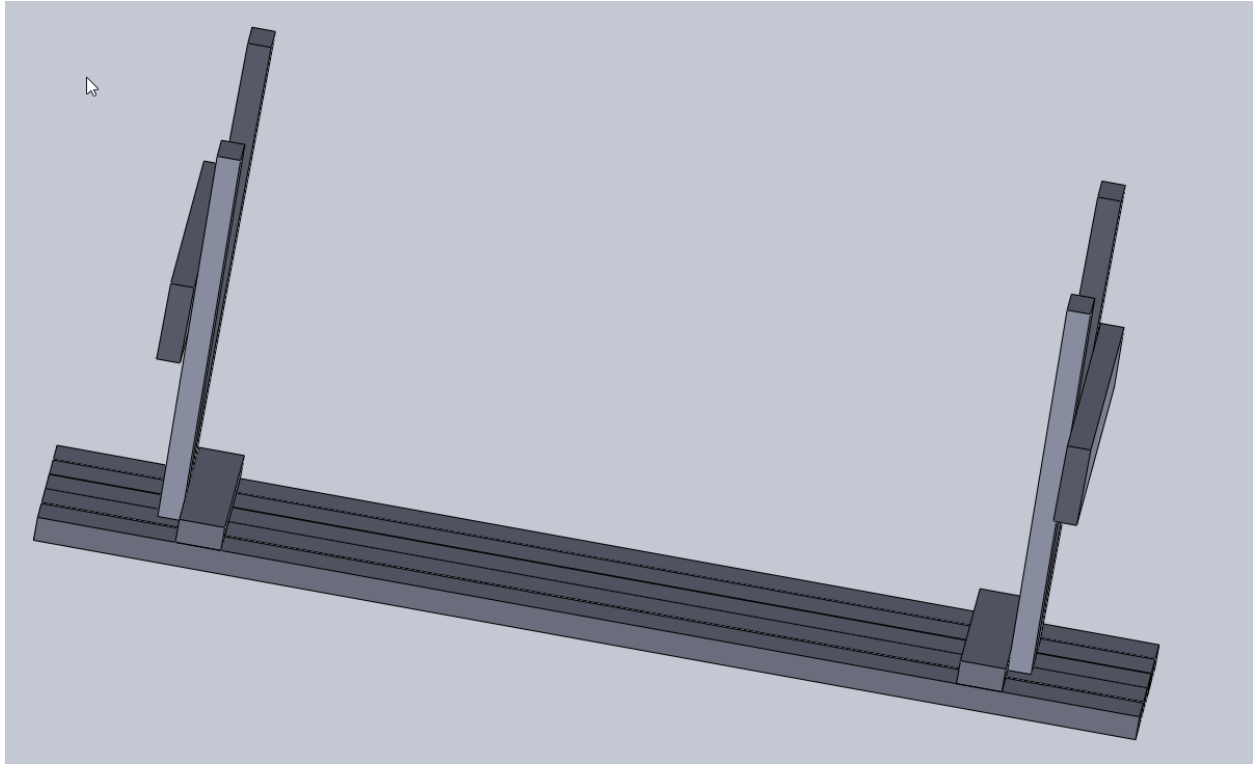
Step 5:

Glue the leg structure to the table board brace perpendicular to the Table Boards. Repeat and let dry.



MINI MATERIALS®

MINIMATERIALS.COM • MADE IN THE USA



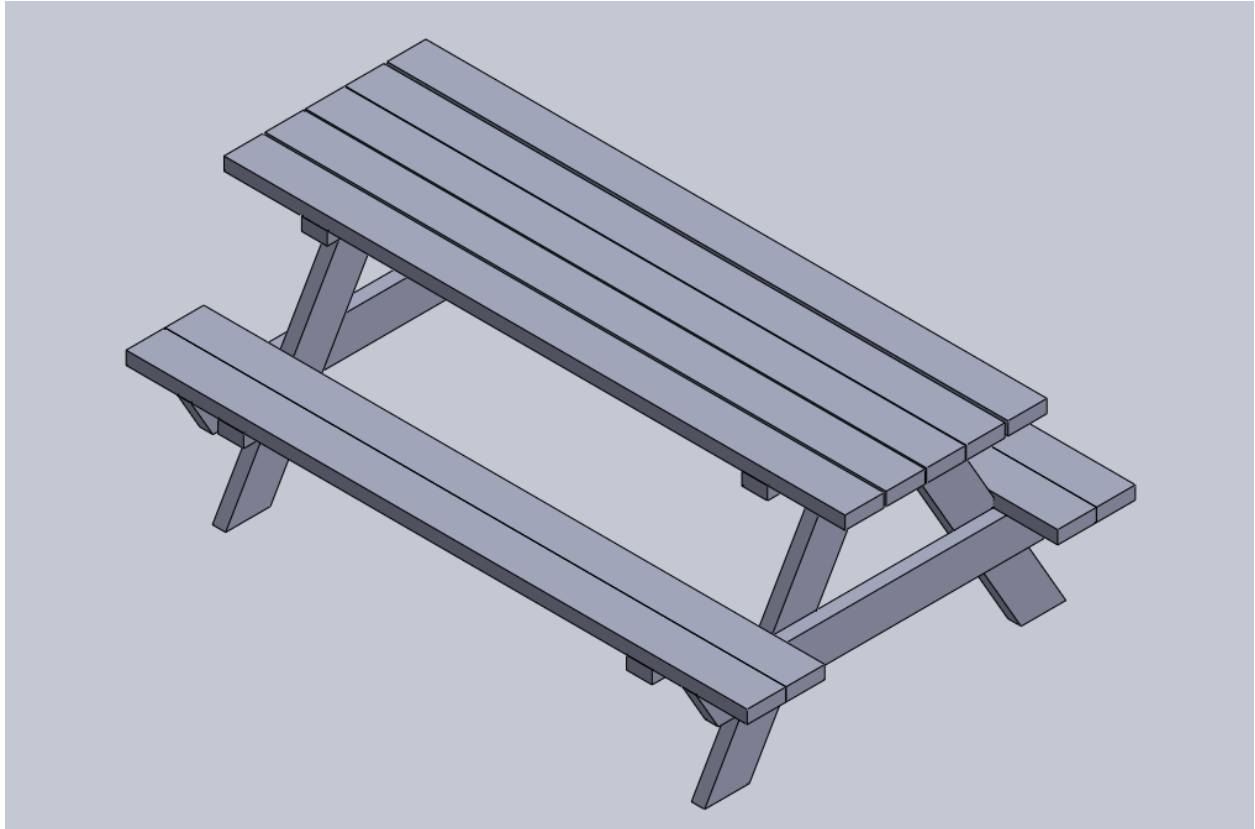
Step 6:

Flip the table over and glue the benches to the table legs.



MINI MATERIALS®

MINIMATERIALS.COM • MADE IN THE USA

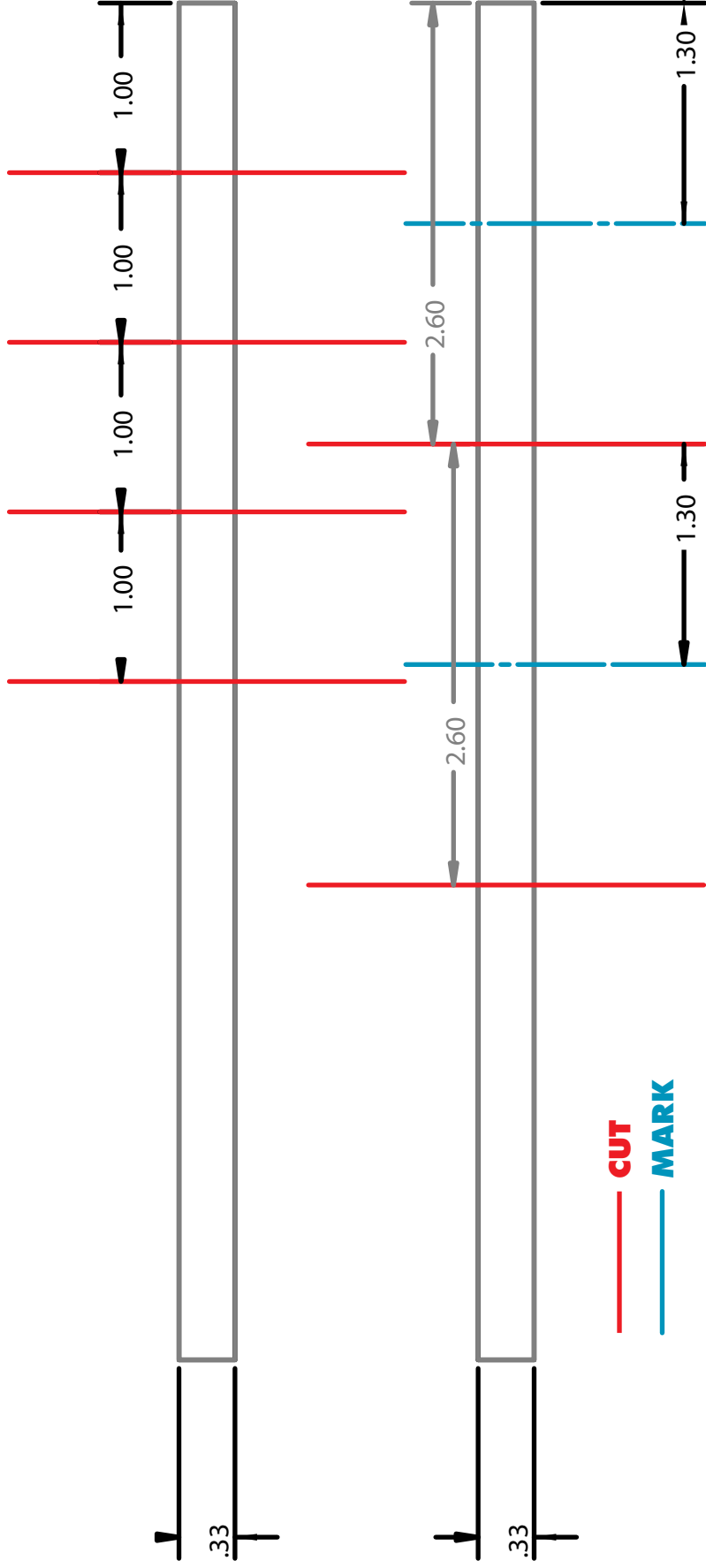


Tips:

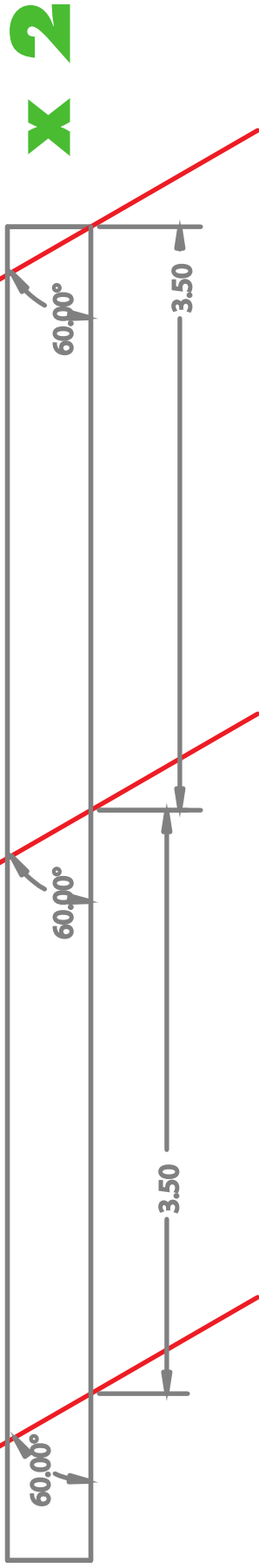
- Always use appropriate safety equipment when working with saws and glue.
- Use a thin blade such as angle scissors or a hack saw to cut the lumber.
- If you'd like to stain the boards do so after cutting, but before gluing.
- If painting, feel free to wait until after assembly.

Visit MiniMaterials.com for more tutorials, a monthly newsletter and more!

2 x 4

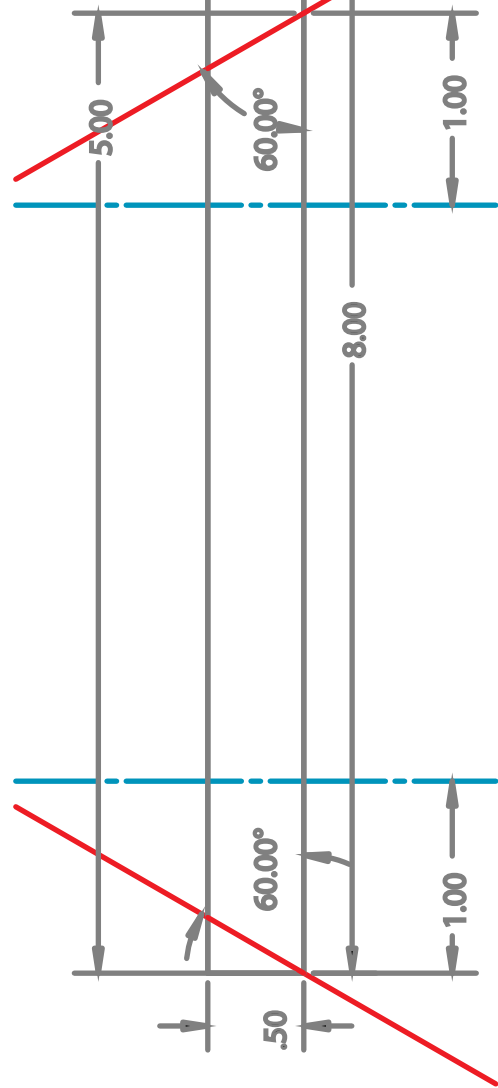


2 x 6

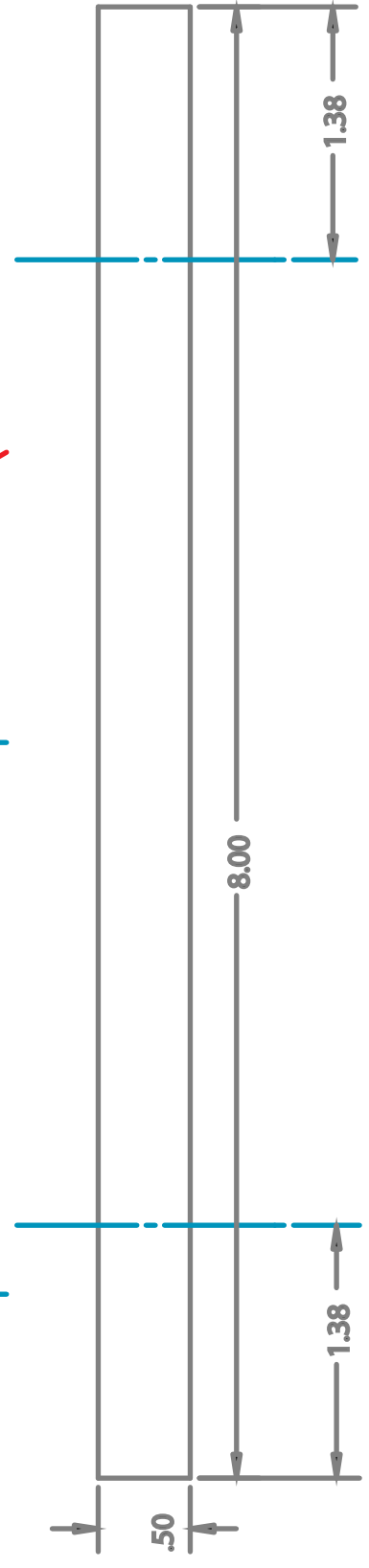


x 2

CUT
MARK



x 2



x 9



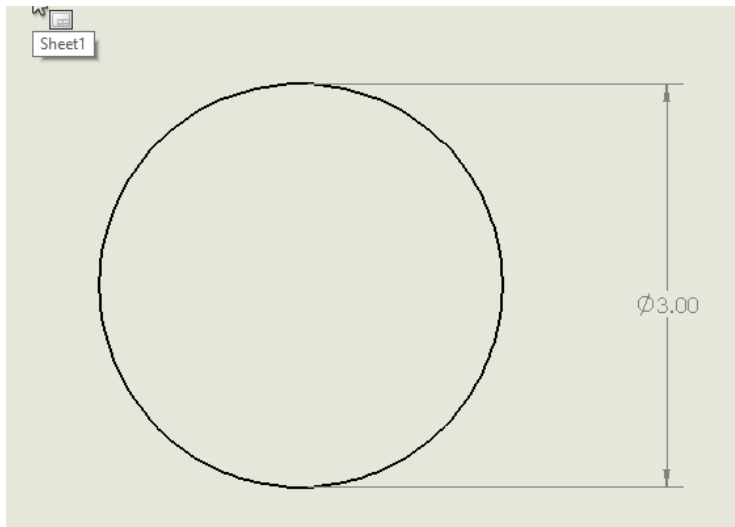
MINI MATERIALS®

MINIMATERIALS.COM • MADE IN THE USA

Mini Fire Pit Build

Material List

- 48 qty Fire Bricks (1 pack)
- 1 qty Jar Mortar
- 1 qty 3" circle base from wood or cardboard (optional)



Step 1:

Stack the stones in a circle (mortar them to the base if you are using one).

Step 2:

Repeat 3 times, spreading an even layer of mortar between each layer.

Step 3:

Let dry overnight.