

MOUNT HANDLE INSTRUCTIONS

Parts List:

- 1) Palm Grip Mount Handle
- 2) Handle Attachment Block
- 3) Parts Bag including:
 - 2 # 10-32 button head screws
 - 1 Allen (Hex) Key



Introduction

Thank you for purchasing the Mount Handle for the Tele Vue Tele-Pod and Panoramic Mount. Adding the handle to the bottom of the cradle will give you more control over the movement in both axes.

Installation:

If you have a Tele-Pod or Panoramic Mount head that has a cradle base pre-drilled to accept the mount handle assembly:

- 1) Hold the Handle Attachment Block under the left or right side (whichever you prefer) of the cradle base and line up with holes.
- 2) Thread in the button head screws and tighten with the supplied Allen Key.

If your Tele-Pod or Panoramic Mount head is NOT pre-drilled for the Mount Handle:

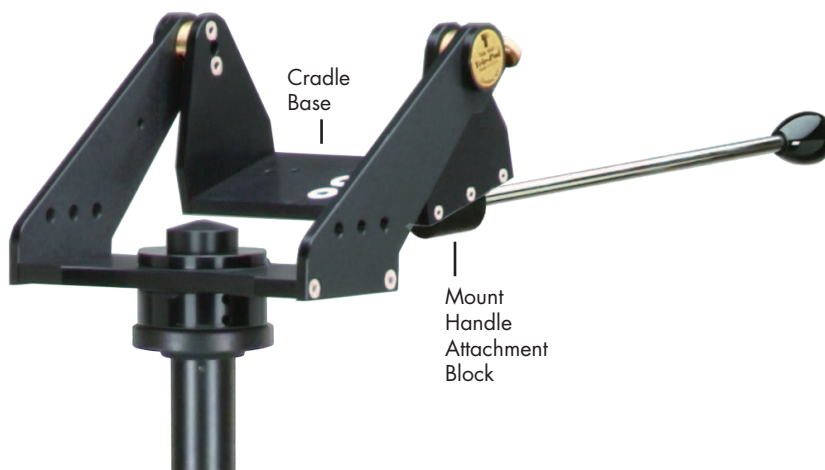
- 1) Using the supplied template as a guide, set your head up on a drill press and drill $3/16$ " diameter clearance holes in either or both sides of the cradle base.
- 2) Hold the Handle Attachment Block under the left or right side (whichever you prefer) of the cradle base and line up with holes.
- 3) Thread in the button head screws and tighten with the supplied Allen Key.

Removal:

For storage, you may unscrew the handle from the adapter block.



Mount Handle attached to Tele-Pod



MOUNT HANDLE DRILLING TEMPLATE

