

# Tele Vue Eyepiece Specifications



All Tele Vue eyepieces listed have proprietary tuned full multi-coatings, blackened lens edges, high index glasses, fold-down eyeguards, rubber grip rings, cover for the eyeguard, an undercut in the barrel for extra locking security and filter threads. All Tele Vue eyepiece lines are proprietary, in-house designs manufactured to our specifications and tolerances. Every eyepiece is individually tested at Tele Vue to ensure it meets our high optical and cosmetic standards.

Prod. Code	1FL (mm)	Eyepiece Type	Barrel (in.)	2E / G	3AF	4G	5ER (mm)	Field Stop (mm)	6Eyepiece Dimensions (in.)						Weight (lb / oz)	Recommended		
									A	B	C	D	E	F		Bino Vue	DIO-PTRX	7Fone-Mate
EPL-55.0	55	Plössl	2"	4 / 2	50		38	46	3		1.4	2.3		1.16	1.13 / 18.1		Y	
EPO-41.0	41	Panoptic	2"	6 / 4	68	A	27	46	3.8		1.1	3		0.27	2.10 / 33.6		Y	Y
EPL-40.0	40	Plössl	1 1/4"	4 / 2	43		28	27	1.8	0.9		1.6		0.7	0.41 / 6.6	Y	Y	
EPO-35.0	35	Panoptic	2"	6 / 4	68	C	24	38.7	3.1		1.2	2.6		0.17	1.60 / 25.6		Y	
EPL-32.0	32	Plössl	1 1/4"	4 / 2	50	B	22	27	1.9	0.9		1.6		0.25	0.39 / 6.2	Y	Y	
EN5-31.0	31	Nagler 5	2"	6 / 4	82		19	42	3.9		1.5	3.3		-0.38	2.20 / 35.2		Y	Y
EPO-27.0	27	Panoptic	2"	6 / 4	68	A	19	30.5	2.4		1.2	2.1		0.29	1.03 / 16.4		Y	
EAP-25.0	25	Plössl	1 1/4"	4 / 2	50	B	17	21.2	1.6	0.9		1.3		0.25	0.27 / 4.3	Y	N	
EPO-24.0	24	Panoptic	1 1/4"	6 / 4	68	B	15	27	2.1	0.8		1.9		0.25	0.51 / 8.2	Y	Y*	
EN4-22.0	22	Nagler 4	2"	7 / 5	82		19	31.1	2.4		1.5	2.4		-0.29	1.50 / 24.0		Y	Y
ETH-21.0	21	Ethos	2"	/	100		15	36.2	4.3		1.62	2.95		-0.38	2.25 / 36.0		Y	Y
EAP-20.0	20	Plössl	1 1/4"	4 / 2	50	B	14	17.1	1.2	0.9		1.3		0.25	0.19 / 3.0	Y	N	
Prod. Code	1FL (mm)	Eyepiece Type	Barrel (in.)	2E / G	3AF	4G	5ER (mm)	Field Stop (mm)	6Eyepiece Dimensions (in.)						Weight (lb / oz)	Recommended		
									A	B	C	D	E	F		Bino Vue	DIO-PTRX	7Fone-Mate
EPO-19.0	19	Panoptic	1 1/4"	6 / 4	68	B	13	21.3	1.7	0.9		1.7		0.25	0.41 / 6.6	Y	Y*	
EDE-18.2	18.2	DeLite	1 1/4"	/	62	B	20	19.1	1.9	1.1		1.9		0.25	0.48 / 7.6	Y	Y	Y
EDL-17.3	17.3	Delos	1 1/4"	/	72		20	21.2	3.1	1.1		2.2		-0.23	0.90 / 14.4	Y	Y	Y
ETH-17.0	17	Ethos	2"	/	100		15	29.6	4.5		1.4	2.44		-0.39	1.55 / 24.8		Y	Y
EN4-17.0	17	Nagler 4	2"	7 / 5	82		17	24.3	2.6		1.5	2.4		-0.03	1.60 / 25.6		Y	Y
EN5-16.0	16	Nagler 5	1 1/4"	6 / 4	82	B	10	22.1	1.5	1.2		1.7		0.28	0.44 / 7.1	Y	N	
EDE-15.0	15	DeLite	1 1/4"	/	62	B	20	16	2	1.1		1.9		0.25	0.47 / 7.5	Y	Y	Y
EAP-15.0	15	Plössl	1 1/4"	4 / 2	50	B	10	12.6	0.9	0.9		1.3		0.25	0.16 / 2.6	Y	N	
EDL-14.0	14	Delos	1 1/4"	/	72		20	17.3	3.5	0.9		2.2		-0.23	0.90 / 14.4	Y	Y	Y
ETH-13.0	13	Ethos	2" & 1 1/4"	/	100		15	22.3	4	1.6	1.1	2.44	1.1	0.27	1.30 / 20.8	Y	Y	Y
EN6-13.0	13	Nagler 6	1 1/4"	7 / 4	82	B	12	17.6	1.6	1.3		1.6		0.25	0.40 / 6.4	Y	Y*	
EDE-13.0	13	DeLite	1 1/4"	/	62	B	20	13.8	2.3	1.1		1.9		0.25	0.49 / 7.8	Y	Y	Y
EDL-12.0	12	Delos	1 1/4"	/	72	B	20	15	3.1	1.2		2.2		0.25	0.90 / 14.4	Y	Y	Y
Prod. Code	1FL (mm)	Eyepiece Type	Barrel (in.)	2E / G	3AF	4G	5ER (mm)	Field Stop (mm)	6Eyepiece Dimensions (in.)						Weight (lb / oz)	Recommended		
									A	B	C	D	E	F		Bino Vue	DIO-PTRX	7Fone-Mate
EDE-11.0	11	DeLite	1 1/4"	/	62	B	20	11.7	2.3	1.1		1.9		0.25	0.44 / 7.1	Y	Y	Y
EAP-11.0	11	Plössl	1 1/4"	4 / 2	50	B	8	9.1	0.5	0.9		1.4		0.25	0.14 / 2.2	Y	N	
ETH-10.0	10	Ethos	2" & 1 1/4"	/	100		15	17.7	3.8	1.6	1.1	2.3	1.1	0.27	1.10 / 17.6	Y	Y	Y
EDL-10.0	10	Delos	1 1/4"	/	72	B	20	12.7	3.5	1.1		2.2		0.25	0.90 / 14.4	Y	Y	Y
EN6-09.0	9	Nagler 6	1 1/4"	7 / 4	82	B	12	12.4	1.9	1.2		1.6		0.25	0.42 / 6.7	Y	Y*	
EDE-09.0	9	DeLite	1 1/4"	/	62	B	20	9.6	2.4	1.1		1.9		0.25	0.46 / 7.3	Y	Y	Y
ETH-08.0	8	Ethos	2" & 1 1/4"	/	100		15	13.9	3.3	1.7	0.94	2.1	1.2	0.7	0.95 / 15.2	Y	Y	Y
EDL-08.0	8	Delos	1 1/4"	/	72	B	20	9.9	3.6	1.2		2.2		0.25	1.00 / 16.0	Y	Y	Y
EAP-08.0	8	Plössl	1 1/4"	4 / 2	50	B	6	6.5	0.4	0.9		1.4		0.25	0.11 / 1.8	Y	N	
EN6-07.0	7	Nagler 6	1 1/4"	7 / 4	82	B	12	9.7	2.2	1.2		1.6		0.25	0.50 / 8.0	Y	Y*	
EDE-07.0	7	DeLite	1 1/4"	/	62	B	20	7.5	2.6	1.1		1.9		0.25	0.46 / 7.3	Y	Y	Y
ENZ-0306	6-3	Nagler Zoom	1 1/4"	5 / 3	50	B	10	5.1-2.6	0.7	1.6		1.7		0.25	0.33 / 5.3	Y	N	
Prod. Code	1FL (mm)	Eyepiece Type	Barrel (in.)	2E / G	3AF	4G	5ER (mm)	Field Stop (mm)	6Eyepiece Dimensions (in.)						Weight (lb / oz)	Recommended		
									A	B	C	D	E	F		Bino Vue	DIO-PTRX	7Fone-Mate
ETH-06.0	6	Ethos	2" & 1 1/4"	/	100		15	10.4	3.5	1.5	0.94	2.1	1.1	0.7	0.97 / 15.5	Y	Y	Y
EDL-06.0	6	Delos	1 1/4"	/	72	B	20	7.6	4.1	1.1		2.2		0.25	1.00 / 16.0	Y	Y	Y
EN6-05.0	5	Nagler 6	1 1/4"	7 / 4	82	B	12	7	2.1	1.2		1.6		0.25	0.49 / 7.9	Y	Y*	
EDE-05.0	5	DeLite	1 1/4"	/	62	B	20	5.3	3	1.1		1.9		0.25	0.47 / 7.5	Y	Y	Y
ETH-04.7	4.7	Ethos SX	2" & 1 1/4"	/	110		15	8.94	5.4	0.9		2.2		0.25	1.30 / 20.8	Y	Y	Y
EDL-04.5	4.5	Delos	1 1/4"	/	72	B	20	5.6	4	1.1		2.2		0.25	1.10 / 17.6	Y	Y	Y

EDE-04.0	4	DeLite	1¼"	/	62	B	20	4.3	3.1	1.1		1.9		0.25	0.48 / 7.6	Y	Y	Y
ETH-03.7	3.7	Ethos SX	2" & 1¼"	/	110		15	7.04	5	1.1		2.2		0.25	1.10 / 17.6	Y	Y	Y
EN6-03.5	3.5	Nagler 6	1¼"	7 / 4	82	B	12	4.8	2.2	1.2		1.6		0.25	0.53 / 8.5	Y	Y*	
EDL-03.5	3.5	Delos	1¼"	/	72	B	20	4.4	4.2	1.1		2.2		0.25	1.10 / 17.6	Y	Y	Y
EDE-03.0	3	DeLite	1¼"	/	62	B	20	3.2	3.1	1.1		1.9		0.25	0.49 / 7.8	Y	Y	Y

### Table Notes

<sup>1</sup>FL: Focal Length

<sup>2</sup>E / G: # Lens Elements / # Groups

<sup>3</sup>AF: Apparent Field of View

<sup>4</sup>G: Parfocal Group, eyepieces with the same letter are approximately parfocal -- require little (if any) refocusing when used together.

<sup>5</sup>ER: Eye Relief

<sup>6</sup>Eyepiece Dimensions: see diagram

\***Additional adapter** required for DioptRx™ attachment

<sup>7</sup>While the FoneMate™ will fit on any eyepiece that accepts DIOPTRX™, we have recommended only eyepieces most likely to show full illuminated fields:

all DeLite, Delos, & Ethos, plus Panoptic 41, & Naglers 31, 22, & 17.

#### Eyepiece Diagram (right)

**A:** Height of barrel above reference surface

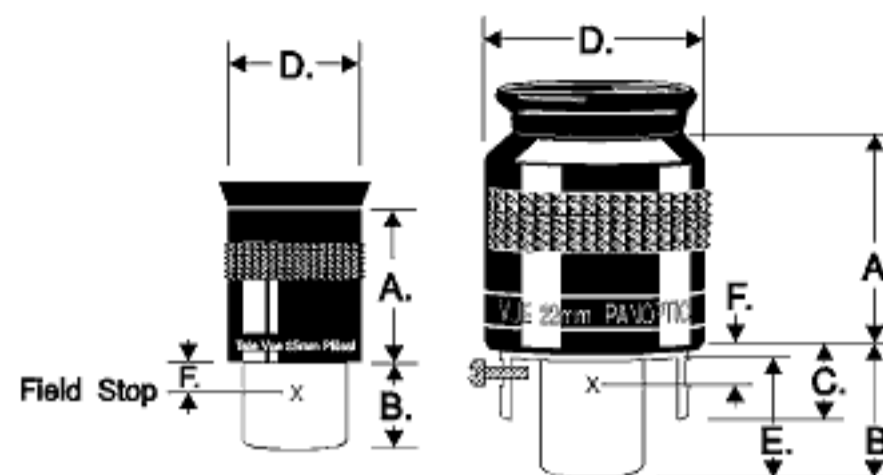
**B:** Height of 1¼" barrel

**C:** Height of 2" barrel

**D:** Diameter of black barrel

**E:** Depth of 1¼" barrel

**F:** Approx. location of field stop (negative number is above reference surface)



### Tele Vue Eyepiece Notes

- True Field in degrees of an eyepiece can be calculated from the field stop diameter and telescope focal length:

$$\text{True Field (°)} = 57.3^\circ \times \text{eyepiece field stop} / \text{telescope focal length}$$

All Nagler, Radian, Ethos, Delos, and DeLite eyepieces have internal focal planes. Field stop diameters and locations are "effective". Radian and Nagler type-4 eyepieces have "Instajust Eyeguards," and "pupil guide" accessory. Delos and DeLite eyepieces have an adjustable/lockable eyeguard.

- The 55mm Plössl and 41mm Panoptic eyepieces have an adjustable height (removable) eyeguard.
- Also available: 2X and 3X parfocal 1¼" Barlows; parfocal 2.5x and 5x 1¼" Powermates; 2X Big Barlow, 2x and 4x Powermates for 2" focusers. Use Paracorr (1.15X) to correct fast parabolic "Dob/Newts", dramatically sharpens field to take full advantage of Tele Vue eyepiece capabilities.
- All dual barrel eyepieces work equally well in 1¼" or 2" focusers.

## Discontinued or Unavailable Eyepiece Archive

For your convenience, this table lists older eyepieces that are currently no longer available.

Prod. Code	¹FL (mm)	Eyepiece Type	Barrel (in.)	²E / G	³AF	⁴G	⁵ER (mm)	Field Stop (mm)	⁶Eyepiece Dimensions (in.)						Weight (lb / oz)	Recommended		
									A	B	C	D	E	F		Bino Vue	DIO-PTRX	⁷Fone-Mate
EWF-40.0	40	Wide Field (disc)	2"	0 / 0	65		24	41.2	3.5	1.51		2.64			2.00 / 32.0		N	
EWF-32.0	32	Wide Field (disc)	2"	0 / 0	65		19	33	2.75	1.38		2.28			1.10 / 17.6		N	
EN5-26.0	26	Nagler 5 (disc)	2"	6 / 4	82		16	35	3		1.5	2.8		-0.05	1.60 / 25.6		Y	
EPL-26.0	26	Plössl (disc)	1¼"	0 / 0	50		18	22.1	1.5	0.88		1.32			0.30 / 4.8	Y	N	
DCZ-2408	24-8	Click Zoom DX-Ready(disc)	1¼"	7 / 4	40-55		20-15	16.7-7.6	2.6	1		1.7		0.1	0.49 / 7.9	Y	Y	
CSZ-0824	24-8	Click Stop Zoom	1¼"	7 / 4	40-55		20-15	16.7-7.6	2.6	1		1.7		0.1	0.49 / 7.9	Y	N	
EWF-24.0	24	Wide Field (disc)	1¼"	0 / 0	65		14	24.7	1.91	0.88		1.78			0.50 / 8.0	Y	N	
EPO-22.0	22	Panoptic (disc)	2" & 1¼"	6 / 4	68	A	15	25	2	1.7	1	2.1	1.3	0.27	0.96 / 15.4		Y	
EPL-21.0	21	Plössl (disc)	1¼"	0 / 0	50		14	18.1	1.18	0.88		1.32			0.20 / 3.2	Y	N	
EN5-20.0	20	Nagler 5 (disc)	2"	6 / 4	82	C	12	27.4	2.1		1.3	2.1		0.15	1.04 / 16.6		Y*	
EN2-20.0	20	Nagler 2 (disc)	2"	0 / 0	82		12	27.4	3.5	1.5		2.64			2.30 / 36.8		N	
EWF-19.0	19	Wide Field (disc)	1¼"	0 / 0	65		11	19.6	1.46	0.88		1.33			0.30 / 4.8	Y	N	
ERD-18.0	18	Radian (disc)	1¼"	6 / 4	60	B	20	18.3	1.4	1.4		1.8		0.25	0.49 / 7.8	Y	Y	Y
EPL-17.0	17	Plössl (disc)	1¼"	0 / 0	50		12	14.3	0.9	0.88		1.32			0.20 / 3.2	Y	N	
EN2-16.0	16	Nagler 2 (disc)	2" & 1¼"	0 / 0	82		10	21.9	2.32	1.93	1.11	2.17			1.00 / 16.0		N	
Prod. Code	¹FL (mm)	Eyepiece Type	Barrel (in.)	²E / G	³AF	⁴G	⁵ER (mm)	Field Stop (mm)	⁶Eyepiece Dimensions (in.)						Weight (lb / oz)	Recommended		
									A	B	C	D	E	F		Bino Vue	DIO-PTRX	⁷Fone-Mate
EPO-15.0	15	Panoptic (disc)	1¼"	6 / 4	68	B	10	17.1	1.3	0.9		1.4		0.25	0.30 / 4.8	Y	N	
EWF-15.0	15	Wide Field (disc)	1¼"	0 / 0	65		9	15.4	1.27	0.88		1.33			0.30 / 4.8	Y	N	
ERD-14.0	14	Radian (disc)	1¼"	6 / 4	60	B	20	14.4	1.6	1.4		1.8		0.25	0.54 / 8.7	Y	Y	Y
ENA-13.0	13	Nagler Original (disc)	2" & 1¼"	0 / 0	82		18	17.8	3.56	1.75	1	2.44	1.4	0.31	1.40 / 22.4		N	
EPL-13.0	13	Plössl (disc)	1¼"	0 / 0	50		9	10.9	0.65	0.88		1.32			0.20 / 3.2	Y	N	
EN2-12.0	12	Nagler 2 (disc)	2" & 1¼"	0 / 0	82		11	16.4	2.57	1.93	1.1	2.17			1.10 / 17.6		N	

EN4-12.0	12	Nagler 4 (disc)	2" & 1¼"	6 / 4	82		17	17.1	2.3	1.8	1	2.4	1.2	0.78	1.01 / 16.2		Y	
ERD-12.0	12	Radian (disc)	1¼"	6 / 4	60	B	20	12.6	1.8	1.1		1.8		0.25	0.53 / 8.5	Y	Y	Y
EN6-11.0	11	Nagler 6 (disc)	1¼"	7 / 4	82	B	12	14.9	1.7	1.2		1.6		0.25	0.42 / 6.7	Y	Y*	
ENA-11.0	11	Nagler Original (disc)	2" & 1¼"	0 / 0	82		15	14.9							0.00 / 0.0		N	
EPL-10.5	10.5	Plössl (disc)	1¼"	0 / 0	50		7	8.7	0.47	0.88		1.32			0.10 / 1.6	Y	N	
ERD-10.0	10	Radian (disc)	1¼"	6 / 4	60	B	20	10.5	1.9	1.2		1.8		0.25	0.54 / 8.7	Y	Y	Y
ENA-09.0	9	Nagler Original (disc)	2" & 1¼"	0 / 0	82		12	12.3	2.05	1.75	1	1.81			0.70 / 11.2		N	
ERD-08.0	8	Radian (disc)	1¼"	6 / 4	60	B	20	8.3	2.2	1.2		1.8		0.25	0.60 / 9.6	Y	Y	Y
Prod. Code	1FL (mm)	Eyepiece Type	Barrel (in.)	2E / G	3AF	4G	5ER (mm)	Field Stop (mm)	6Eyepiece Dimensions (in.)						Weight (lb / oz)	Recommended		
									A	B	C	D	E	F		Bino Vue	DIO-PTRX	7Fone-Mate
EPL-07.4	7.4	Plössl (disc)	1¼"	0 / 0	50		5	6.2	0.26	0.88		1.32			0.10 / 1.6	Y	N	
ENA-07.0	7	Nagler Original (disc)	1¼"	7 / 4	82	B	10	9.4	1.9	1.1		1.3		0.25	0.41 / 6.5	Y	N	
ERD-06.0	6	Radian (disc)	1¼"	7 / 5	60	B	20	6.3	2.5	1.3		1.8		0.25	0.79 / 12.6	Y	Y	Y
ERD-05.0	5	Radian (disc)	1¼"	7 / 5	60	B	20	5.3	2.6	1.2		1.8		0.25	0.80 / 12.8	Y	Y	Y
ENA-04.8	4.8	Nagler Original (disc)	1¼"	7 / 4	82	B	7	6.6	1.3	1.1		1.3		0.25	0.33 / 5.3	Y	N	
ENZ-0204	4-2	Nagler Zoom (disc)	1¼"	5 / 3	50	B	10	3.3-1.7	0.9	1.6		1.7		0.25	0.36 / 5.7	Y	N	
ERD-04.0	4	Radian (disc)	1¼"	7 / 5	60	B	20	4.2	2.6	1		1.8		0.25	0.76 / 12.1	Y	Y	Y
ERD-03.0	3	Radian (disc)	1¼"	7 / 5	60	B	20	3.3	2.7	1.1		1.8		0.25	0.77 / 12.3	Y	Y	Y
EN6-02.5	2.5	Nagler 6 (disc)	1¼"	7 / 4	82	B	12	3.4	2.3	1.2		1.6		0.25	0.54 / 8.7	Y	Y*	