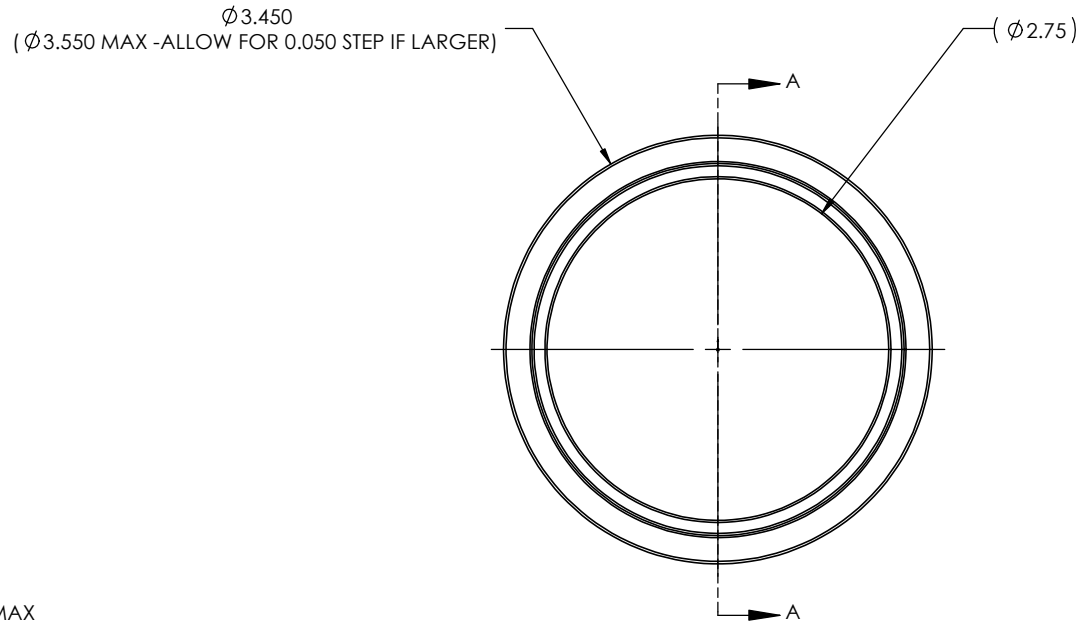


SECTION A-A



8 7 6 5 4 3 2 1

D

D

C

C

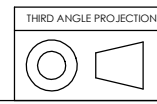
B

B

A

A

REVISIONS			
REV.	DESCRIPTION	DATE	APPROVED
A	INITIAL RELEASE	04/22/2019	LD



UNLESS OTHERWISE SPECIFIED:	DRAWN	NAME	DATE	Optec Inc. TITLE: OPTEC-3000-S DOVETAIL SIZE B DWG. NO. SCALE: 1:1 WEIGHT: SHEET 1 OF 1
DIMENSIONS ARE IN INCHES TWO PLACE DECIMAL ±.007 THREE PLACE DECIMAL ±.003	CHECKED	LD	04/22/19	
MATERIAL	ENG APPR.			
N/A	MFG APPR.			
FINISH	Q.A.			
DO NOT SCALE DRAWING	CONTRACT		DOVETAIL DOCUMENTATION	

8 7 6 5 4 3 2 1