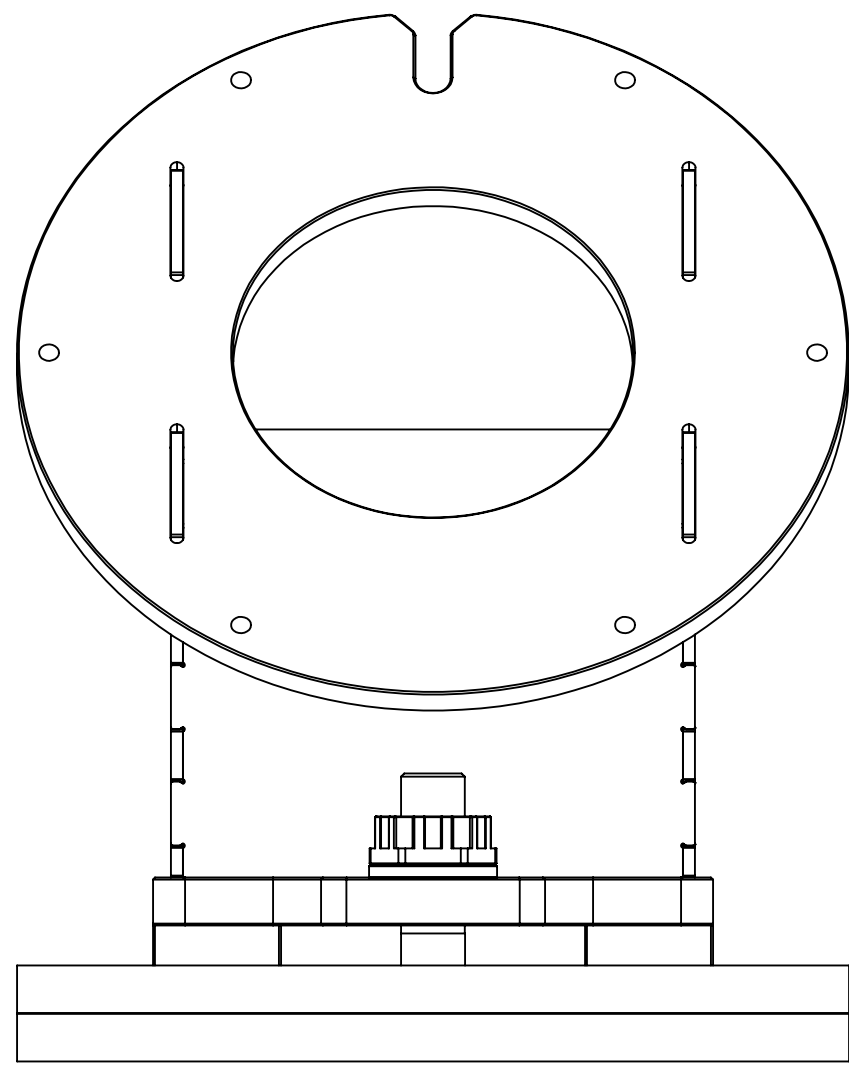
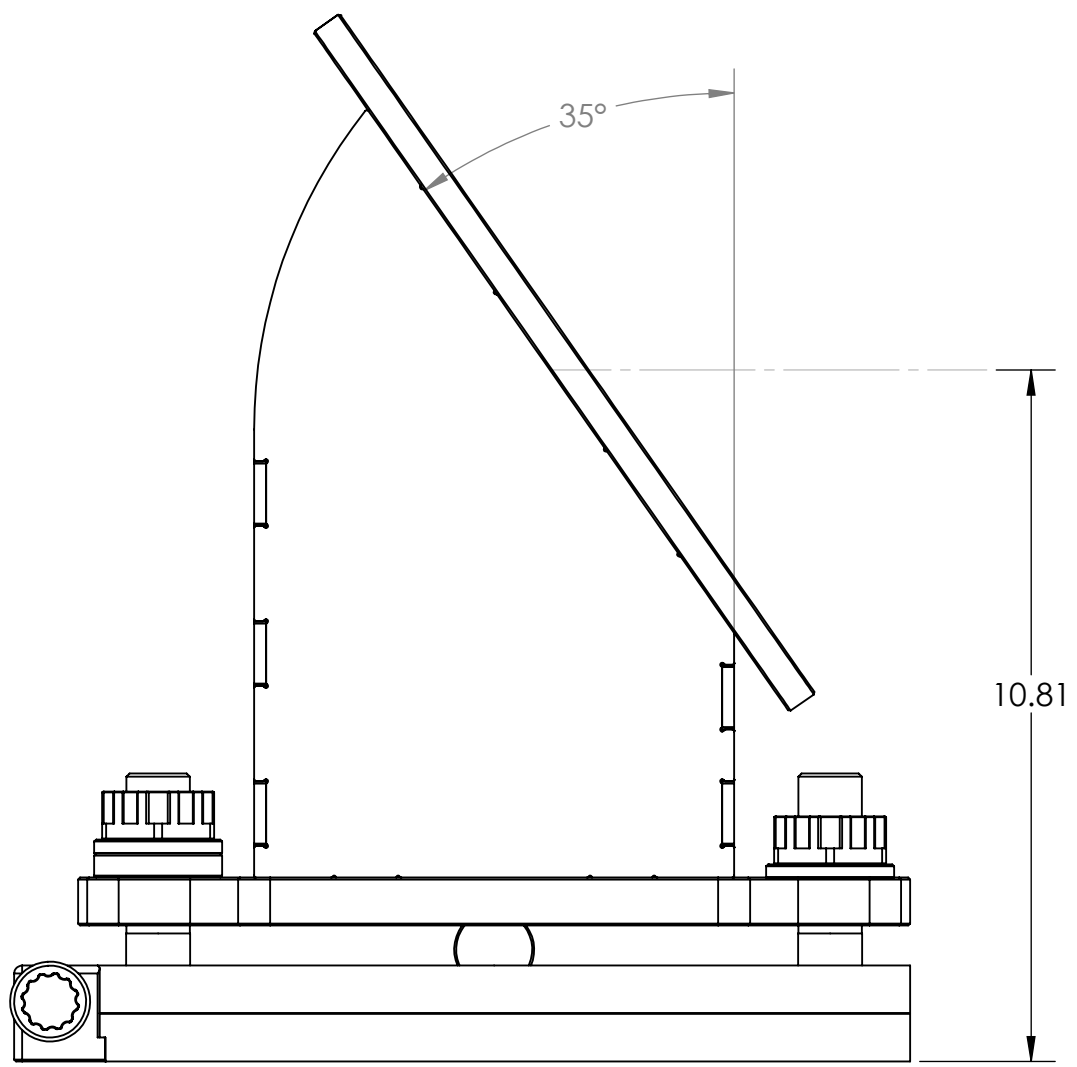


8 7 6 5 4 3 2 1

(A)

REVISIONS				
ZONE	REV.	DESCRIPTION	DATE	APPROVED
B2	A	INITIAL RELEASE	5/14/2019	DNG

D
C
B
A



WEDGE ANGLE (DEG)	HEIGHT TO CENTER OF MOUNTING SURFACE (IN)
20	11.39
25	11.23
30	11.03
35	10.81
40	10.35
45	10.25

D
C
B
A

8 7 6 5 4 3 2 1

PROPRIETARY AND CONFIDENTIAL
 THE INFORMATION CONTAINED IN THIS DRAWING IS THE SOLE PROPERTY OF PLANEWAVE INSTRUMENTS. ANY REPRODUCTION IN PART OR AS A WHOLE WITHOUT THE WRITTEN PERMISSION OF PLANEWAVE INSTRUMENTS IS PROHIBITED.

UNLESS OTHERWISE SPECIFIED TOLERANCES		
DECIMAL DIM .XXXX ±.0005 .XXX ±.005 .XX ±.02	ANGULAR DIM MACHINED ±0° 30' LOCATING ±0° 30' FORMED ±1° CHAMFERS ±5°	
DRAWN	NAME	DATE
CHECKED	DNG	2/7/2018
ENG APPR.		
MATERIAL WELDMENT		
FINISH POWDER COAT		
QUANTITY	1	

PlaneWave Instruments		
TITLE		
L350205 (L350 WEDGE) MOUNTING SURFACE HEIGHTS		
SIZE	DWG. NO.	REV.
B	L350205 (L350 WEDGE)	A
SCALE: 1:8	CAD FILE: L350205 (L350 WEDGE)	SHEET 1 OF 1