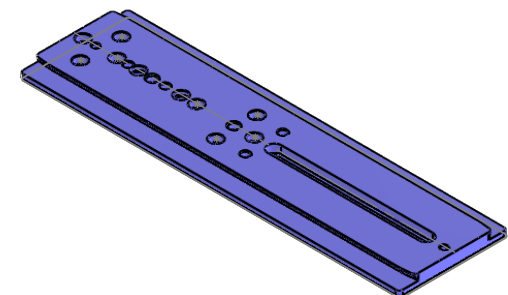


2

1



Hole Identification

1/4 - 20 TYP x 2 (A)

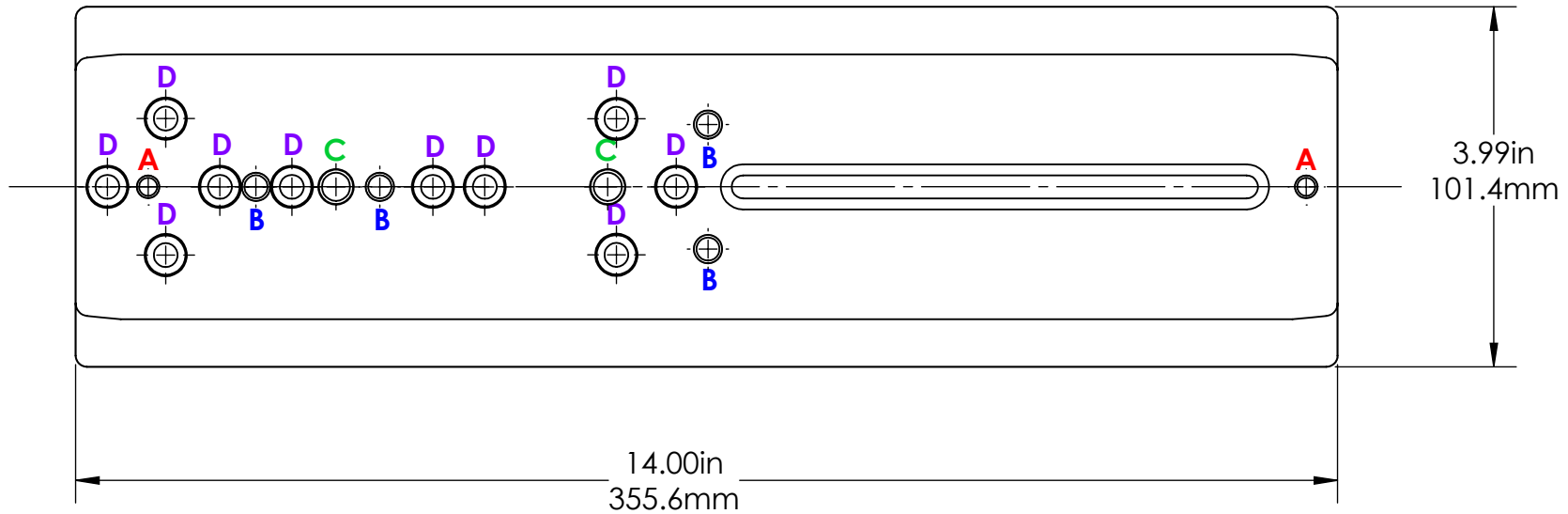
5/16 - 18 TYP x 4 (B)

3/8 - 16 TYP x 2 (C)

Unthreaded: 2.66 thru, .4375 counterbore x 10 places (D)

B

B



A

A



FDUP

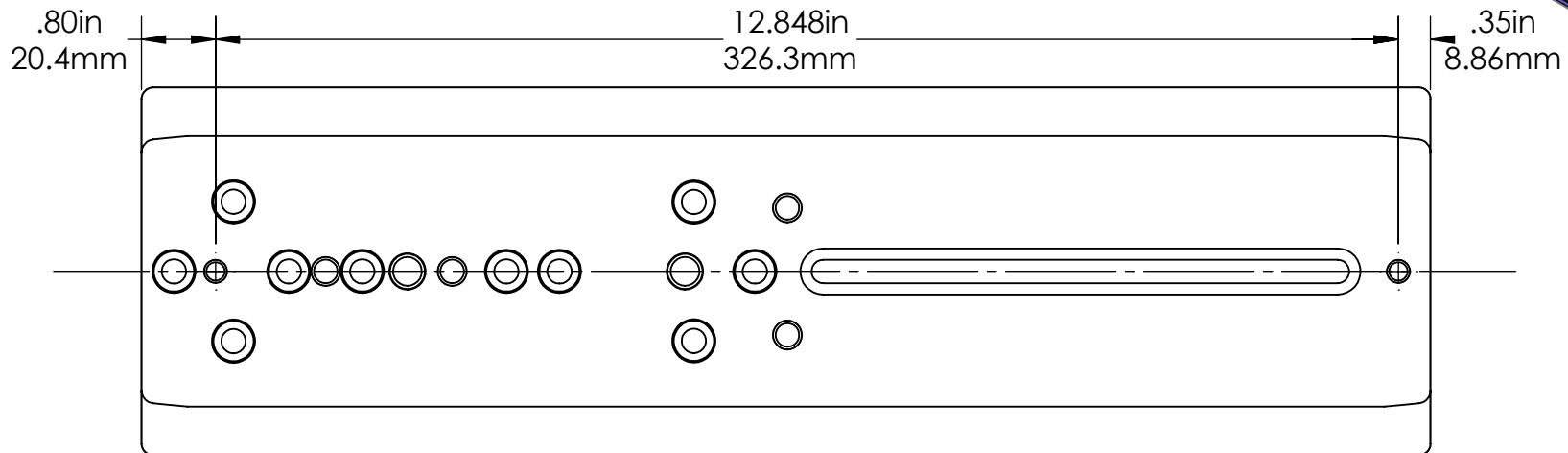
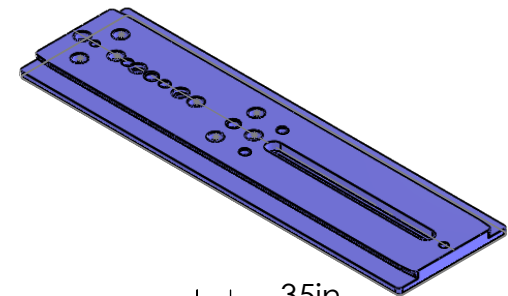
2

1

2

1

1/4-20 Hole Spacing



B

B

A

A



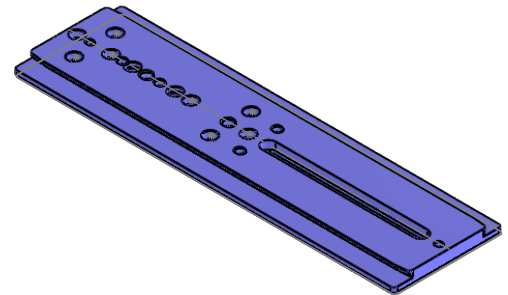
FDUP

2

1

2

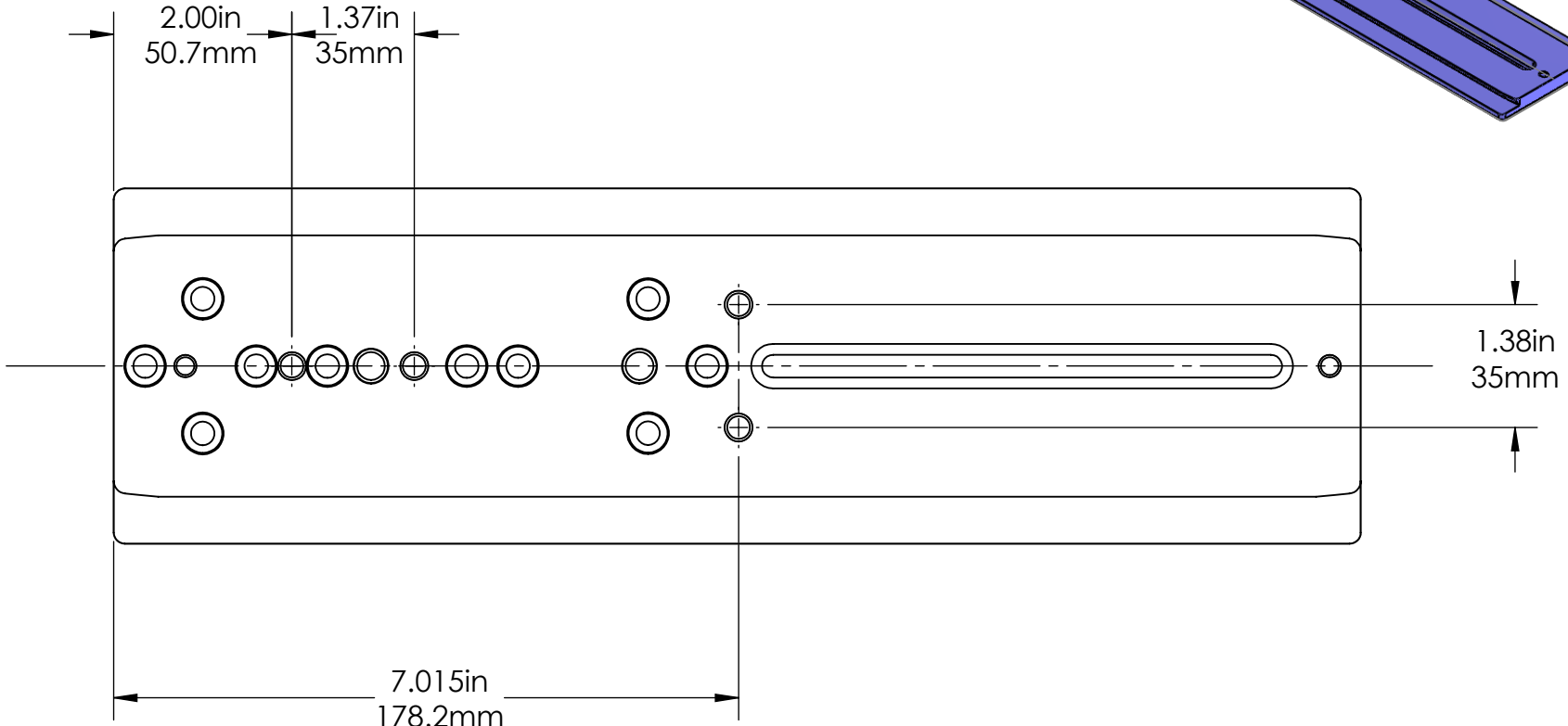
1



5/16-18 Hole Spacing

B

B



A

A



FDUP

2

1

2

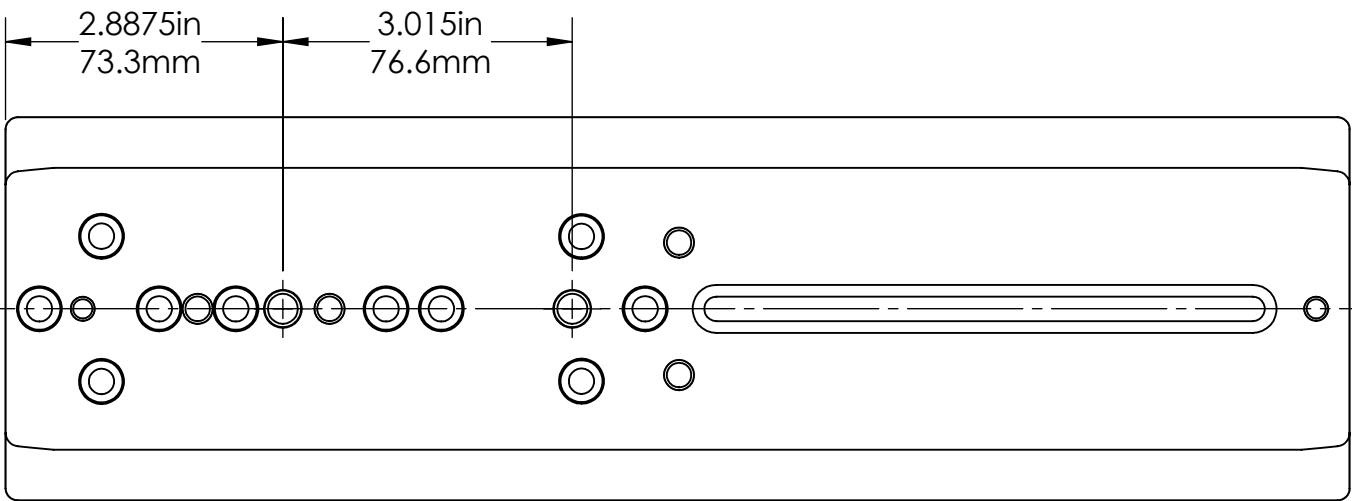
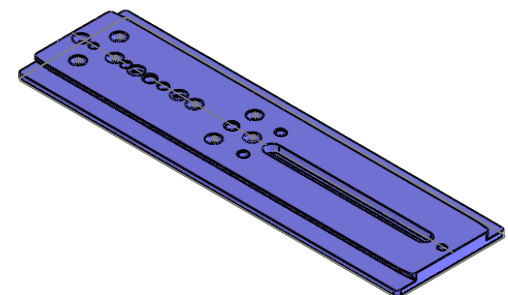
1



3/8-16 Hole Spacing

B

B



A

A



FDUP

2

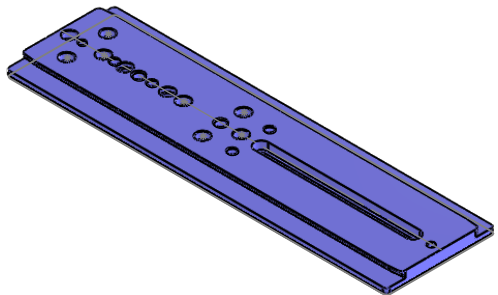
1

2

1

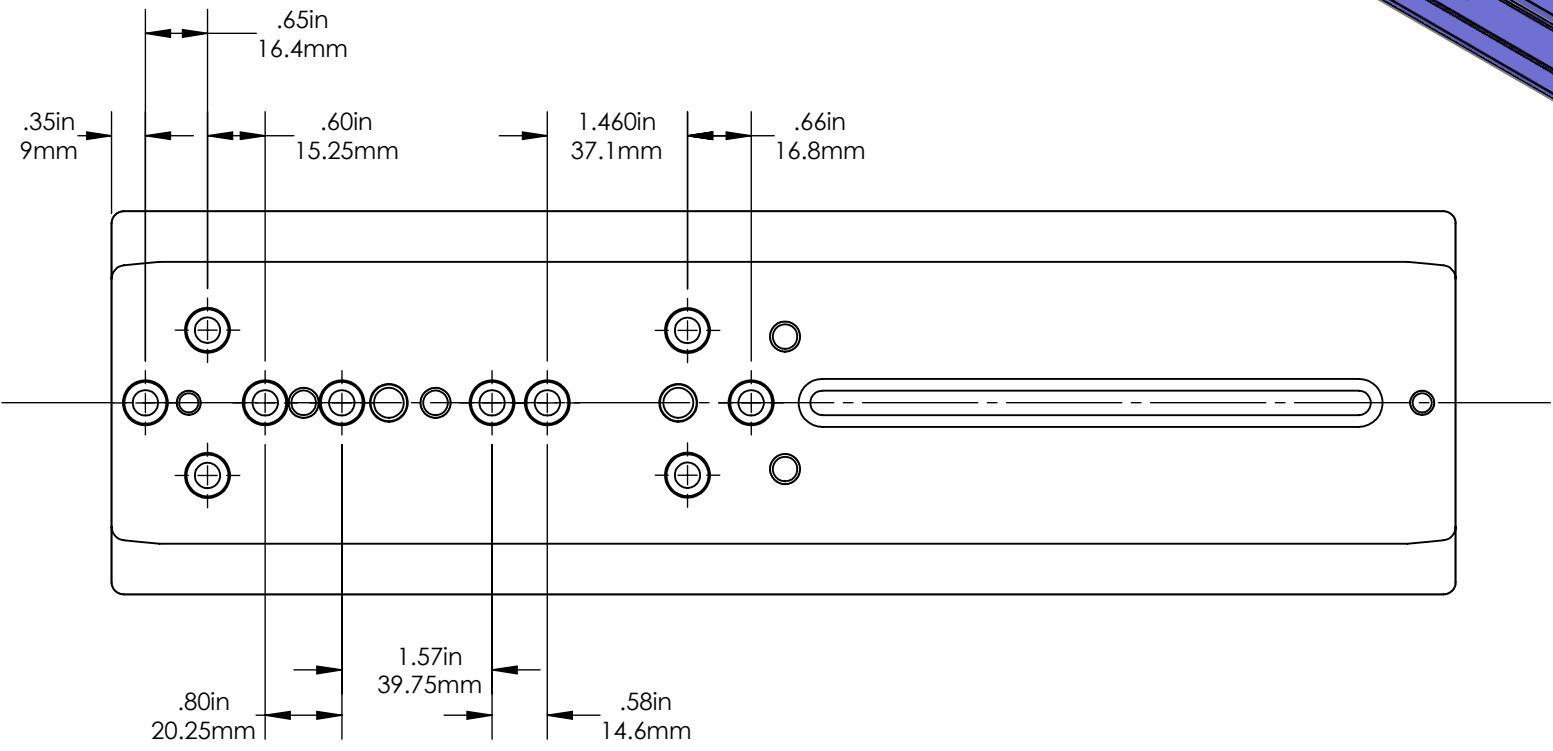


Unthreaded Hole Spacing



B

B



A

A



FDUP

2

1