

# GSM SPRINT

UNIVERSAL GSM DIALER

*GSM SPRINT-INT*  
with internal antenna



*GSM SPRINT-EXT*  
with external antenna  
(SMA connected)

**COMMUNICATE WITH ABSOLUTE CERTAINTY**

## Bidirectional telephone communicator with QUAD-BAND industrial module

SPRINT is a GSM dialer to send alarm alerts both voice calls and SMS.

SPRINT allows operation remotely, through a voice menu that suggests the steps to take.

SPRINT is fully programmable with SMS, while the voice message is adjustable with a phone call (follow the voice menu).

SPRINT is available in two versions: with internal antenna or external magnetic antenna 3 mt with SMA connector.

*Complies to the following standards:*

REGULATION	GRADE	CLASS
EN 50136-1-1	II	II



## **General index**

Installation.....	page 3
Programming and configuration of Default.....	page 3
Change of programming code.....	page 4
Programming a telephone number.....	page 4
Table call waiting mode codes.....	page 4
Check the programming of phone numbers.....	page 5
Check the other configurations.....	page 5
Deleting phone number.....	page 6
Input configuration.....	page 6
Output configuration.....	page 7
Call cycles programming.....	page 7
Association to a channel sending an SMS.....	page 8
Table of text messages.....	page 8
Programming of the alarm call time.....	page 9
SMS LIVE programming.....	page 9
Function ID notes.....	page 10
Programming of the telephone number ID.....	page 10
Cancellation telephone number ID.....	page 11
Telephone dialer block request.....	page 11
Telephone dialer unlock request.....	page 11
Connection scheme.....	page 12
Display signaling.....	page 12
Features / Techniques / GSM module.....	page 13
Remote Control / SMS / Warning Table.....	page 14

## **Installation:**

- Before inserting the SIM, deactivate the PIN code request and the voice mail.
- Before placing the dialer, check with a mobile phone that there is a good level of GSM signal.
- Insert the SIM card and power the dialer. Wait until there is a GSM signal shown on the display: 1 = minimum signal 9 = maximum signal
- Configure the inputs and outputs appropriately.
- Connect the alarm inputs to the corresponding actuators (free exchange of the alarm control panel, receiver for remote assistance, anti-robbery buttons, etc.).
- Connect the outputs to the various users to be managed.
- Calling the phone number associated to the SIM of the dialer, following the guide entry, it is possible to know at any time, the status of the outputs and eventually activate or deactivate them.
- The number in the first position of each channel, when called, can interrupt the cycle of calls in progress, by pressing the button 2 of the phone and access the other functions following the guide menu. The numbers in other positions, once they have responded to the alarm call, can only be excluded from that call cycle by pressing the 3 key on the phone. Thus they will no longer be called to a subsequent cycle.

## **Programming and configuration of Default:**

PROGRAMMING CODE AND REMOTE ACCESS = 12345

IN1 = N.C.

IN2 = N.C.

OUT1 = MONOSTABLE (OPEN COLLECTOR)

OUT2 = BISTABLE (OPEN COLLECTOR)

OUT3 = RELAY

CYCLES CALLS = 3 DURATION

CALL = 60 "

SMS LIVE = EVERY 99 DAYS

## Change of programming code

To change the default code, send an SMS to the dialer.

12345,67890 #05  
Sent the 15/11/2017



A	B	C
12345,	67890	#05

A = Programming code followed by a comma

B = New code

C = Final function code (not editable)

## Programming a telephone number

To program a phone number to send an alarm call to, send to dialer an SMS.

12345,347.....\*11101#02  
Sent the 15/11/2017



A	B	C	D	E	F	G
12345,	347.....	*	11	1	01	#02

A = Programming code followed by a comma

B = Telephone number

C = Asterisk symbol

D = Call waiting mode (See Table)

E = Channel (can be 1 or 2)

F = Position 01 ..... 05

G = Final function code (not editable)

## Table call waiting mode codes

Cod. Alert mode

11	VOCAL CALL
12	SEND SMS
13	VOCAL CALL + SMS

## Check the programming of phone numbers

To check the programmed numbers, send the following SMS to the dialer.

12345,#01  
Sent the 15/11/2017



**A**      **B**

12345,	#01
--------	-----

**A** = Programming code followed by a comma

**B** = Final function code (not editable)

The dialer returns an SMS with the programmed numbers

## Check the other configurations

To check other programs, send the following SMS to the dialer.

12345,#11  
Sent the 15/11/2017



**A**      **B**

12345,	#11
--------	-----

**A** = Programming code followed by a comma

**B** = Final function code (not editable)

The dialer returns an SMS with the programming of: call cycles, duration calls, programmed SMS, configuration of inputs and outputs, status of outputs.

## Deleting phone number

To delete a stored phone number, send an SMS to the dialer.

12345,101#02  
Sent the 15/11/2017



A	B	C	D
12345,	1	01	#02

**A** = Programming code followed by a comma

**B** = Channel (can be 1 or 2)

**C** = Position 01 ..... 05

**D** = Final function code (not editable)

## Input configuration

To configure the input 1 as N.A or N.C., send an SMS to the dialer.

12345,10#20  
Sent the 15/11/2017



A	B	C	D
12345,	1	0	#20

**A** = Programming code followed by a comma

**B** = Channel (can be 1 or 2)

**C** = Input (0 = NC - 1 = NA)

**D** = Final function code (not editable)

## Output configuration

To configure the outputs as monostable or bistable, send an SMS to the combiner

12345,11#10  
Sent the 15/11/2017



A	B	C	D
12345,	1	1	#10

**A** = Programming code followed by a comma

**B** = Channel (can be 1 or 2)

**C** = Output (1 = Monostable - 2 = Bistable)

**D** = Final function code (not editable)

## Call cycles programming

To set call cycles at 10 ", send an SMS to the dialer.

12345,10#07  
Sent the 15/11/2017



A	B	C
12345,	10	#07

**A** = Programming code followed by a comma

**B** = Number of call cycles (01 ..... 10)

**C** = Final function code (not editable)

## Association to a channel sending an SMS

To associate the alarm call by sending text "ALARM MESSAGE" to send an SMS dialer

12345,10#24  
Sent the 15/11/2017



A	B	C	D
12345,	1	0	#24

**A** = Programming code followed by a comma

**B** = Channel (can be 1 or 2)

**C** = SMS text (see table)

**D** = Final function code (not editable)

### Table of text messages

Cod.	SMS text
0	ALARM MESSAGE
1	INTRUSION
2	THEFT
3	ROBBERY
4	FIRE
5	FLOOD
6	OVER TEMPERATURE
7	POWER SUPPLY
8	TAMPERING
9	HEALTH TROUBLE



## Programming of the alarm call time

To set the alarm time of the call to 99 ", send an SMS to the dialer

12345,99#06  
Sent the 15/11/2017



A	B	C
12345,	99	#06

**A** = Programming code followed by a comma

**B** = Alarm call time (20 to 99 seconds)

**C** = Final function code (not editable)

## SMS LIVE programming

To set sending an SMS LIVE (dialer alive), send an SMS to the dialer

12345,99#03  
Sent the 15/11/2017



A	B	C
12345,	99	#03

**A** = Programming code followed by a comma

**B** = Periodic sending of the SMS LIVE (from 01 ..... 99 days)

**C** = Final function code (not editable)

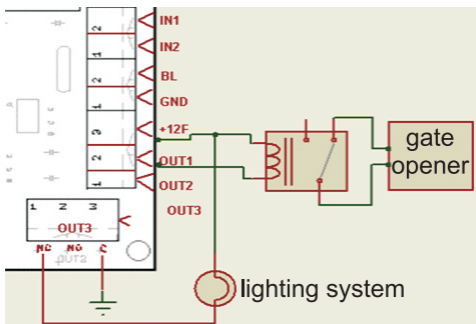
## Function ID notes

The ID function allows you to remotely activate one of the outputs, with a simple telephone ring at no cost to the answer. It can be carried out from any telephone both from a fixed network and from a mobile network.

The activation is allowed only through the recognition of the stored telephone number (max 5 telephone numbers) and therefore excludes calls with private or reserved numbers.

The ID function can be activated on all 3 channels. The same telephone number can not be programmed on more than one channel. An example of applying the ID function, it can be that of opening an automated gate (automation) or lighting system activation (home automation).

The connection diagram is shown in the figure:



## Programming of the telephone number ID

To set the channel 3 output, which can be managed by the ID function, send an SMS to the dialer

12345,347.....\*3#29  
Sent the 15/11/2017



A	B	C	D	E
12345,	347.....	*	3	#29

**A** = Programming code followed by a comma

**B** = Telephone Number (up to 5 programmable numbers)

**C** = Asterisk symbol

**D** = Output channel (channel 1, 2 or 3)

**E** = Final function code (not editable)

## Cancellation telephone number ID

To delete an ID number, in position 5, send an SMS to the dialer

12345,05#30  
Sent the 15/11/2017



A	B	C
12345,	05	#30

**A** = Programming code followed by a comma

**B** = Position of the telephone number to be deleted (from 01 to 05)

**C** = Final function code (not editable)

## Telephone dialer block request

To put the dialer in bulk, so as not to make calls, send the following SMS to the dialer.

12345,#90  
Sent the 15/11/2017



A	B
12345,	#90

**A** = Programming code followed by a comma

**B** = Final function code (not editable)

## Telephone dialer unlock request

To put the dialer in ready, in order to make calls, send the following SMS to the dialer.

12345,#91  
Sent the 15/11/2017

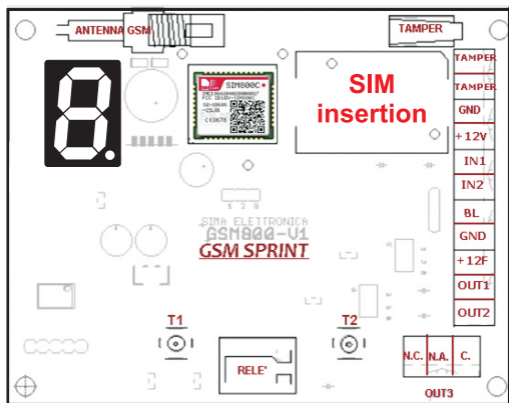


A	B
12345,	#91

**A** = Programming code followed by a comma

**B** = Final function code (not editable)

## Connection scheme



TAMPER = Tamper output to be connected to the 24H protection line of the control unit

GND = Negative power input

+ 12V = Positive power input

IN1 = Channel 1 alarm input N.C./N.A. (close if configured and not used)

IN2 = Channel 2 alarm input N.C./N.A. (close if configured and not used)

BL = Block input (presence or negative pulse, block any calls in progress)

GND = common negative IN1-IN2

+ 12F = 12 volt fixed output

OUT1 = 500 mA open-collector output

OUT2 = 500 mA open-collector output

OUT3 = 3A relay output

T2 = Press and hold while powering to restore default parameters

## Display signaling

**8** Search for a network

**-** Telephone dialer in lock state

**9** Network Intensity value (from 0 to 9)

**6** Telephone dialer in alarm call

## **Characteristics**

- Programming by sending SMS.
- Recording of voice messages (20 "per channel) of alarm, by phone call.
- 2 alarm channels.
- 3 output channels, 2 OPEN-COLLECTOR (O.C.), 1 relay. Each can be programmed as monostable or bistable.
- 10 memorized telephone numbers (5 channel one - 5 channel two).
- Send voice alarm message (20 "-) and / or SMS.
- 10 alarm messages already programmed.
- ID-REMOTE ID function (5 storable numbers).
- Outputs can be activated remotely (even with alarm in progress).
- Possibility of interrupting, when answering key 2, the calls in progress (only the first telephone number of each channel).
- Recognition of the number that responded to the alarm call, and consequent exclusion from the call cycle.
- Compatibility with international SIM.
- Visualization of presence and intensity of the field.
- Possibility to receive the contents of the memory by SMS: telephone numbers, cycles and call duration, input / output configurations, etc.
- Send SMS LIVE. The dialer can send a text message of vitality for a period ranging from 1 every day to a maximum of one every 99 days.
- Messages and telephone numbers recorded on non-volatile memory.

## **Technical features**

- 12 VDC power supply.
- Absorption at rest 70 mA.
- Alarm absorption 180 mA.
- Internal or external GSM antenna.
- Switch protection against opening the container.

## **Specifications GSM module**

- SIM800C module
- Quad-band 850/900/1800 / 1900MHz
- GPRS multi-slot class 12/10
- GPRS mobile class B
- Certifications: CE-GCF-FCC-TA-CTA-CCC-ROHS-REACH

## **REMOTE CONTROLS TABLE:**

<b>PRESS 2</b>	<b>To interrupt alarm calls in progress. (Only the first number of each channel)</b>
<b>PRESS 3</b>	<b>To be excluded from alarm calls.</b>
<b>PRESS 5</b>	<b>To enter the outputs activation menu. (then follow the voice menu)</b>
<b>PRESS 7</b>	<b>To listen to recorded voice alarm messages. (then follow the voice menu)</b>
<b>PRESS 8</b>	<b>To record the alarm voice messages. (then follow the voice menu)</b>
<b>PRESS 9</b>	<b>To find out about the status of the exits</b>

## **Table of text messages**

**Cod.** **SMS text**

0	ALARM MESSAGE
1	INTRUSION
2	THEFT
3	ROBBERY
4	FIRE
5	FLOOD
6	OVER TEMPERATURE
7	POWER SUPPLY
8	TAMPERING
9	HEALTH TROUBLE

## **Table call waiting mode codes**

**Cod.** **Alert mode**

11	VOCAL CALL
12	SEND SMS
13	VOCAL CALL + SMS

# Note


The logo features a stylized graphic of two overlapping rectangular blocks with diagonal hatching. The top block is white with green hatching, and the bottom block is green with white hatching. A registered trademark symbol (®) is positioned to the right of the graphic.

**SIMA** elettronica s.n.c.

[www.simaelettronica.com](http://www.simaelettronica.com)