

DTK 10

DTK 10 IT'S A DETECTOR FOR INDOOR AND-OR FUNCTION WITH DOUBLE TECHNOLOGY INFRARED + RADAR MICROWAVE BAND K 24.125 GHz.

REMEMBER THAT THE MICROWAVE BAND K 24.125 GHz, RESPECT TO THE ORDINARY IN MICROWAVE BAND X 10:50 GHz IT'S LESS INVASIVE IN SOLID BODIES SUCH AS BRICK PARTITION WALLS, WINDOWS, TALL STOOL, WOOD DOORS, ETC .. THIS TECHNOLOGY KEEPS THE SCOPE OF MICROWAVE INSIDE THE PROTECTED AREA REDUCING DRASTICALLY FALSE ALARM.

DTK 10 INNOVATIVE SYSTEM HAS A LEAK OF FRESNEL LENS, WHICH IS INTEGRAL TO THE PCB SIMPLIFYING THE PHASE OF ADJUSTMENT OF THE TWO SENSORS (MICROWAVE AND INFRARED).

FURTHERMORE THIS SYSTEM ALLOWS A PERFECT ISOLATION SENSOR IR PRESERVING IT FROM DRAFTS AIR (CASE OF FALSE ALARMS) AND A QUICK CHANGE OF FRESNEL LENS (SUPPLIED STANDARD TRIPLE FAN AND / OR REQUEST IMMUNE PET, ANIMAL ALLEY AND LONG RANGE).

DTK 10 MODERN DESIGN AND LITTLE BULKY, HIGH QUALITY USED PARTS 'IN ACCORDANCE WITH THE REGULATIONS IN FORCE.

DTK 10 STANDS FOR HIGH RELIABILITY THE RIGHT AND MEETS EXPECTATIONS OF OUR CUSTOMERS IN THE WORLD. TO THEM OUR APPLAUSE FOR THE CHOICE OF THIS PRODUCT.

Essential Features:

12VDC power supply

Power consumption in standby / operating: 35mA / 42mA.

Operating Temperature: -20 ° C to +50 ° C.

Discrimination alarm movement controlled by microprocessor integrated.

Articulation series with the through hole for the connection cable.

Locking screws and Allen key locking stainless steel.

Ality microphone and transient immunity effect.

Trimmer for adjusting the flow rate of the microwave.

Trimmer for adjusting the delay of the microwave.

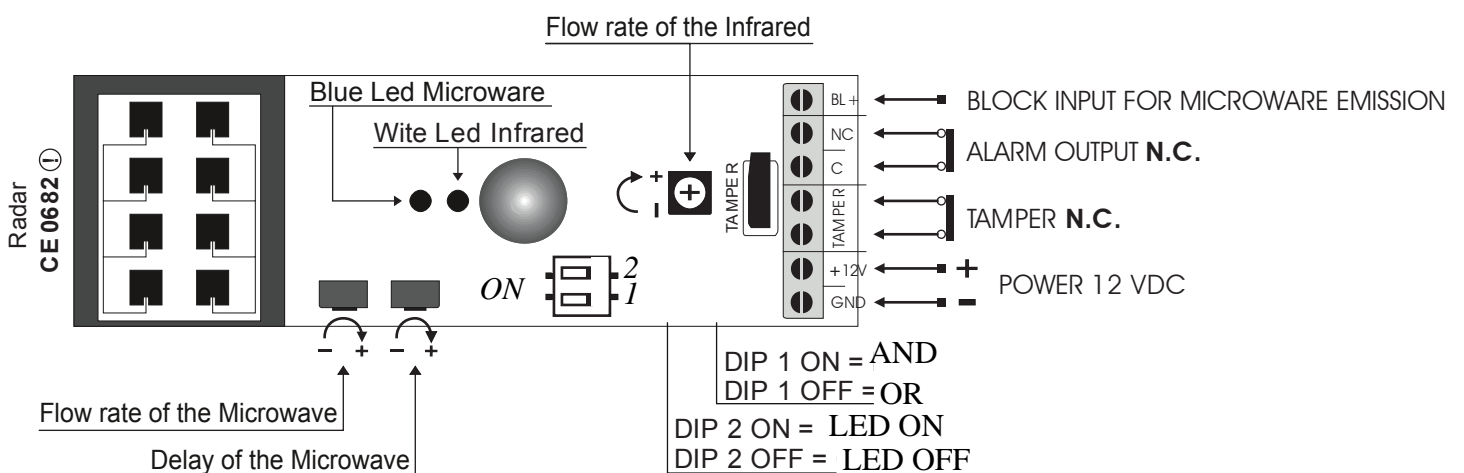
Trimmer for adjusting the flow rate of the Infrared.

Input Block (Green Line) to the issue of Microwave system is disarmed.

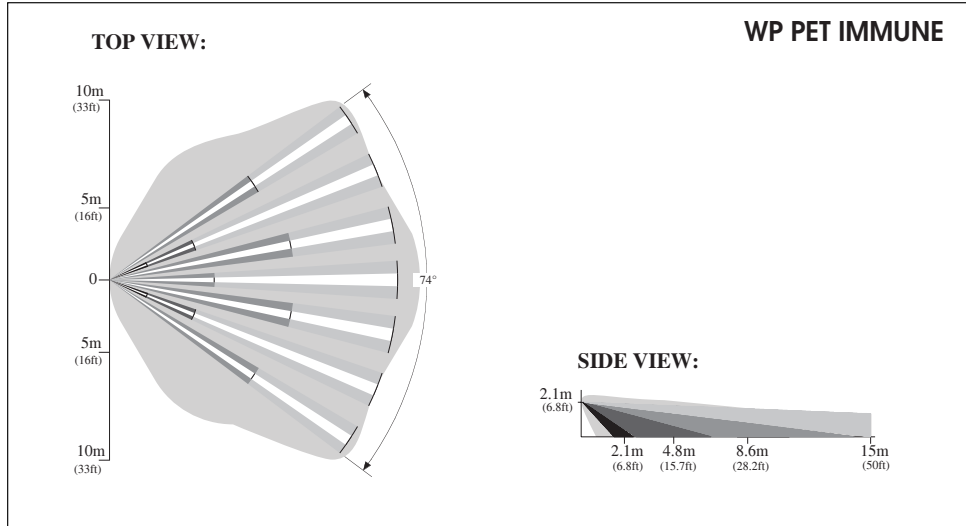
DIP switches for the masking of the LED indicators.

DIP switch for selecting the mode logic AND / OR.

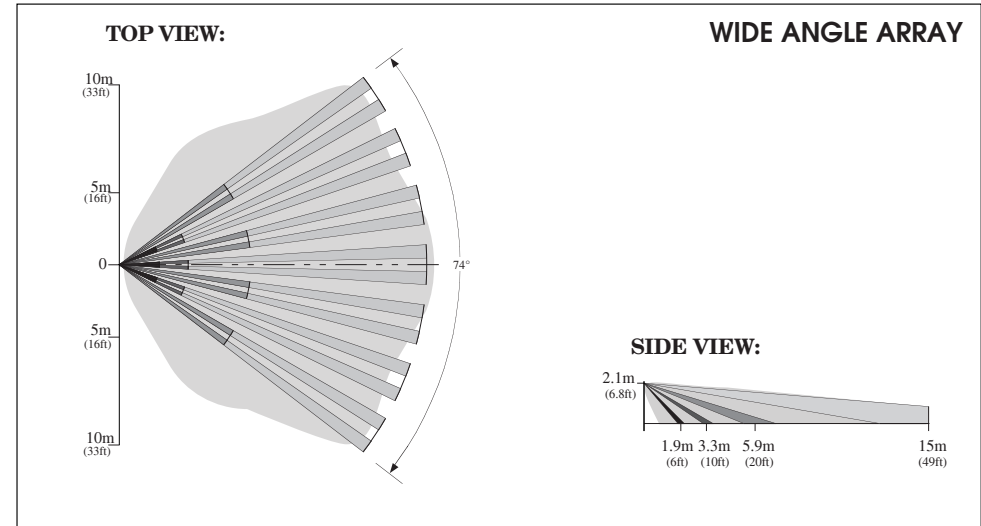
Tamper protection against opening the lid of the detector.



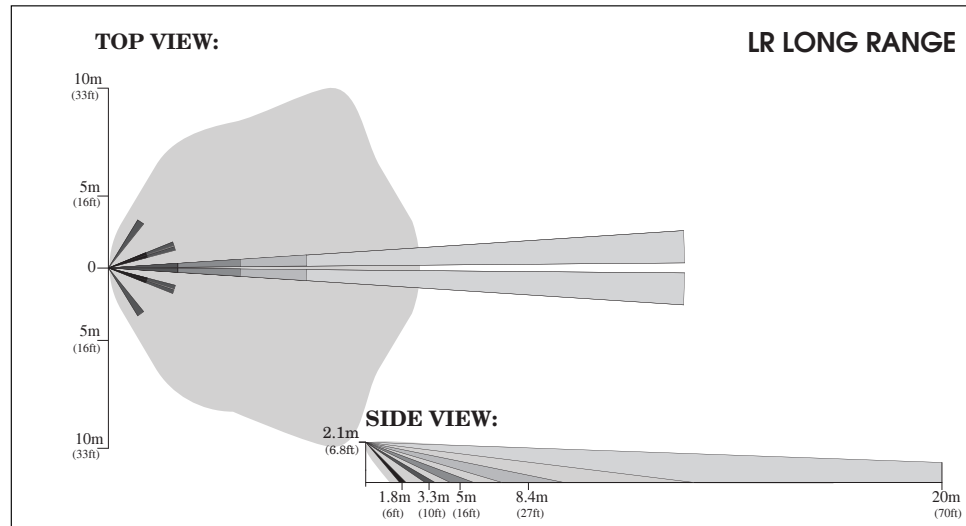
DTK 10 WP



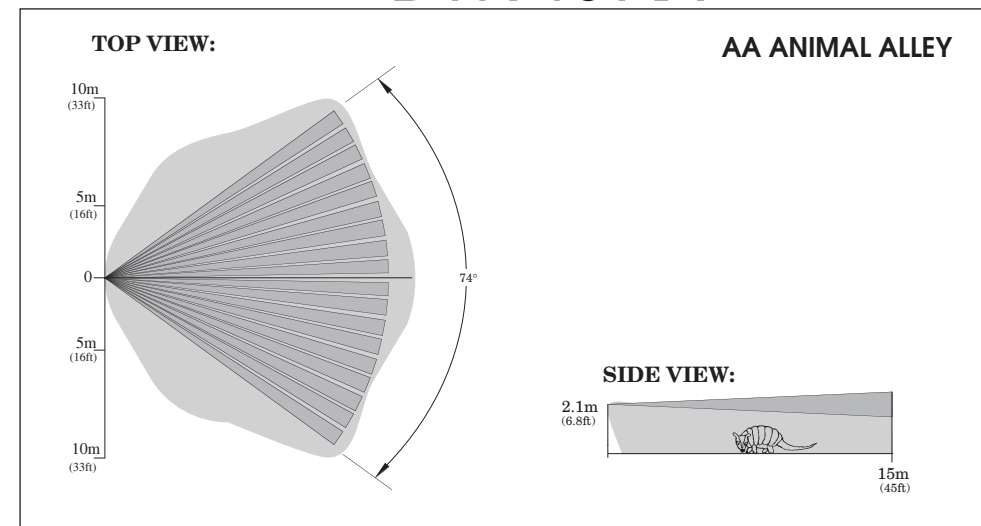
DTK 10



DTK 10 LR



DTK 10 AA



DTK 10 is available in the following versions