

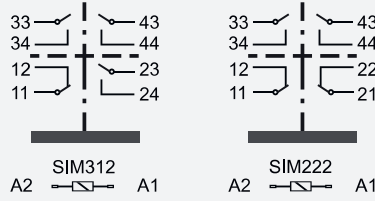


**Features**

- Plug-in socket with print connections
- For relay series SIM3 and SIM4
- With plastic retaining bracket



**Circuit diagram (top view)**



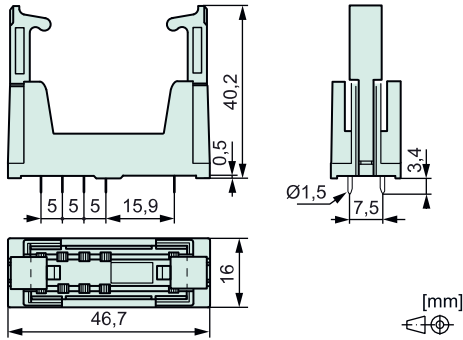
**Options, Accessories**

none available

**Insulation data**

Rated insulation voltage (IEC 60664-1)	250 VAC
Basic insulation	— — — —
- Air and creepage distance (min.)	4 mm
- Test voltage	2500 V <sub>rms</sub> / 1 min
Double or reinforced insulation	- - - - -
- Air and creepage distance (min.)	8 mm
- Test voltage	4000 V <sub>rms</sub> / 1 min
Double or reinforced insulation	—————
- Air and creepage distance (min.)	10 mm
- Test voltage	5000 V <sub>rms</sub> / 1 min
Creepage resistance	CTI 250
Pollution degree	2
Overvoltage category	III

**Dimensions**



**Mechanical data**

Weight approx. 11 g

**Other data**

Ambient temperature	-25 °C ... +70 °C
Approvals	cULus
UL File	E301947

**Mounting instructions**

Mounting on PCB

**Product key**

SRP	SIM4	
SRP	Socket type	PCB socket
SGR2	Relay series	SIR4

**Technical data**

Limit continuous current*	8 A
Rated voltage	250 VAC

\*max. note max. contact load in the relay data sheet