

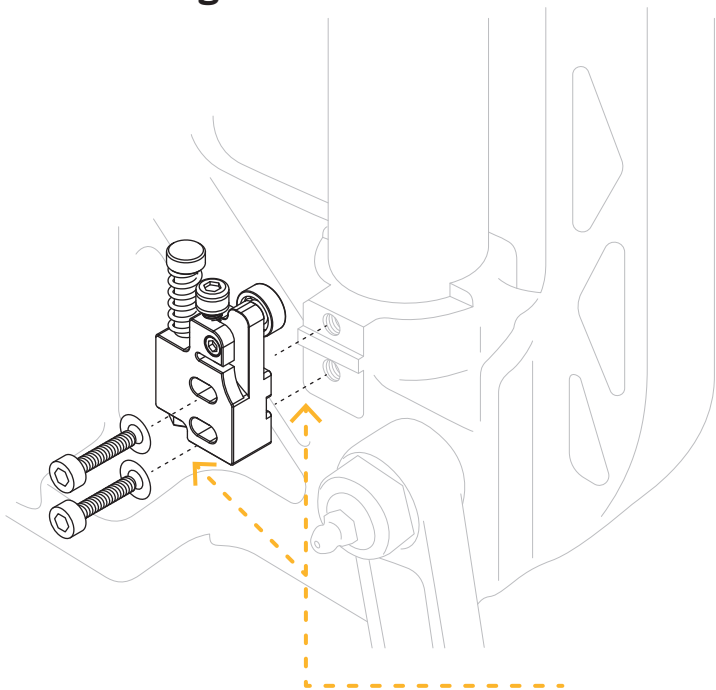
ARMANOV

Index Bearing Cam Block
Spring Loaded for Dillon XL750



Armanov d.o.o.
Brezovce 9
1236 Trzin, Slovenija
Tel: +386 30 467 000
armanov.com

Mounting



1. Install the index cam block

Replace original block with Armanov Index bearing cam block using supplied screws and washers.

Setting



The diagram shows a mechanical assembly with a rectangular block containing a spring and a screw. A dashed orange line points from the text '2. Set primer seating depth' to the top screw. Another dashed orange line points from the text '3. Tighten retaining screw' to a screw on the side of the block. The background shows faint outlines of a person's legs and a foot, suggesting the assembly is part of a shoe.

2. Set primer seating depth

Use top screw to set proper primer seating depth by limiting the platform downward movement.

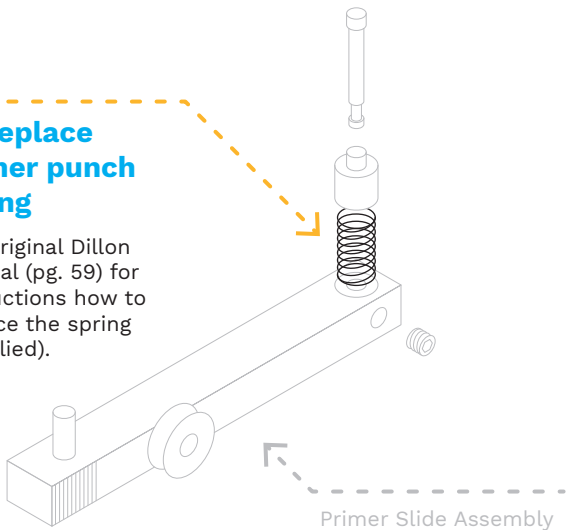
3. Tighten retaining screw

After primer seating depth screw is set, tighten the retaining screw.

Spring replacement

4. Replace primer punch spring

See original Dillon manual (pg. 59) for instructions how to replace the spring (supplied).



ARMANOV

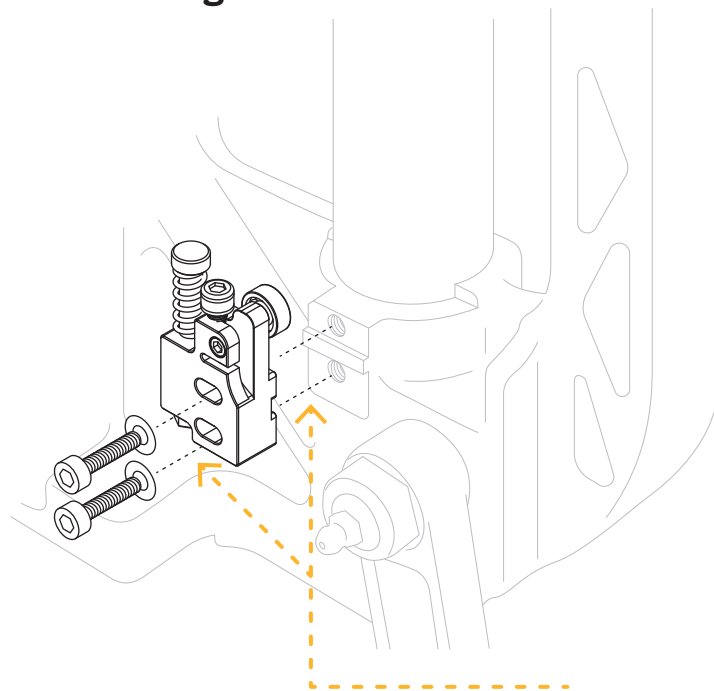
Index Bearing Cam Block

Spring Loaded for Dillon XL750



Armanov d.o.o.
Brezovce 9
1236 Trzin, Slovenija
Tel: +386 30 467 000
armanov.com

Mounting



1. Install the index cam block

Replace original block with Armanov Index bearing cam block using supplied screws and washers.

ARMANOV

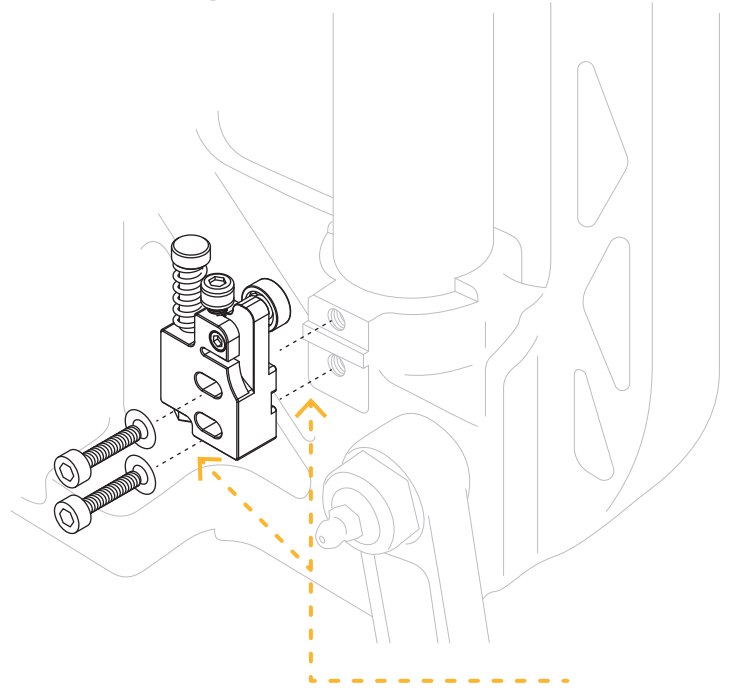
Index Bearing Cam Block

Spring Loaded for Dillon XL750



Armanov d.o.o.
Brezovce 9
1236 Trzin, Slovenija
Tel: +386 30 467 000
armanov.com

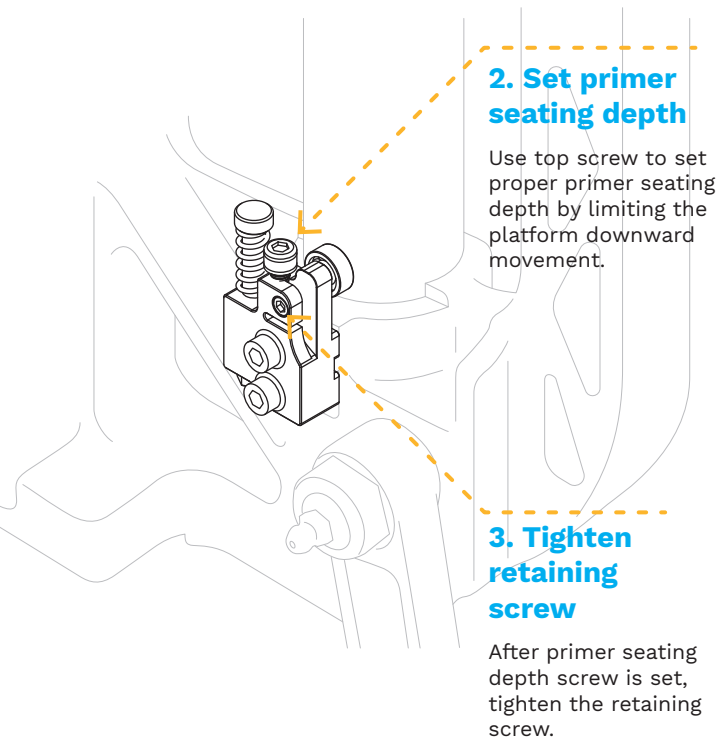
Mounting



1. Install the index cam block

Replace original block with Armanov Index bearing cam block using supplied screws and washers.

Setting



2. Set primer seating depth

Use top screw to set proper primer seating depth by limiting the platform downward movement.

3. Tighten retaining screw

After primer seating depth screw is set, tighten the retaining screw.

Spring replacement

4. Replace primer punch spring

See original Dillon manual (pg. 59) for instructions how to replace the spring (supplied).

