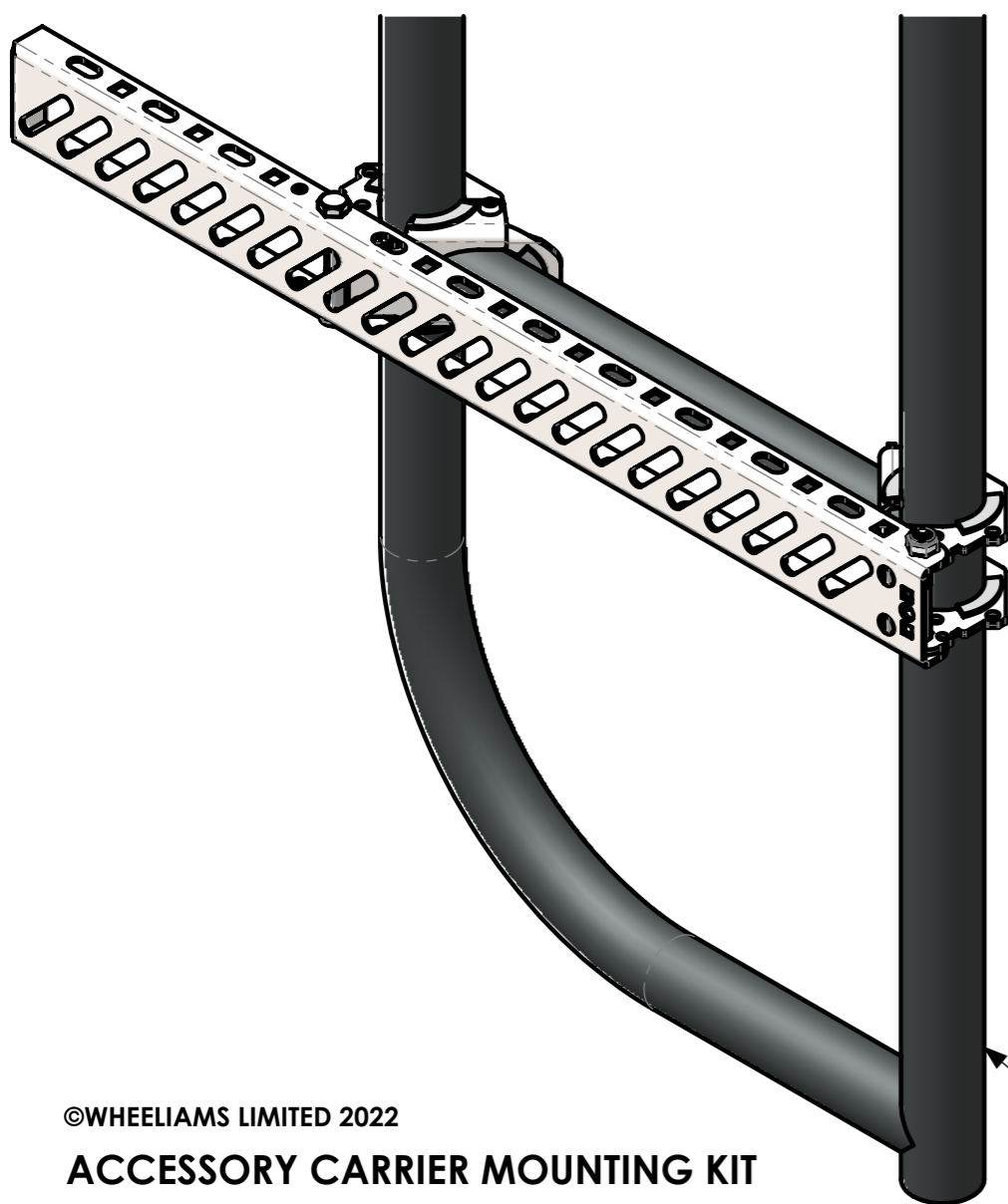


ITEM NO.	PART NUMBER	DESCRIPTION	QTY. IN KIT
1	M6 X 10 SOCKET BUTTON SCREWS STAINLESS STEEL A2 (304) ISO 7380		16
2	A02-0074-A	CLAMPING GASKET-30mm	24
3	A02-0074-A	BUFFER GASKET-40mm	4
4	NUT - M08 - NYLOC SS		4
5	M8 X 65 HEXAGON HEAD STAINLESS STEEL BOLTS A2 (304) DIN 931		4
6	A02-0075-A	ACCESSORY PIVOT BODY	4
7	A02-0076-A	ACCESSORY PIVOT CLAMP	4
8	A02-0023-A	LADDER - ACCESSORY RAIL - HORIZ - 600	2

VIEWS OF SINGLE BOX MOUNT RAIL SHOWN. FULL KIT COMPRISES 2 No. ARMS & CLAMPS

©WHEELIAMS LIMITED 2022

RAIL ASSEMBLED ON CLAMPS



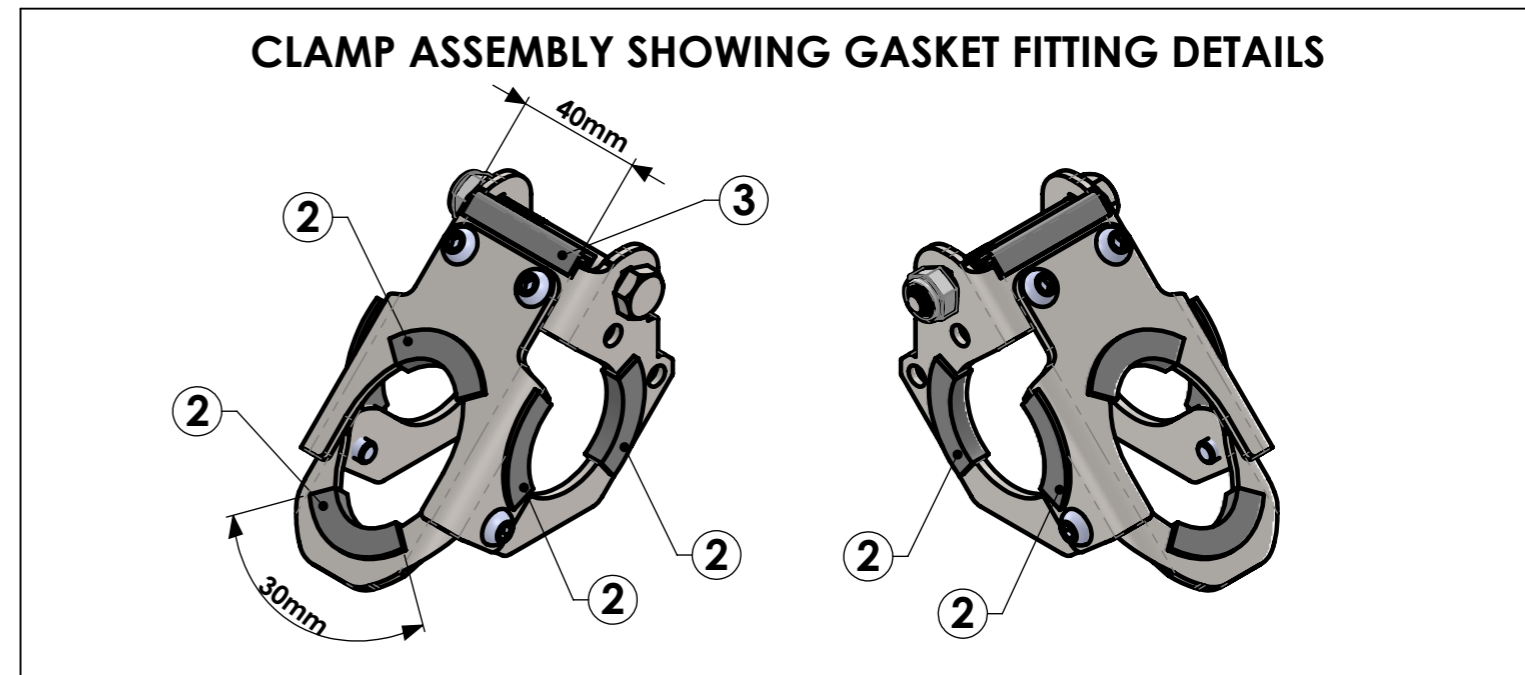
LADDER SECTION
(NOT INCLUDED IN KIT)

©WHEELIAMS LIMITED 2022

ACCESSORY CARRIER MOUNTING KIT

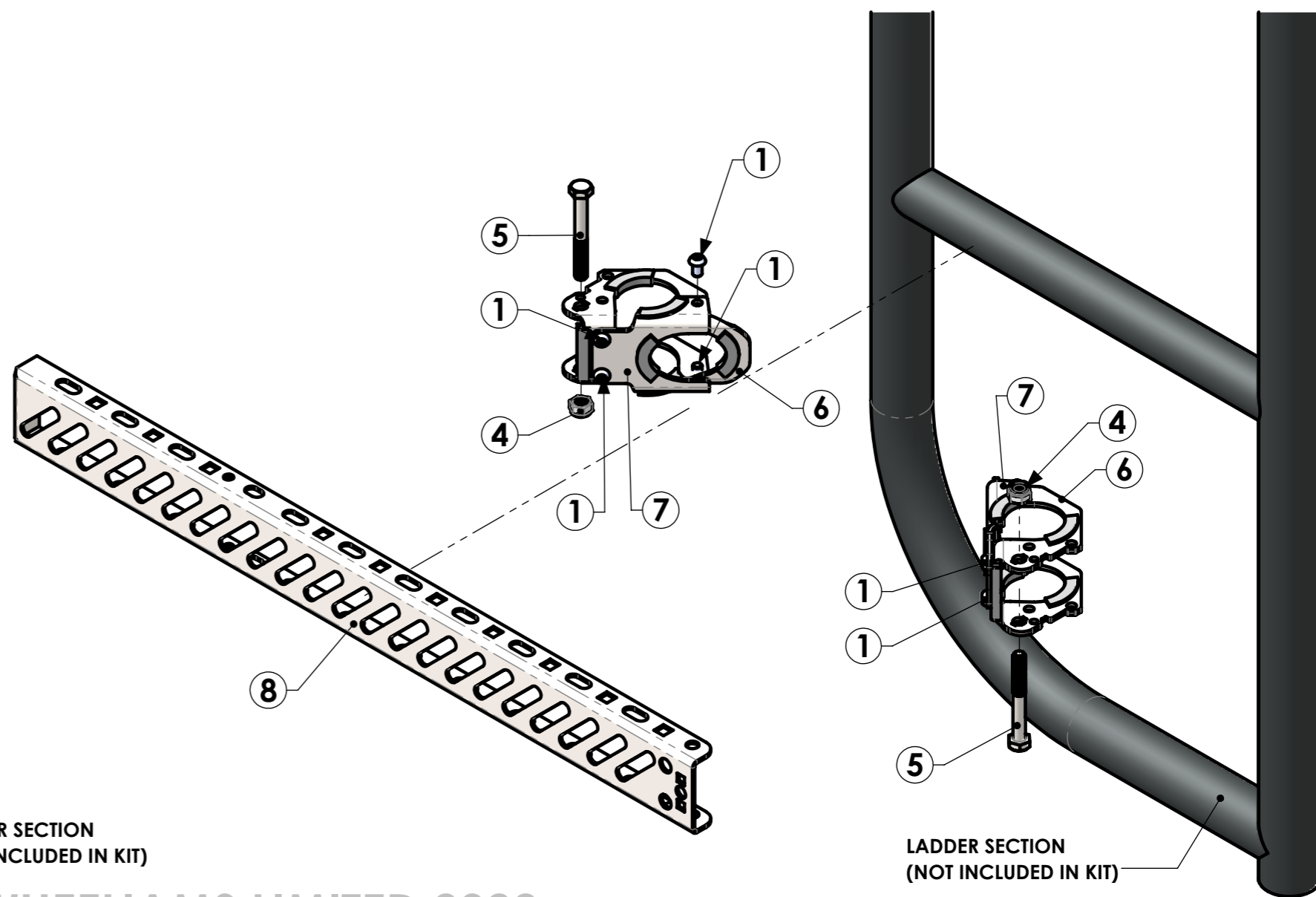
A01-0085-A

CLAMP ASSEMBLY SHOWING GASKET FITTING DETAILS



©WHEELIAMS LIMITED 2022

EXPLODED ASSEMBLY



LADDER SECTION
(NOT INCLUDED IN KIT)

©WHEELIAMS LIMITED 2022