



www.petlibro.com



PETLIBRO

Granary Automatic Pet Feeder-WiFi Control 5L

Model: PLAF103

©Libro Corp. All Rights Reserved.

Manufacturer: Shenzhen Libro Technology Co., Ltd.

Address: 12/F, Tower B, GALAXY WORLD, Yabao Road,
Longgang District, Shenzhen, China

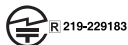
JP Importer: 株式会社成洋

Made in China

PLAF103_V2.1

CAN ICES-3 (B)/NMB-3(B)

FCC ID: 2A3DE-PLAF103



This device complies with Part 15 of the FCC Rules. Operation is subject to the following two conditions: (1) this device may not cause harmful interference, and (2) this device must accept any interference received, including interference that may cause undesired operation.

Model: PLAF103

USER MANUAL

Granary Automatic
Pet Feeder-WiFi Control 5L

Read this manual before using the product, and keep it for future reference.

This product is intended for household use only.

CONTENTS

English

SAFETY GUIDELINES	01
WARRANTY	04
IN THE BOX	05
PRODUCT OVERVIEW	06
BUTTONS AND INDICATORS OVERVIEW	08
SET UP THE FEEDER	10
CONTROLLING VIA APP	15
CLEAN AND CARE	23
TROUBLESHOOTING	29
SPECIFICATIONS	30

Deutsch

SICHERHEITSRICHTLINIEN	32
GARANTIE	34
IN DER BOX	35
PRODUKTÜBERSICHT	36
TASTEN- UND INDIKATORENÜBERSICHT	38
ZUSAMMENSTELLUNG DES FUTTERAUTOMATEN	40
STEUERUNG ÜBER APP	45
REINIGUNG UND PFLEGE	53
FEHLERBEHEBUNG	59
SPEZIFIKATIONEN	60

Italiano

LINEE GUIDA PER LA SICUREZZA	61
GARANZIA	64
NELLA SCATOLA	65
PANORAMICA DEL PRODOTTO	66
PANORAMICA DEI PULSANTI E DEGLI INDICATORI	68
IMPOSTAZIONE DELL'ALIMENTATORE	70
CONTROLLO TRAMITE APP	75
PULIZIA E CURA	83
RISOLUZIONE DEI PROBLEMI	89
SPECIFICHE	90

Français

CONSIGNES DE SECURITE	91
GARANTIE	94
CONTENU	95
APERÇU PRODUIT	96
APERCU BOUTONS & VOYANTS	98
INSTALLER LE DISTRIBUTEUR	100
CONTROLE PAR APP	105
NETTOYAGE ET ENTRETIEN	113
DEPANNAGE	119
SPECIFICATIONS	120

Español

INDICACIONES DE SEGURIDAD	121
GARANTÍA	124
DENTRO DE LA CAJA	125
VISIÓN GENERAL DEL PRODUCTO	126
VISIÓN GENERAL DE BOTONES Y PANTALLA	128
INSTALAR EL ALIMENTADOR	140
CONTROL MEDIANTE APP	145
LIMPIEZA Y MANTENIMIENTO	143
SOLUCIÓN DE PROBLEMAS	149
ESPECIFICACIONES	150

ENGLISH

SAFETY GUIDELINES

! WARNING

- Dispose of all packaging materials properly. Some items may be packed in plastic bags; these bags could cause suffocation; keep away from children and pets.
- Do NOT allow small children to play with, in or around the pet feeder.
- To reduce the risk of injury, please keep close supervision when the appliance is used near children.
- Do NOT use the feeder with pets not able to reach the food tray or with any physical disability.
- Do NOT immerse the base part in water at any time as it may damage electronic components like the control panel.
- Do NOT place any foreign object in the pet feeder.
- Do NOT use outdoors. Check operation frequently to be sure the unit is dispensing properly.
- Do NOT use wet, canned or moist food.
- Do NOT disassemble the unit other than as instructed in this User Guide.
- Do NOT use the feeder for anything other than its intended use.
- Only use attachments recommended or sold by the manufacturer. The use of attachments not recommended or sold by the manufacturer may cause an unsafe condition. Do not modify the pet feeder.
- Do not operate any appliance if the unit is malfunctioning or has been damaged. Do not attempt repairs on the pet feeder yourself. Contact our customer service immediately for further instructions.
- Always unplug when not in use and before cleaning.
- Never pull on the electrical power cord to remove the plug from the wall outlet.

- If the plug of this device gets wet, turn off electricity to that wall outlet. Do not attempt to unplug.
- Examine the feeder after installation. Do not plug in if there is water on the power cord or plug.
- To avoid tripping, always position power cord out of the way of foot traffic.

CAUTION

- Do NOT install or store the pet feeder where it will be exposed to weather or temperatures below 4°C / 39.2°F.
- Use alkaline D batteries to power. Do NOT use rechargeable batteries.
- Check the batteries regularly. Before leaving for extended time, always replace batteries with new ones.
- Do NOT lift the pet feeder by lid, food tank, or food tray. Lift and carry it using both hands and the base, while keeping the unit in an upright position.
- Suitable for dry food ONLY, with kibble size ranging from 2-15mm / 0.07-0.6 inch in diameter. Larger kibble may get stuck at the food outlet.
- Do not put your fingers into the food outlet or let your fingers touch the rotor.
- Read and observe all important notices listed on the pet feeder and in the packaging.

This device complies with Part 15 of the FCC Rules. Operation is subject to the following two conditions:

- (1) this device may not cause harmful interference, and
- (2) this device must accept any interference received, including interference that may cause undesired operation.

Changes or modifications to this unit not expressly approved by the party responsible for compliance could void the user's authority to operate the equipment.

NOTE:

This equipment has been tested and found to comply with the limits for a Class B digital device, pursuant to Part 15 of the FCC Rules. These limits are designed to provide reasonable protection against harmful interference in a residential installation. This equipment generates, uses and can radiate radio frequency energy and, if not installed and used in accordance with the instructions, may cause harmful interference to radio communications. However, there is no guarantee that interference will not occur in a particular installation. If this equipment does cause harmful interference to radio or television reception, which can be determined by turning the equipment off and on, the user is encouraged to try to correct the interference by one or more of the following measures:

- Reorient or relocate the receiving antenna.
- Increase the separation between the equipment and receiver.
- Connect the equipment into an outlet on a circuit different from that to which the receiver is connected.
- Consult the dealer or an experienced radio/TV technician for help.

This device and its antenna(s) must not be co-located or operation in conjunction with any other antenna or transmitter.

Radiation Exposure Statement

To maintain compliance with FCC's RF Exposure guidelines, This equipment should be installed and operated with minimum distance of 20cm from your body.

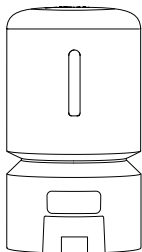
WARRANTY

- 1-year warranty
- Lifetime support

For guidance on product use and warranty extension, please contact our brand after-sales staff via email: **support@petlibro.com**

If any questions related to orders, please contact the seller through the shopping platform.

IN THE BOX



Automatic Pet Feeder

X1



Food Bowl with Holder

X1



Power Adapter

X1



User Guide Kit

X1

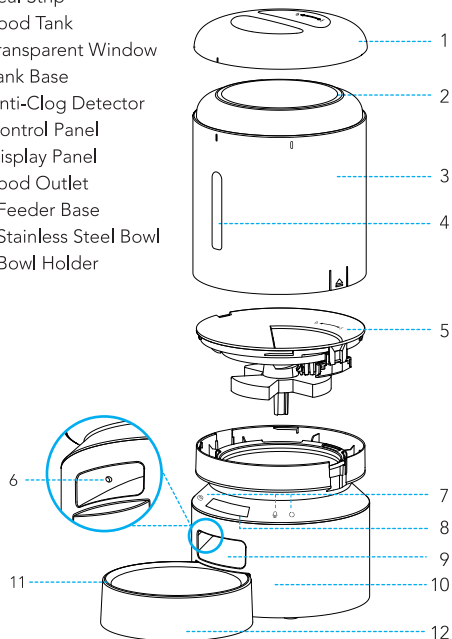


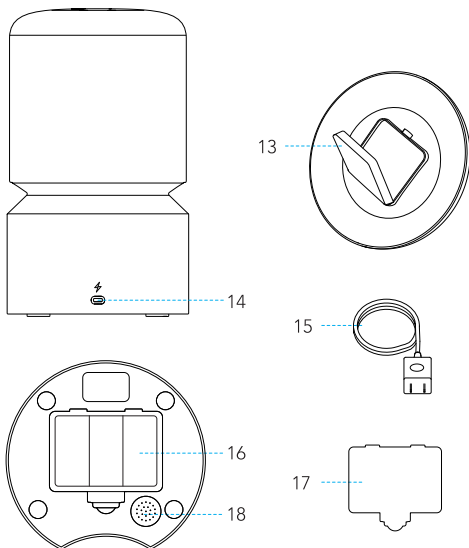
Desiccant Bag

X1

PRODUCT OVERVIEW

1. Lid
2. Seal Strip
3. Food Tank
4. Transparent Window
5. Tank Base
6. Anti-Clog Detector
7. Control Panel
8. Display Panel
9. Food Outlet
10. Feeder Base
11. Stainless Steel Bowl
12. Bowl Holder





- 13. Desiccant Box
- 14. Power Jack
- 15. Power Adapter

- 16. Battery Compartment
- 17. Compartment Lid
- 18. Speaker

BUTTONS AND INDICATORS OVERVIEW

Buttons Overview



Unlock Button

To unlock the control panel, press and hold the button for 5 seconds, the device emits a Di, DiDi sound. In the locked state, only this button takes effect.



Record Button

In the unlocked state, press and hold the button, start recording after a beep is heard.

Record your message (Max:10 seconds). Release the button if you finish recording, two beeps will be heard indicating it's saved.



Manual Feeding Button

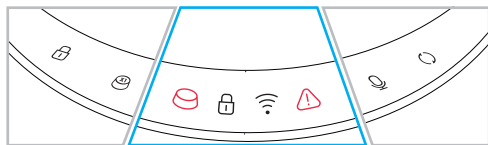
In the unlocked state, press once to dispense 1 portion of food.



Reset Button

In the unlocked state, keep holding the reset button until the feeder emits beeps: Di, DiDi, the WiFi indicator keeps flashing, it indicates the device is ready for re-connection.

Indicators Overview



Food Level Indicator

Light up red if the food level is low.
Off if the tank has enough food.

Lock Indicator

On if the control panel is locked.
Off if the control panel is unlocked.

Note: The control buttons will be locked automatically after 30 seconds of standby.

Wi-Fi Indicator

Flash every one second	The feeder is ready to connect to WiFi.
Flash several times per second	The feeder is connecting to WiFi or upgrading the software.
Double flash	WiFi password error.
Stay solid	Connected to WiFi.
Off	WiFi function is off.

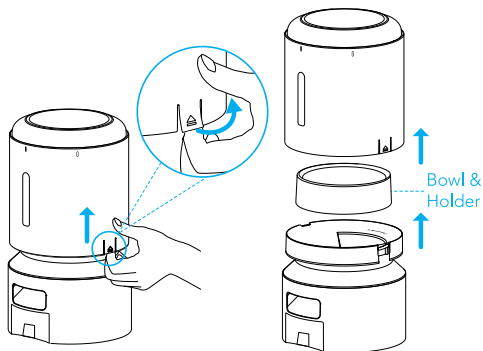
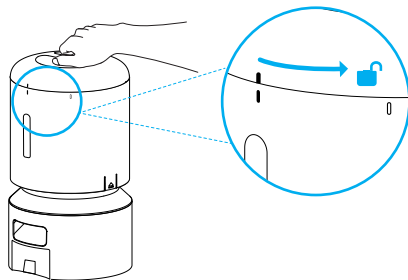
Work Status Indicator

On	Food blockage or the motor can't work.
Off	Everything is working well.

SET UP THE FEEDER

Assembly and Prepare for Setting

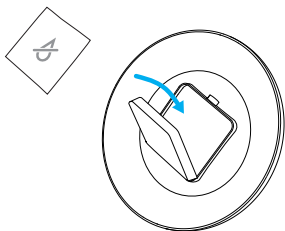
1. Take out the food bowl inside the food tank.
Twist the lid anticlockwise to remove the lid. Pull the notches on both sides outward a little and then up to remove the food tank.



2. Place the desiccant bag into the inner box under the lid.

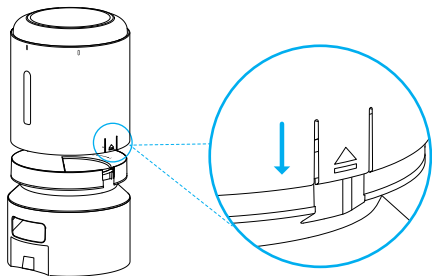
Notes:

- It is recommended to change the desiccant bag every 15 days to prevent mold growth.
- Remove the desiccant bag before cleaning the lid.



3. Install the food tank.

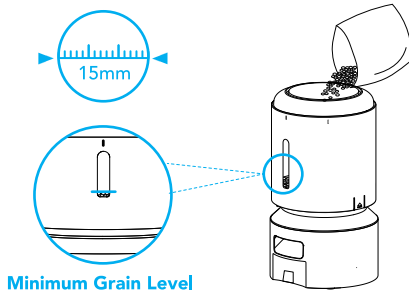
Align the food tank with the notches on both sides of the tank base.



4. Add dry pet food to the food tank.

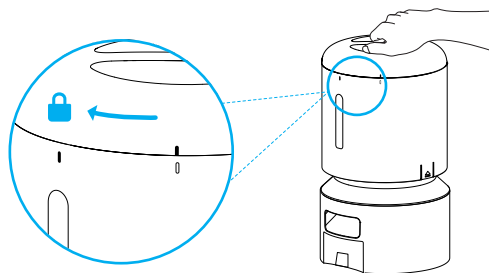
Notes:

- To prevent uneven food dispensing, please add enough pet food to the visible level.
- Recommended kibble size: 2-15mm/0.07-0.6 inch in diameter.
- Do not use canned, wet, or moist food.



5. Put the lid back on.

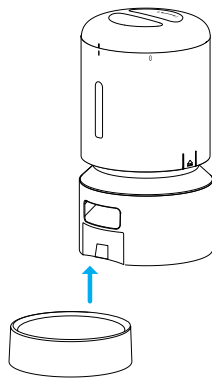
To snap into place, turn the lid clockwise from the right rotating sign to the left rotating sign.



6. Install the Food Bowl

Attach the bowl to the designated notches underneath the feeder base.

Note: Before moving the feeder, press the bowl down to remove it from the feeder base. If there is grain in the food bowl, handle it gently to avoid spilling. Hold the base instead of any other parts when lifting the feeder.

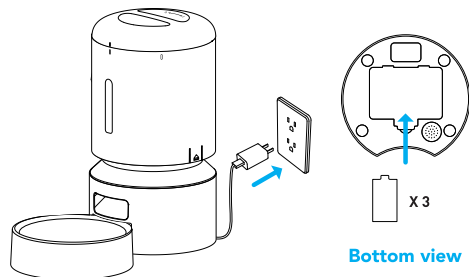


7. Connect Power

- 1) Plug the 5V power adapter into a power socket and the USB cable into the USB port on the back of the feeder.
- 2) The LED display will light up automatically to indicate the feeder is on.
- 3) Open the battery compartment at the bottom of the feeder. Install three alkaline D batteries (not included) in case of a power outage. Make sure the batteries match the positive and negative poles with the markings in the compartment.

Notes:

- **Batteries are not included.**
- **To avoid sudden power outage and the feeding of your pet is affected, do not use the batteries as the only source to power the feeder, the batteries can only be used as an emergency plan.**
- **To avoid battery leakage, remove the batteries if the device won't be in use for a period of time.**
- **When feeder is powered only by batteries, the WiFi function, record button and reset button would be disabled to extend the working time(it depends on versions), the meal schedules will be carried out normally.**





CONTROLLING VIA APP

***Note: The feeder supports 2.4GHz and 5GHz WiFi. Keep the feeder close to your router for better WiFi connection. The ideal range is within 6 meters/19.7 feet without obstacles and walls. It is recommended to use 2.4GHz WiFi connection when the distance is far or there are obstacles and walls.**

System Requirements

iPhone on iOS 10.0 or later; smartphone on Android 5.0 or later

Install the APP & Log in

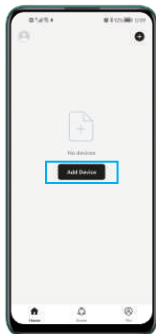
1. Scan the QR code on the right or search "PETLIBRO LITE" in App Store  or Google Play  to download the App.
2. Sign up and log into your account.



Add the Device

A. Add the Feeder Via Bluetooth Mode

- 1) Open the App, select Home page, tap "Add Device" or "+" in the upper right corner.



- 2) Choose PLAF103 WiFi Feeder.

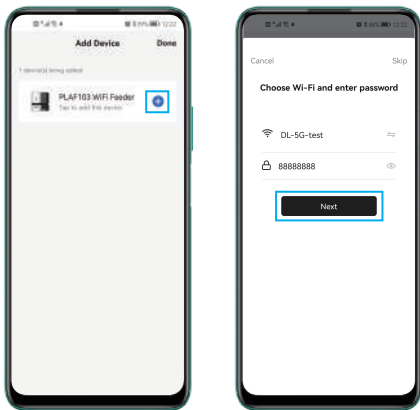


- 3) Follow the instructions on the screen, and **confirm the WiFi indicator on the feeder is flashing.**

(Note: If the WiFi indicator on the feeder is not flashing, hold the Unlock Button for 5s to unlock, the lock indicator goes out. Keep holding the reset button until the WiFi indicator keeps flashing.)



4) Add the device PLAF103 by entering WiFi account and password.



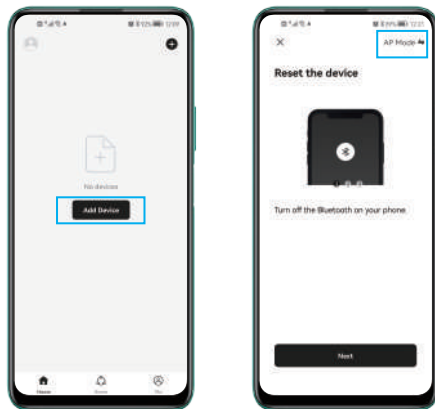
5) Feeder connected, start to set the feeding time and portions, record meal call, and set the times the meal call play.

B. Add the Feeder in AP Mode

1) Turn off the Bluetooth on your phone



2) Open the App, tap "Add Device" or "+" in the upper right corner, choose PLAF103 WiFi Feeder, tap the icon at the top right corner and choose AP mode.



3) Confirm the WiFi indicator on the feeder is flashing.

(Note: If the WiFi indicator on the feeder is not flashing, hold the Unlock Button for 5s to unlock, the lock indicator goes out. Keep holding the reset button until the WiFi indicator keeps flashing.)

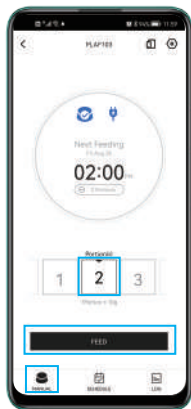
4) Enter your WiFi account and password, and go to the WiFi connection interface on your phone, find the device "SL-PETLIBRO-xxxx" and tap to connect.

5) Back to the App and wait for connecting.

6) Feeder connected, start to set the meal time and portion size, record meal call, and set the times the meal call play.

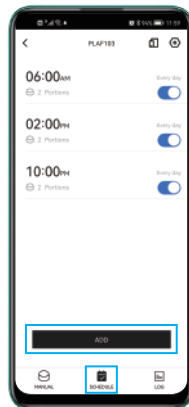
Manually Feeding the Pet

On **Manual** page, choose the **portion** you want to feed first, then tap the **Feed** icon. The feeder will feed immediately.



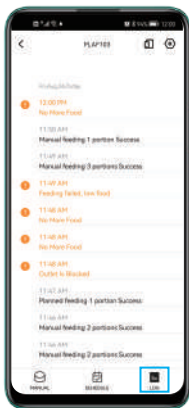
Set Meal Plan

On **Schedule** page, tap the **Add** icon, choose **feeding time**, **feeding days**, and **feeding portions**.




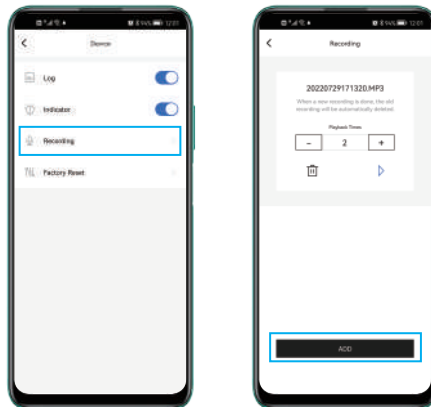
View the Logs

On Log page, you can view the feeding records and abnormal notifications.




Record a Meal Call & Set Playback Times

Tap  icon in the upper right corner → **Recording**, then tap the **Add** icon, follow the instructions on the screen to record a meal call, set the times the meal call play.




Note: The device can only keep the latest recording. When a new recording is done, the old recording will be automatically deleted.

Reset the Feeder on App

Tap  icon in the top right corner → **Factory Reset**, the feeder emits beeps: Di, DiDi, the WiFi indicator keeps flashing, it indicates the device is ready for re-connection.

Share the Device


Tap  icon in the top right corner → **Share Device** → **Add Sharing**.

If you want to add the feeder to another person's mobile phone, download the App and register a new account on his/her phone first, then you can share the device with the new account. Make sure the two accounts are registered in the same country.

Remove Device

Tap  icon in the top right corner → **Remove Device** → **Disconnect**.

Check FAQs and Send Feedback

Tap  icon in the top right corner → **FAQ&Feedback**. Check the frequently asked questions related to the device, and you can also submit questions and feedback to us.

CLEAN AND CARE

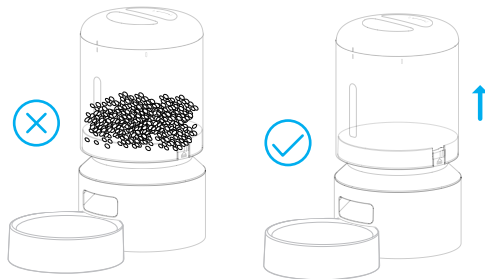
It's recommended to clean the feeder regularly for the health of pets.

The washable parts are as follows: lid, food tank, tank base, stainless steel bowl, and bowl holder.

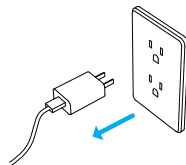
Clean other parts with a dry cloth.

Clean the tank lid, food tank, tank base

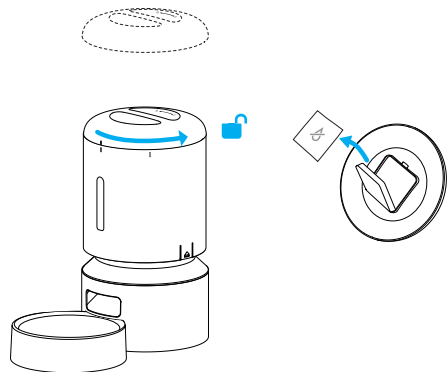
Before removing the food tank, be sure the food tank is empty in case of food **spilling all over**.



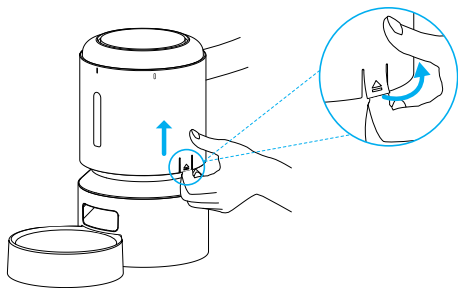
1. Disconnect power before cleaning.



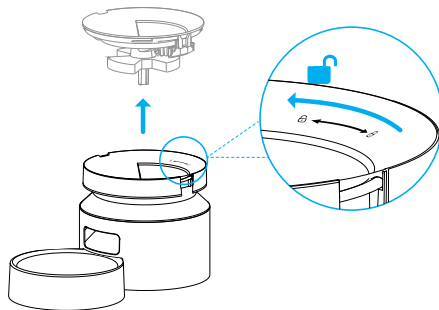
2. Twist anticlockwise to remove the lid and take out the desiccant bag from the inner box under the lid.



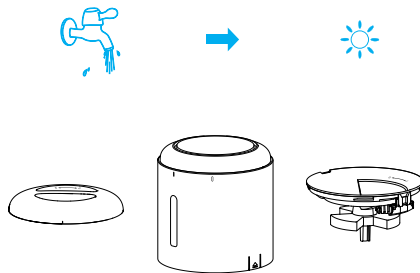
3. Pull the notches on both sides outward a little and then up to remove the food tank.



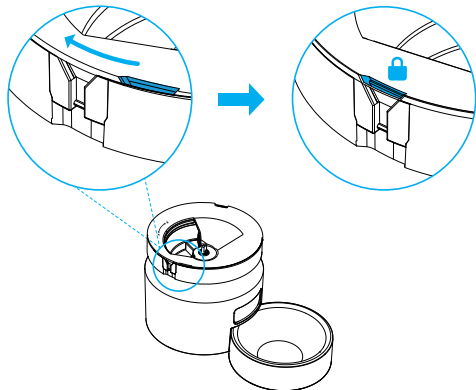
4. Twist anticlockwise to remove the tank base.



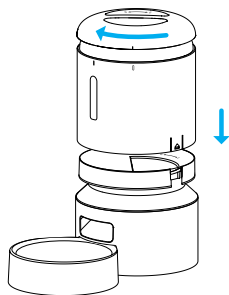
5. Thoroughly rinse and air dry the lid, tank and tank base .



6. Refit them to the machine. Turn the tank base clockwise until it snaps into place

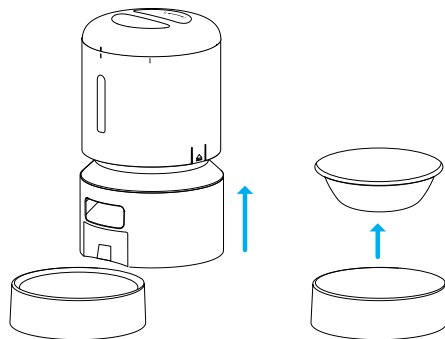


7. Then install the tank and lid.

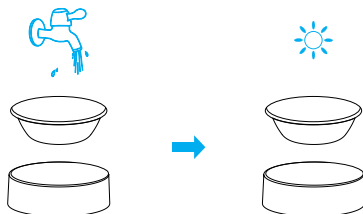


Clean the Food Bowl

1. Press down the food bowl with holder to remove them.



2. Rinse and air dry them thoroughly before refitting them to the machine.



TROUBLESHOOTING

The answers to these questions should help you solve most problems you may have with the pet feeder. If they do not, please contact our Customer Care Center via support@petlibro.com

Problem	Solution
Can't connect the feeder to WiFi	<ol style="list-style-type: none">1) Keep the feeder and your phone close to your router, make sure the network signal is good.2) Restart the feeder.3) Follow the APP's instructions or our operation videos to add the feeder. There are more than 1 adding methods to choose from.4) Contact our after-sales team via email for help.
The WiFi connection goes offline frequently	<ol style="list-style-type: none">1) Keep the feeder close to your router. make sure the network signal is good. It is ideal to make it within 6 meters / 19.7ft without obstacles and walls.2) Make sure the power cord is connected firmly.3) Restart the feeder.
I press the buttons but they don't work.	Press and hold the Unlock Button for 5s to unlock the buttons.
The indicators are off.	<ol style="list-style-type: none">1) Check whether the electricity is cut off.2) Check whether the indicator function is off on the App.
The portion amount is not the same.	The first few portions may vary, but it doesn't mean the appliance is faulty. After about 6 feedings, it should be almost even.

Problem	Solution
The food won't come out.	<ol style="list-style-type: none">1) Please make sure the food in the tank is dry, and food size is within 2-15 mm / 0.07-0.6 inch in diameter.2) Remove the food tank and tank base, check if the chute inside is blocked.3) Check if the anti-clog detector at the food outlet is dirty or blocked.4) Check whether the battery level is low, whether the power adapter is connected, whether power outage occurs when the power adapter is connected and batteries are not installed.
I can't remove the food tank.	Please pull the notches on both sides outward a little and then up to remove the food tank.

SPECIFICATIONS

Model	PLAF103
Capacity	5 liters
Power	DC 5V power adapter; 3 x alkaline D batteries (not included)
Power Adapter	AC100-240V, 50 / 60Hz Input, DC 5V output
Operating Temperature	0°C - 55°C / 32°F - 131°F
Dimensions	34 x 19 x19 cm / 13 x 7.5 x 7.5 in
Net Weight	1.66kg / 3.66lbs

DEUTSCH

SICHERHEITSRICHTLINIEN

! WARNUNG

- Entsorgen Sie alle Verpackungsmaterialien ordnungsgemäß. Einige Artikel können in Plastiktüten verpackt sein; diese Beutel können zum Ersticken führen; von Kindern und Haustieren fernhalten.
- Erlauben Sie kleinen Kindern NICHT, mit, in oder in der Nähe des Futterautomaten zu spielen.
- Um das Verletzungsrisiko zu verringern, beaufsichtigen Sie das Gerät bitte sorgfältig, wenn es in der Nähe von Kindern verwendet wird.
- Verwenden Sie den Futterautomat NICHT bei Haustieren, die die Futterschale nicht erreichen können oder bei denen eine körperliche Behinderung vorliegt.
- Tauchen Sie das Basisteil zu keinem Zeitpunkt in Wasser, da dies elektronische Komponenten wie das Bedienfeld beschädigen kann.
- Legen Sie KEINE Fremdkörper in den Futterautomaten.
- NICHT im Freien verwenden. Überprüfen Sie regelmäßig den Betrieb, um sicherzustellen, dass das Gerät richtig dosiert.
- Verwenden Sie KEIN Nass-, Konserven- oder Feuchtfutter.
- Zerlegen Sie das Gerät NICHT anders als in dieser Bedienungsanleitung beschrieben.
- Verwenden Sie den Futterautomat NICHT für andere Zwecke als den vorgesehenen Verwendungszweck.
- Verwenden Sie nur vom Hersteller empfohlene oder verkaufte Aufsätze. Die Verwendung von Zubehörteilen, die nicht vom Hersteller empfohlen oder verkauft werden, kann zu einem unsicheren Zustand führen. Verändern Sie den Futterautomat nicht.
- Betreiben Sie kein Gerät, wenn das Gerät nicht richtig funktioniert oder beschädigt ist. Versuchen Sie nicht, selbst Reparaturen am Futterautomaten durchzuführen. Wenden Sie sich umgehend an unseren Kundenservice,

um weitere Anweisungen zu erhalten.

- Ziehen Sie bei Nichtgebrauch und vor der Reinigung immer den Netzstecker.
- Ziehen Sie niemals am Netzkabel, um den Stecker aus der Steckdose zu ziehen.
- Wenn der Stecker dieses Geräts nass wird, schalten Sie die Stromzufuhr zu dieser Steckdose ein. Versuchen Sie nicht, den Stecker zu ziehen.
- Überprüfen Sie den Futterautomat nach der Installation. Nicht einstecken, wenn sich Wasser am Netzkabel oder Stecker befindet.
- Verlegen Sie das Netzkabel immer außerhalb des Fußgängerverkehrs, um Stolperfallen zu vermeiden.

VORSICHT

- Installieren oder lagern Sie den Futterautomat NICHT an Orten, an denen er Witterungseinflüssen oder Temperaturen unter 4°C / 39,2°F ausgesetzt ist.
- Verwenden Sie zur Stromversorgung Alkali-D-Batterien. Verwenden Sie KEINE wiederaufladbaren Batterien.
- Überprüfen Sie die Batterien regelmäßig. Ersetzen Sie die Batterien immer durch neue, bevor Sie sie für längere Zeit verlassen.
- Heben Sie den Futterautomat NICHT am Deckel, Futtertank oder Futtertablett an. Heben und tragen Sie es mit beiden Händen und der Basis, während Sie das Gerät in einer aufrechten Position halten.
- NUR für Trockenfutter geeignet, mit einer Krokettengröße von 2-15mm / 0,07-0,6 inch Durchmesser. Größere Kroketten können an der Futterausgabe stecken bleiben.
- Stecken Sie Ihre Finger nicht in den Lebensmittelauslass und lassen Sie Ihre Finger nicht den Rotor berühren.
- Lesen und beachten Sie alle wichtigen Hinweise auf dem Futterautomaten und auf der Verpackung.

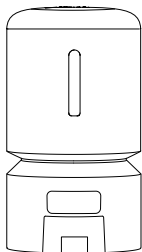
GARANTIE

- Ein Jahr Garantie
- Lebenslange Unterstützung

Für Anleitungen zur Produktnutzung und Garantieverlängerung wenden Sie sich bitte per E-Mail an unseren Marken-Kundendienst: **support@petlibro.com**.

Bei Fragen zu Bestellungen wenden Sie sich bitte über die Einkaufsplattform an den Verkäufer.

IN THE BOX



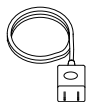
Futternapf mit Halter

X1



Futternapf mit Halter

X1



Stromadapter

X1



Benutzerhandbuch-Kit

X1

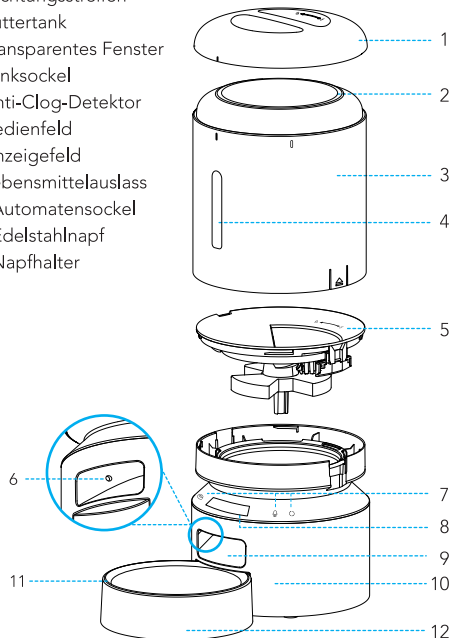


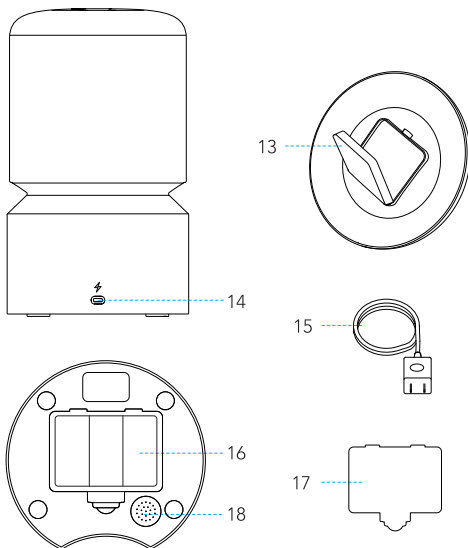
Trockenmittelbeutel

X1

PRODUKTÜBERSICHT

1. Decker
2. Dichtungsstreifen
3. Futtertank
4. Transparentes Fenster
5. Tanksockel
6. Anti-Clog-Detektor
7. Bedienfeld
8. Anzeigefeld
9. Lebensmittelauslass
10. Automatensockel
11. Edelstahlnapf
12. Napfhalter





- 13. Trockenmittelbox
- 14. Strombuchse
- 15. Stromadapter

- 16. Batteriefach
- 17. Fachdeckel
- 18. Lautsprecher

TASTEN- UND INDIKATORENÜBERSICHT

Tastenübersicht



Entsperrungstaste

Halten Sie die Taste für 5 Sekunden lang gedrückt, um das Bedienfeld zu entsperren, das Gerät gibt einen Di, DiDi-Ton aus. Im gesperrten Zustand ist nur diese Taste wirksam.



Aufnahmetaste

Halten Sie im entsperrten Zustand die Taste gedrückt und starten Sie mit der Aufnahme, nachdem ein Piepton zu hören ist.

Nehmen Sie Ihre Nachricht auf (Max. 10 Sekunden). Lassen Sie die Taste los, wenn Sie die Aufnahme beendet haben. Zwei Pieptöne zeigen an, dass die Aufnahme gespeichert ist.



Taste für manuelle Zufuhr

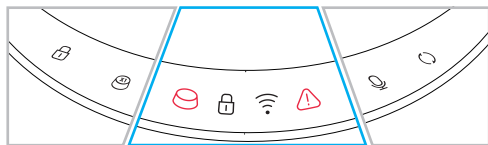
Im entsperrten Zustand drücken Sie die Taste einmal, um 1 Portion Futter auszugeben.



Zurücksetzungstaste

Halten Sie im entsperrten Zustand die Zurücksetzungstaste gedrückt, bis der Futterautomat Pieptöne ausgibt: Di, DiDi, der WLAN-Indikator blinkt weiter, dies zeigt an, dass das Gerät für eine erneute Verbindung bereit ist.

Indikatorenübersicht



Nahrungsniveauiндikator

Dieser Indikator leuchtet rot, wenn Nahrungsniveau niedrig ist. Er erlischt, wenn der Tank genug Nahrung hat.

Sperrungssymbol

Leuchtet auf, wenn das Bedienfeld gesperrt ist. Geht aus, wenn das Bedienfeld entsperrt ist.

Hinweis: Die Bedientasten werden nach 30 Sekunden Standby automatisch gesperrt.

WLAN-Indikator

Blinkt pro Sekunde	Der Automat ist bereit, sich mit dem WLAN zu verbinden.
Blinkt mehrmals pro Sekunde	Der Automat verbindet sich mit WLAN oder aktualisiert die Software.
Doppelblitz	WLAN-Passwortfehler.
Bleibt solide	Verbunden mit WLAN.
Aus	WLAN-Funktion ist ausgeschaltet.

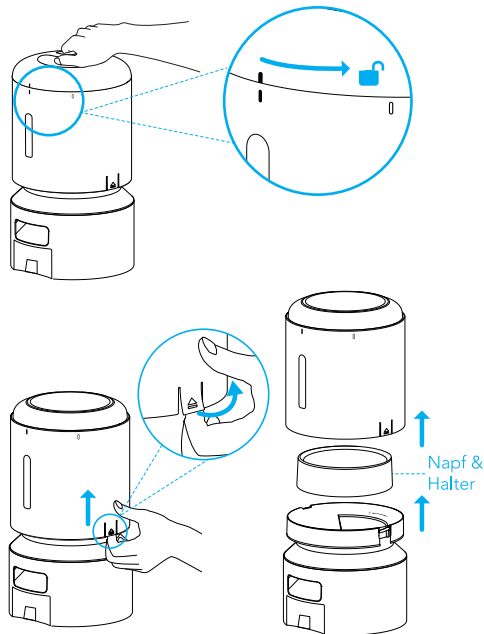
Arbeitsstatusindikator

On	Nahrungsblockaden oder der Motor funktioniert nicht.
Off	Alles funktioniert gut.

ZUSAMMENSTELLUNG DES FUTTERAUTOMATEN

Montage und Vorbereitung für die Einstellung

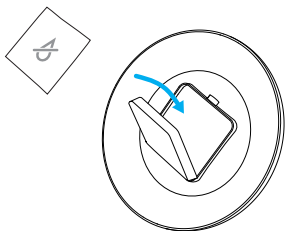
1. Nehmen Sie den Napf aus dem Futtertank heraus. Drehen Sie den Deckel gegen den Uhrzeigersinn, um den Deckel zu entfernen. Ziehen Sie die Kerben auf beiden Seiten etwas nach außen und dann nach oben, um den Tank zu entfernen.



2. Legen Sie den Trockenmittelbeutel in den Innenbehälter unter dem Deckel.

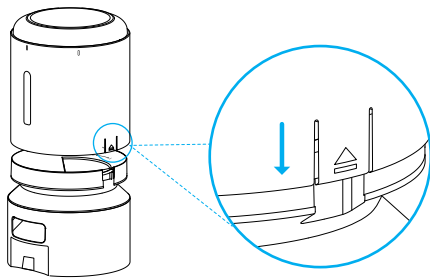
Hinweise:

- Es wird empfohlen, den Trockenmittelbeutel alle 15 Tage zu wechseln, um Schimmelbildung zu vermeiden.
- Entfernen Sie den Trockenmittelbeutel, bevor Sie den Deckel reinigen.



3. Installieren Sie den Futtertank.

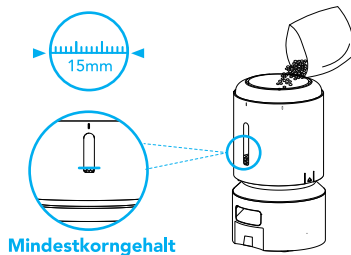
Richten Sie den Futtertank an den Kerben auf beiden Seiten des Tanksockels aus.



4. Fügen Sie Trockenfutter für Haustiere in den Futtertank hinzu.

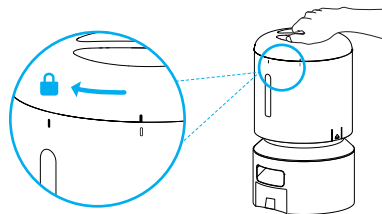
Hinweise:

- Um eine ungleichmäßige Futterausgabe zu vermeiden, fügen Sie bitte ausreichend Tierfutter bis zur sichtbaren Ebene hinzu.
- Empfohlene Krokettengröße: 2-15 mm/0,07-0,6in Durchmesser.
- Verwenden Sie keine Konserven, nasse oder feuchte Lebensmittel.



5. Setzen Sie den Deckel wieder auf.

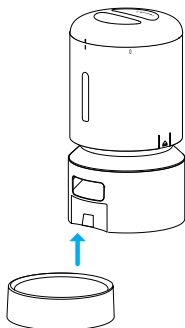
Zum Einrasten drehen Sie den Deckel im Uhrzeigersinn vom rechten Drehschild zum linken Drehschild.



6. Installieren Sie den Futternapf

Befestigen Sie den Napf an den dafür vorgesehenen Kerben unter dem Futterautomatsockel.

Hinweis: Bevor Sie den Futterautomat bewegen, drücken Sie den Napf nach unten, um sie von dem Futterautomatsockel zu entfernen. Wenn sich Getreide im Futternapf befindet, gehen Sie vorsichtig damit um, um ein Verschütten zu vermeiden. Halten Sie beim Anheben des Futterautomaten den Sockel anstelle anderer Teile.

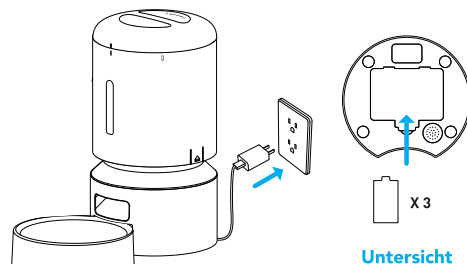


7. Stromanschluss

- 1) Stecken Sie das 5V-Netzteil in eine Steckdose und das USB-Kabel in den USB-Anschluss auf der Rückseite des Futterautomaten.
- 2) Das LED-Display leuchtet automatisch auf, um anzuzeigen, dass der Automat eingeschaltet ist.
- 3) Öffnen Sie das Batteriefach an der Unterseite des Futterautomaten. Legen Sie bei einem Stromausfall drei Alkaline-D-Batterien (nicht im Lieferumfang enthalten) ein. Achten Sie darauf, dass die Plus- und Minuspole der Batterien mit den Markierungen im Fach übereinstimmen.

Hinweise:

- Batterien sind nicht im Lieferumfang enthalten.
- Um einen plötzlichen Stromausfall und eine Beeinträchtigung der Fütterung Ihres Haustieres zu vermeiden, verwenden Sie die Batterien nicht als einzige Stromquelle für den Futterautomat, die Batterien können nur als Notfallplan verwendet werden.
- Um ein Auslaufen der Batterien zu vermeiden, entfernen Sie die Batterien, wenn das Gerät längere Zeit nicht benutzt wird.
- Wenn der Futterautomat nur mit Batterien betrieben wird, werden die WLAN-Funktion, die Aufnahmetaste und die Zurücksetzungstaste deaktiviert, um die Arbeitszeit zu verlängern (je nach Version), die Mahlzeitenpläne werden normal durchgeführt.





STEUERUNG ÜBER APP

***Hinweis: Der Futterautomat unterstützt 2,4-GHz- und 5-GHz-WLAN. Halten Sie den Futterautomat für eine bessere WLAN-Verbindung in der Nähe Ihres Routers. Die ideale Reichweite liegt innerhalb von 6 Metern / 19,7FT ohne Hindernisse und Wände. Es wird empfohlen, eine 2,4-GHz-WLAN-Verbindung zu verwenden, wenn die Entfernung groß ist oder Hindernisse und Wände vorhanden sind.**

Systemanforderungen

iPhone mit iOS 10.0 oder höher; Smartphone mit Android 5.0 oder höher.

Installieren Sie die APP und melden Sie sich an

1. Scannen Sie den QR-Code rechts oder suchen Sie im App Store  oder bei Google Play  nach „PETLIBRO LITE“, um die App herunterzuladen.

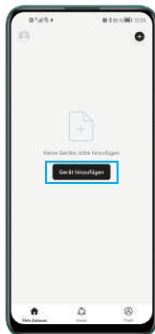


2. Registrieren Sie sich und melden Sie sich bei Ihrem Konto an.

Fügen Sie das Gerät hinzu

A.Fügen Sie den Futterautomat über den Bluetooth-Modus hinzu

1)Öffnen Sie die App, wählen Sie die Startseite aus und tippen Sie oben rechts auf „Gerät hinzufügen“ oder „+“.



2)Wählen Sie PLAF103 WLAN-Futterautomat.

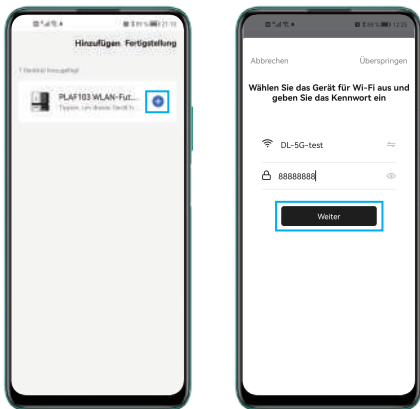


3)Befolgen Sie die Anweisungen auf dem Bildschirm und **stellen Sie sicher, dass der WLAN-Indikator am Futterautomat blinkt.**

(Hinweis: Wenn der WLAN-Indikator am Futterautomat nicht blinkt, halten Sie zum Entsperren die Entsperrungstaste 5 Sekunden lang gedrückt, der Sperrungsindikator erlischt. Halten Sie die Zurücksetzungstaste so lange gedrückt, bis der WLAN-Indikator weiter blinkt.)



4) Fügen Sie das Gerät PLAF103 hinzu, indem Sie das WLAN-Konto und das Passwort eingeben.



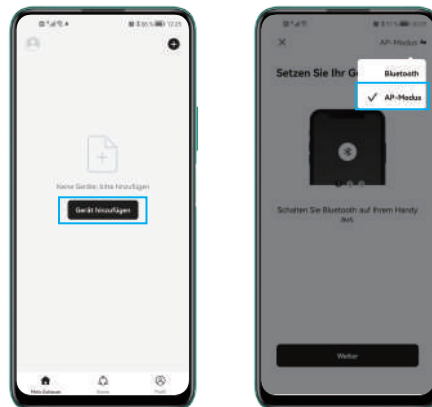
5) Verbinden Sie den Futterautomat, beginnen Sie mit der Einstellung der Fütterungszeit und -portionen, nehmen Sie den Essensanruf auf und stellen Sie ein, wie oft diese Aufnahme gespielt wird.

B. Fügen Sie den Futterautomat im AP-Modus hinzu

1) Schalten Sie das Bluetooth auf Ihrem Handy aus.



2) Öffnen Sie die App, tippen Sie auf „Gerät hinzufügen“ oder „+“ in der oberen rechten Ecke, wählen Sie PLAF103 WLAN- Futterautomat, tippen Sie auf das Symbol in der oberen rechten Ecke und wählen Sie den AP-Modus.



3) Stellen Sie sicher, dass der WLAN-Indikator am Futterautomat blinkt.

(Hinweis: Wenn der WLAN-Indikator am Futterautomat nicht blinkt, halten Sie zum Entsperren die Entsperrungstaste 5 Sekunden lang gedrückt, der Sperrungsindikator erlischt. Halten Sie die Zurücksetzungstaste so lange gedrückt, bis der WLAN-Indikator weiter blinkt.)

4) Geben Sie Ihr WLAN-Konto und Passwort ein und gehen Sie zur WLAN-Verbindungsschnittstelle auf Ihrem Handy, suchen Sie das Gerät „SL-PETLIBRO-xxxx“ und tippen Sie darauf, um eine Verbindung herzustellen.

5) Zurück zur App und warten Sie auf die Verbindung.

6) Wenn der Futterautomat angeschlossen ist, beginnen Sie mit der Einstellung der Essenszeit und der Portionsgröße, nehmen Sie den Essensruf auf und stellen Sie ein, wie oft der Essensruf abgespielt wird.

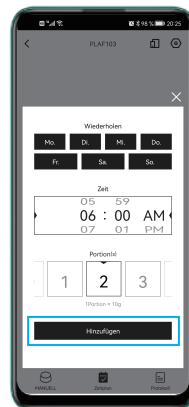
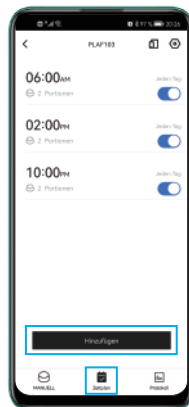
Manuelle Fütterung des Haustiers

Wählen Sie auf der **manuellen** Seite zuerst die **Portion** aus, die Sie füttern möchten, und tippen Sie dann auf das **Füttern-Symbol**. Der Futterautomat wird sofort füttern.



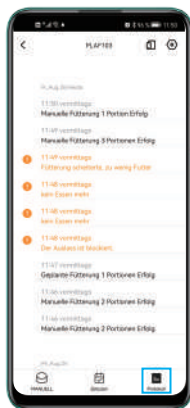
Einstellung des Mahlzeitenplans

Tippen Sie auf der **Zeitplanseite** auf das Symbol **Hinzufügen**, wählen Sie Fütterungszeit, Fütterungstage und Fütterungsportionen aus.



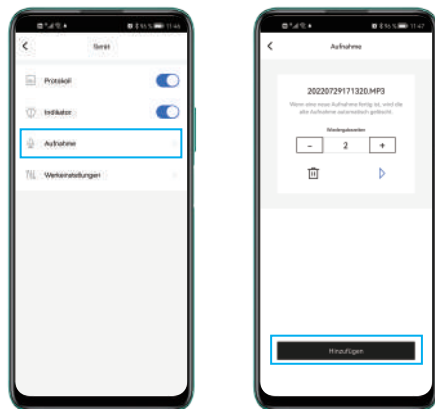
Nachsehen der Protokolle

Auf der Protokollseite können Sie sich über die Fütterungsaufzeichnungen und ungewöhnlichen Benachrichtigungen informieren.



Aufnehmen eines Essensanrufs auf & Festlegen der Wiedergabezeiten

Tippen Sie auf das Symbol  in der oberen rechten Ecke → Aufnahme, tippen Sie dann auf das Symbol Hinzufügen, befolgen Sie die Anweisungen auf dem Bildschirm, um einen Essensruf aufzunehmen, und stellen Sie die Zeiten ein, zu denen der Essensruf abgespielt wird.



Hinweis: Das Gerät kann nur die letzte Aufnahme speichern. Wenn eine neue Aufnahme fertig ist, wird die alte Aufnahme automatisch gelöscht.

Zurücksetzen des Futtermaten in der App

Tippen Sie auf das Symbol  in der oberen rechten Ecke → **Zurücksetzen auf die Werkeinstellungen**, der Automat gibt Pieptöne aus: Di, DiDi, der WLAN-Indikator blinkt weiter, dies zeigt an, dass das Gerät bereit für eine erneute Verbindung ist

Teilen dieses Geräts

Tippen Sie auf das Symbol  in der oberen rechten Ecke → **Teilen des Geräts** → **Hinzufügen des Teils**.

Wenn Sie den Futtermaten zum Handy einer anderen Person hinzufügen möchten, laden Sie die App herunter und registrieren Sie zuerst ein neues Konto auf seinem/ihrer Telefon, dann können Sie das Gerät mit dem neuen Konto teilen. Stellen Sie sicher, dass die beiden Konten im selben Land registriert sind.

Entfernen des Geräts

Tippen Sie auf das Symbol  oben rechts → **Entfernen des Geräts** → **Trennen**.

Überprüfen der FAQs und Senden der Feedbacks

Tippen Sie auf das Symbol  oben rechts → **FAQ & Feedback**.

Überprüfen Sie die häufig gestellten Fragen zum Gerät, und Sie können uns auch Fragen und Feedback senden.

REINIGUNG UND PFLEGE

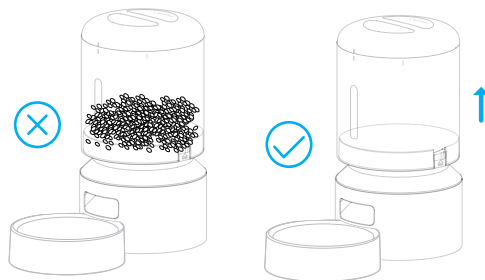
Es wird empfohlen, den Futtermaten für die Gesundheit von Haustieren regelmäßig zu reinigen.

Die waschbaren Teile sind wie folgt: Deckel, Futtertank, Tanksockel, Edelstahlnapf und Napfhalter.

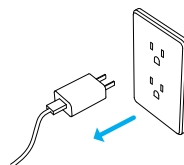
Reinigen Sie andere Teile mit einem trockenen Tuch.

Reinigen des Tankdeckels, Futtertanks und Tanksockels

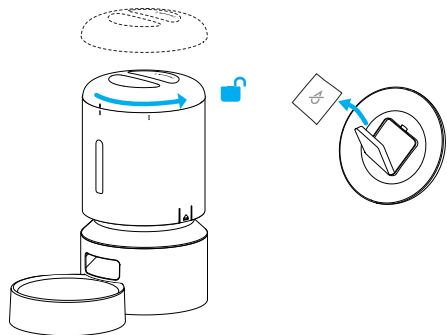
Stellen Sie vor dem Entfernen des Futtertanks sicher, dass der Futtertank leer ist, falls das Futter überläuft.



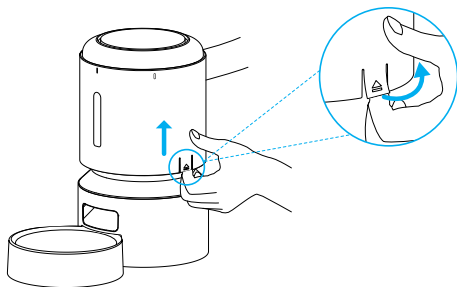
1. Trennen Sie die Stromversorgung vor der Reinigung.



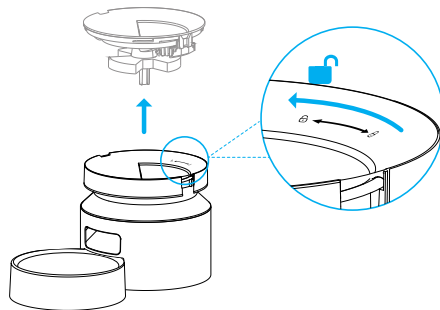
2. Drehen Sie gegen den Uhrzeigersinn, um den Deckel zu entfernen, und nehmen Sie den Trockenmittelbeutel aus dem Innenbehälter unter dem Deckel.



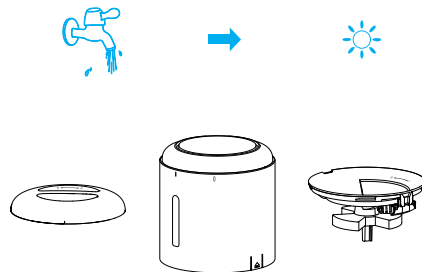
3. Ziehen Sie die Kerben auf beiden Seiten etwas nach außen und dann nach oben, um den Futtertank zu entfernen.



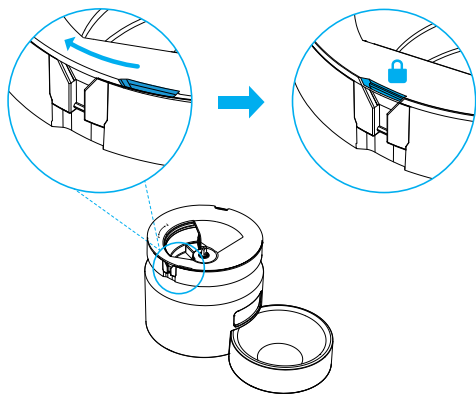
4. Drehen Sie gegen den Uhrzeigersinn, um den Tankboden zu entfernen.



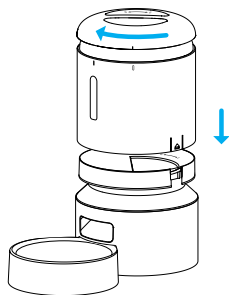
5. Spülen Sie Deckel, Tank und Tanksockel gründlich ab und trocknen Sie sie an der Luft.



6. Bringen Sie sie wieder an der Maschine an. Drehen Sie den Tanksockel im Uhrzeigersinn, bis er einrastet.

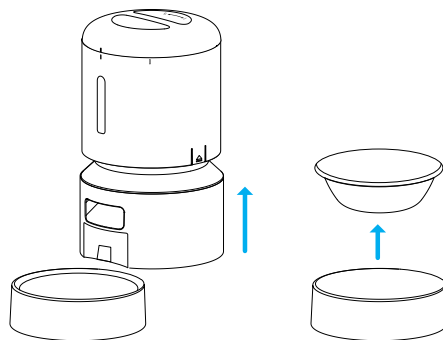


7. Dann montieren Sie den Tank und Deckel.

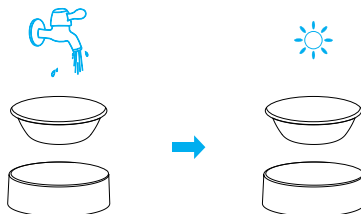


Reinigen des Futternapfs

1. Drücken Sie den Futternapf mit Halter nach unten, um ihn zu entfernen.



2. Spülen Sie sie gründlich ab und lassen Sie sie an der Luft trocknen, bevor Sie sie wieder an der Maschine anbringen.



FEHLERBEHEBUNG

Die Antworten auf diese Fragen sollten Ihnen bei der Lösung der meisten Probleme mit dem Futterautomat helfen. Wenn nicht, wenden Sie sich bitte an unser Kundendienstzentrum unter support@petlibro.com.

Problem	Lösung
Der Futterautomat kann nicht mit WLAN verbunden werden.	<ol style="list-style-type: none"> Halten Sie den Futterautomat und Ihr Handy in der Nähe von Ihrem Router, stellen Sie sicher, dass das Netzwerksignal gut ist. Starten Sie den Automaten neu. Befolgen Sie die Anweisungen der APP oder unsere Betriebsvideos, um den Automaten hinzuzufügen. Wenden Sie sich per E-Mail an unser Kundendienstteam, um Hilfe zu erhalten.
Die WLAN-Verbindung geht häufig offline.	<ol style="list-style-type: none"> Halten Sie den Futterautomaten in der Nähe Ihres Routers. Stellen Sie sicher, dass das Netzwerksignal gut ist. Es ist ideal, um es innerhalb von 6 Metern / 19,7ft ohne Hindernisse und Wände zu schaffen. Stellen Sie sicher, dass das Netzkabel fest angeschlossen ist. Starten Sie den Futterautomaten neu.
Ich habe die Tasten gedrückt, aber sie funktionieren nicht.	Halten Sie die Entsperrungstaste für 5 Sekunden lang gedrückt, um die Tasten zu entsperren.
Die Indikatoren sind aus.	<ol style="list-style-type: none"> Überprüfen Sie, ob die Stromversorgung unterbrochen ist. Überprüfen Sie, ob die Indikatorfunktion in der App ausgeschaltet ist.
Die Nahrungsmenge jeder Portion ist nicht gleich.	Die ersten paar Portionen können variieren, aber das bedeutet nicht, dass es fehlerhaft ist. Nach etwa 6 Fütterungen sollte es fast gleichmäßig sein.

Problem	Solution
Das Essen kommt nicht heraus.	<ol style="list-style-type: none"> Bitte stellen Sie sicher, dass die Lebensmittel im Tank trocken sind und die Lebensmittelgröße innerhalb von 2-15 mm / 0,07-0,6 inch im Durchmesser liegt. Entfernen Sie den Futtertank und den Tanksockel und prüfen Sie, ob die Rutsche im Inneren blockiert ist. Überprüfen Sie, ob der Anti-Clog-Detektor am Lebensmittelausgang verschmutzt oder blockiert ist. Prüfen Sie, ob der Akkustand niedrig ist, ob das Netzteil angeschlossen ist, ob ein Stromausfall auftritt, wenn das Netzteil angeschlossen und keine Batterien eingelegt sind.
Ich kann den Futtertank nicht entfernen.	Bitte ziehen Sie die Kerben auf beiden Seiten etwas nach außen und dann nach oben, um den Futtertank zu entnehmen.

SPEZIFIKATIONEN

Modell	PLAF103
Kapazität	5 Liter
Strom	DC-5V-Stromadapter; 3 x Alkaline D-Batterien (nicht im Lieferumfang enthalten)
Stromadapter	Input: AC100-240V, 50 / 60Hz Output: DC 5V
Betriebstemperatur	0°C - 55°C / 32°F - 131°F
Dimensionen	34 x 19 x 19 cm / 13 x 7,5 x 7,5 in
Nettogewicht	1.66kg / 3.66lbs