



www.petlibro.com



## PETLIBRO

Granary Automatic Pet Feeder — WiFi Control 5L  
Double Food Tray

**Model:** PLAF103

©Libro Corp. All Rights Reserved.

**Manufacturer:** Shenzhen Libro Technology Co., Ltd.

**Address:** 12/F, Tower B, GALAXY WORLD, Yabao Road,  
Longgang District, Shenzhen, China

Made in China

PLAF103\_V2.1

CAN ICES-3 (B)/NMB-3(B)

FCC ID: 2A3DE-PLAF103



This device complies with Part 15 of the FCC Rules. Operation is subject to the following two conditions: (1) this device may not cause harmful interference, and (2) this device must accept any interference received, including interference that may cause undesired operation.

Model: PLAF103

# USER MANUAL

Granary Automatic Pet Feeder — WiFi Control 5L  
Double Food Tray

Read this manual before using the product, and keep it for future reference.  
This product is intended for household use only.

# CONTENTS

---

## English

SAFETY GUIDELINES	01
WARRANTY	04
IN THE BOX	05
PRODUCT OVERVIEW	06
BUTTONS AND INDICATORS OVERVIEW	08
SET UP THE FEEDER	10
CONTROLLING VIA APP	16
CLEAN AND CARE	25
TROUBLESHOOTING	30
SPECIFICATIONS	31

# CONTENTS

---

## Deutsch

SICHERHEITSRICHTLINIEN	33
GARANTIE	34
IN DER BOX	35
PRODUKTÜBERSICHT	36
TASTEN- UND INDIKATORÜBERSICHT	38
ZUSAMMENSTELLUNG DES FUTTERAUTOMATEN	40
STEUERUNG ÜBER APP	46
REINIGUNG UND PFLEGE	55
FEHLERBEHEBUNG	60
SPEZIFIKATIONEN	62

## ENGLISH

## SAFETY GUIDELINES

### ! WARNING

- Dispose of all packaging materials properly. Some items may be packed in plastic bags; these bags could cause suffocation. Keep them away from children and pets.
- Do NOT use the feeder with pets that are not able to reach the food tray or with any physical disability.
- Do NOT immerse the base part in water at any time as it may damage electronic components like the control panel.
- Do NOT use the unit outdoors. Check its operation frequently to be sure it is dispensing properly.
- Do NOT use wet, canned or moist food.
- Do NOT disassemble the unit other than as instructed in this user manual.
- Only use accessories recommended or sold by the manufacturer. The use of accessories not recommended or sold by the manufacturer may cause an unsafe condition. Do not modify the pet feeder.
- Examine the feeder after installation. Do not plug in if there is water on the power cord or plug.
- To avoid tripping, always position the power cable out of the way of foot traffic.

### CAUTION

- Do NOT install or store the pet feeder where it will be exposed to weather or temperatures below 4°C / 39.2°F.
- Use alkaline D batteries to power the unit. Do NOT use rechargeable batteries.
- Check the batteries regularly. Before leaving for an extended period of time, always replace batteries with new ones.
- Do not lift the pet feeder by the lid, food tank, or food tray. Lift and carry it using both hands and the base, while keeping the unit in an upright position.
- Suitable for dry food ONLY, with kibble sizes ranging from 2–15mm (0.07–0.5in) in diameter. Larger kibble may get stuck at the food outlet.
- Do not put your fingers into the food outlet or let your fingers touch the rotor.

This device complies with Part 15 of the FCC Rules. Operation is subject to the following two conditions:

- (1) this device may not cause harmful interference, and
- (2) this device must accept any interference received, including interference that may cause undesired operation.

Changes or modifications to this unit not expressly approved by the party responsible for compliance could void the user's authority to operate the equipment.

## NOTE:

This equipment has been tested and found to comply with the limits for a Class B digital device, pursuant to Part 15 of the FCC Rules. These limits are designed to provide reasonable protection against harmful interference in a residential installation. This equipment generates, uses and can radiate radio frequency energy and, if not installed and used in accordance with the instructions, may cause harmful interference to radio communications. However, there is no guarantee that interference will not occur in a particular installation. If this equipment does cause harmful interference to radio or television reception, which can be determined by turning the equipment off and on, the user is encouraged to try to correct the interference by one or more of the following measures:

- Reorient or relocate the receiving antenna.
- Increase the separation between the equipment and receiver.
- Connect the equipment into an outlet on a circuit different from that to which the receiver is connected.
- Consult the dealer or an experienced radio/TV technician for help.

This device and its antenna(s) must not be co-located or operation in conjunction with any other antenna or transmitter.

## Radiation Exposure Statement

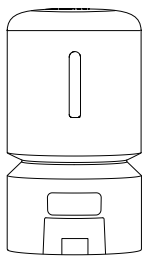
To maintain compliance with FCC's RF Exposure guidelines, This equipment should be installed and operated with minimum distance of 20cm from your body.

## WARRANTY

- 1-year warranty
- Lifetime support

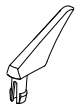
For guidance on product use, please contact our customer service team via email: **support@petlibro.com**.

## IN THE BOX



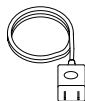
Automatic Pet Feeder

X1



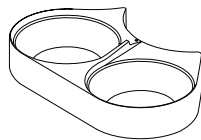
Meal Splitter

X1



Power Adapter

X1



Double Food Bowl  
with Holder

X1



User Guide Kit

X1

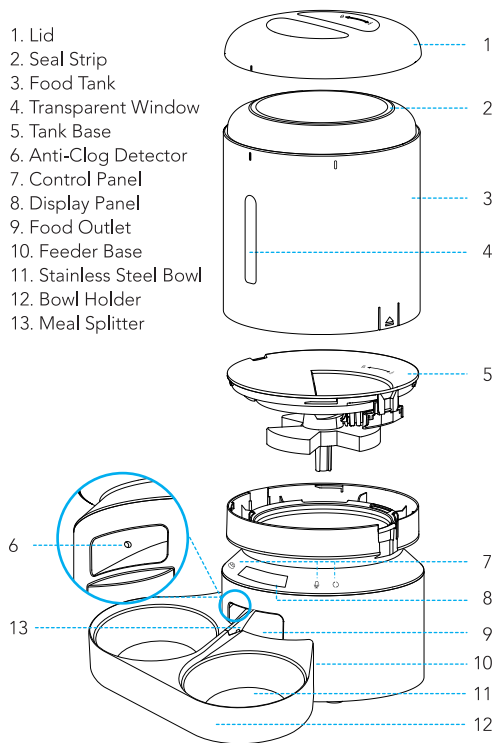


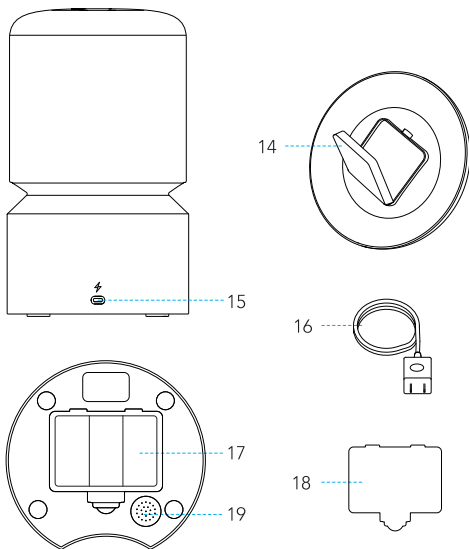
Desiccant Bag

X1

## PRODUCT OVERVIEW

1. Lid
2. Seal Strip
3. Food Tank
4. Transparent Window
5. Tank Base
6. Anti-Clog Detector
7. Control Panel
8. Display Panel
9. Food Outlet
10. Feeder Base
11. Stainless Steel Bowl
12. Bowl Holder
13. Meal Splitter





- 14. Desiccant Box
- 15. Power Jack
- 16. Power Adapter

- 17. Battery Compartment
- 18. Compartment Lid
- 19. Speaker

## BUTTONS AND INDICATORS OVERVIEW

### Buttons Overview



#### Unlock Button

To unlock the control panel, press and hold the button for 5 seconds; the device emits a "di" sound and a "didi" sound.



#### Record Button

In the unlocked state, press and hold the button, and start recording after a beep is heard. Record your message (maximum 10 seconds). When you finish recording, release the button, and you will hear two beeps, indicating the recording is saved.



#### Manual Feeding Button

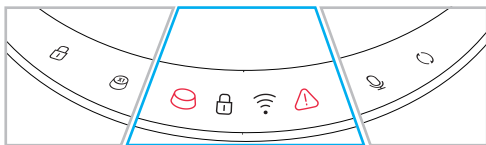
In the unlocked state, press once to dispense 1 portion of food.



#### Reset Button

In the unlocked state, press and hold the button until the device emits a "di" sound and a "didi" sound. The WiFi indicator flashes rapidly at first, indicating the device is resetting, and then slowly, indicating the device is ready for reconnection.

## Indicators Overview



### Food Level Indicator

Light up red if the food level is low.  
Off if the tank has enough food.

### Lock Indicator

On if the control panel is locked.  
Off if the control panel is unlocked.

**Note: The control buttons will be locked automatically after 30 seconds of standby.**

### WiFi Indicator

Flash every one second	The feeder is ready to connect to WiFi.
Flash several times per second	The feeder is connecting to WiFi or upgrading the software.
Double flash	WiFi password error.
Stay solid	Connected to WiFi.
Off	WiFi function is off.

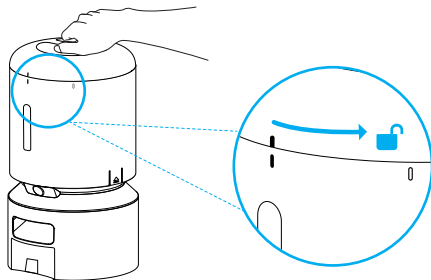
### Work Status Indicator

On	Food blockage or the motor can't work.
Off	Everything is working well.

## SET UP THE FEEDER

### Assembly and Preparation for Setting

1. Turn the lid counterclockwise and take out the power adapter and user manual inside.



2. Connect to a power source.

- 1) Plug the 5V power adapter into a power socket and the USB cable into the USB port on the back of the feeder.
- 2) The LED display will light up automatically to indicate the feeder is on.
- 3) Open the battery compartment at the bottom of the feeder. Install three alkaline D batteries (not included) in case of a power outage. Make sure the batteries match the positive and negative poles with the markings in the compartment.

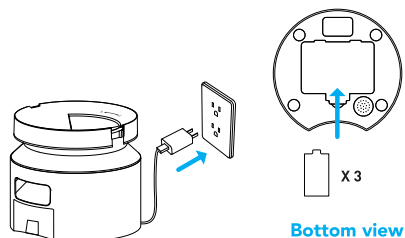
### Notes:

•Batteries are not included.

•To avoid a sudden power outage that affects the feeding of your pet, do not use the batteries as the only power source. The batteries can only be used as an emergency plan.



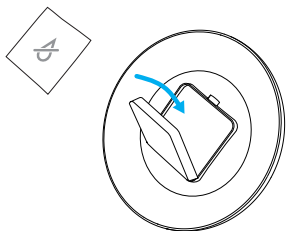
- To avoid battery leakage, remove the batteries if the device won't be in use for an extended period of time.
- When the feeder is powered only by batteries, the WiFi function, record button, and reset button would be disabled to extend the working time (it depends on versions), but the meal schedules would be carried out normally.



3. Place the desiccant bag into the inner box under the lid.

**Notes:**

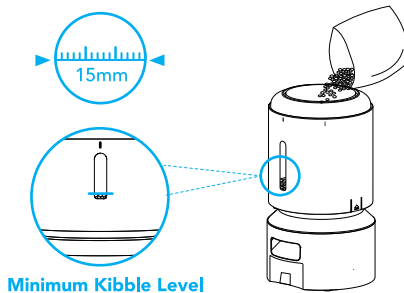
- It is recommended to change the desiccant bag every 15 days to prevent mold growth.
- Remove the desiccant bag before cleaning the lid.



4. Add dry pet food to the food tank.

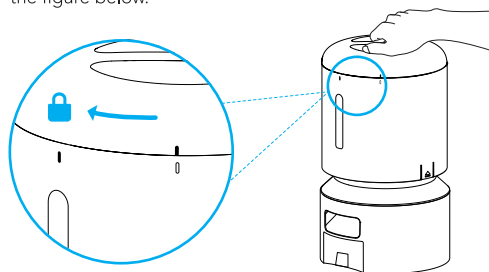
**Notes:**

- To prevent uneven food dispensing, please add enough food to the feeder. Make sure you can see at a glance how much kibble is left
- Recommended kibble size: 2–15mm (0.07–0.5in) in diameter.
- Do not use canned, wet, or moist food.

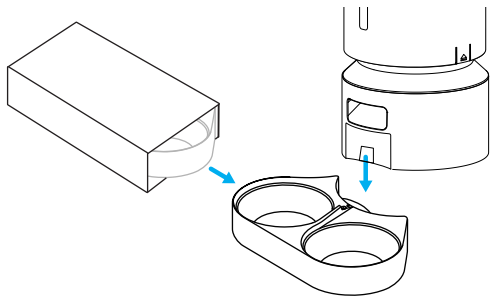


5. Put the lid back on.

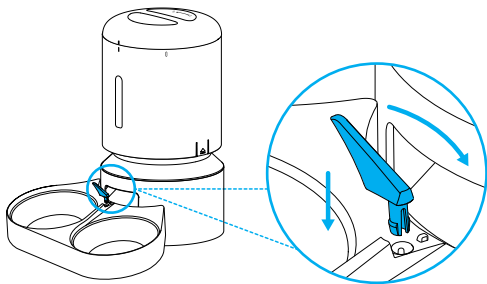
To snap into place, turn the lid clockwise from the right rotating sign to the left rotating sign (black), as shown in the figure below.



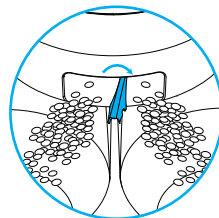
6. Take out and install the double food tray.  
Attach the double food tray to the notch underneath the feeder base.



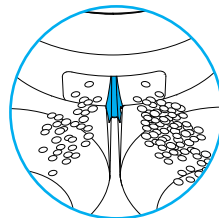
7. Install the meal splitter by aligning it with the round hole.



To dispense the same amount of food, move the splitter to its maximum right until it can't be moved anymore. (The splitter will be positioned toward the right from the middle of the food outlet.)



Food Amount: Left = Right

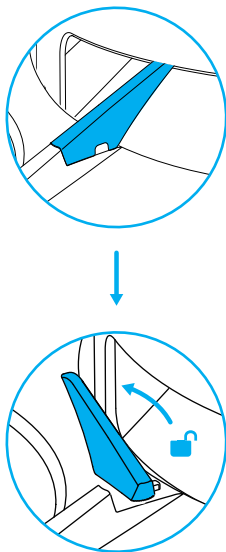


Food Amount: Left  $\neq$  Right



**Note:** If the splitter is positioned in the middle of the food outlet, the feeder may not dispense an equal amount of food.

**Note:** To remove the bowl holder from the feeder base, move the meal splitter away from the food outlet.



If there is kibble in the food bowl, handle it gently to avoid spilling. Hold the base instead of any other parts when lifting the feeder.



## CONTROLLING VIA APP

**Note:** The feeder supports 2.4GHz and 5GHz WiFi. Keep the feeder close to your router for a better WiFi connection. The ideal range is within 6 meters (19.7 feet) without obstacles and walls. It is recommended to use a 2.4GHz WiFi connection when the distance is great or there are obstacles like walls.

### System Requirements

Supports iPhones running iOS 10.0 or later and Android smartphones running Android 5.0 or later.

### Install the App & Log in

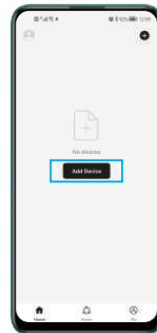
1. Scan the QR code on the right or search "PETLIBRO LITE" in the App Store  or Google Play  to download the app.
2. Sign up and log into your account.



### Add the Device

#### A. Add the Feeder via Bluetooth Mode

- 1) Open the app, select the Home page, and tap "Add Device" or "+" in the upper right corner.



2) Select PLAF103 WiFi Feeder.

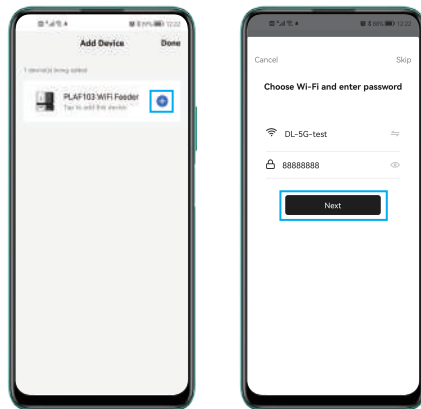


3) Follow the instructions on the screen and confirm the WiFi indicator on the feeder is flashing.

(Note: If the WiFi indicator on the feeder is not flashing, hold the unlock button for 5 seconds to unlock; the lock indicator goes out. Press and hold the reset button until the WiFi indicator flashes rapidly.)



4) Add the device PLAF103 by entering a WiFi account and password.



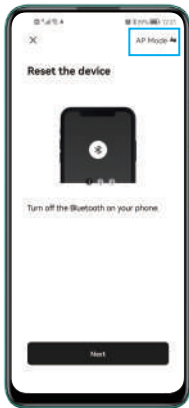
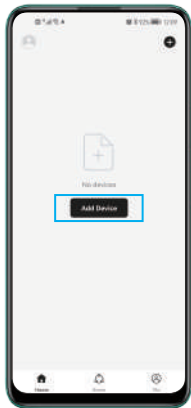
5) After the feeder is connected, begin setting the feeding time and portions, record the meal call, and set the times the meal call will play.

## B. Add the Feeder in AP Mode

1) Turn off the Bluetooth on your phone.



2) Open the App, tap "Add Device" or "+" in the upper right corner, and select PLAF103 WiFi Feeder. Tap the icon in the upper right corner and select AP Mode.



3) Confirm the WiFi indicator on the feeder is flashing.

**(Note: If the WiFi indicator on the feeder is not flashing, hold the unlock button for 5 seconds to unlock; the lock indicator goes out. Press and hold the reset button until the WiFi indicator flashes rapidly.)**

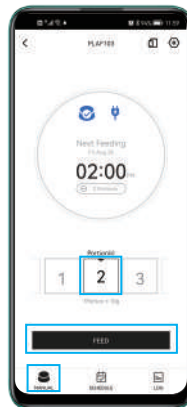
4) Enter your WiFi account and password, and go to the WiFi connection interface on your phone. Find the device "SL-PETLIBRO-xxxx" and tap to connect.

5) Go back to the app and wait for the device to connect.

6) After the feeder is connected, begin setting the feeding time and portions, record the meal call, and set the times the meal call will play.

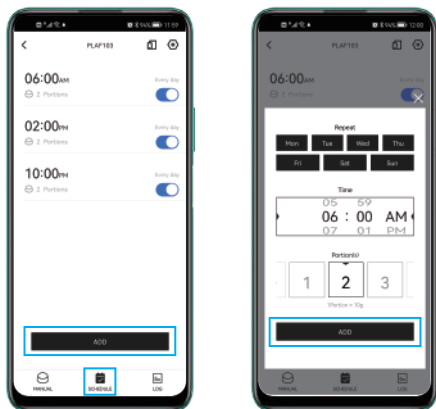
## Manually Feeding the Pet

On **Manual** page, choose the **portion** you want to feed first, then tap the **Feed** icon. The feeder will feed immediately.



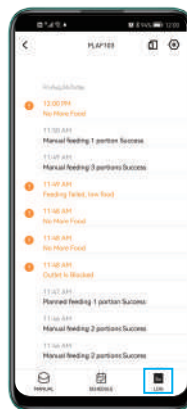
## Set Meal Plan

On **Schedule** page, tap the **Add** icon, and then choose **feeding time**, feeding days, and **feeding portions**.




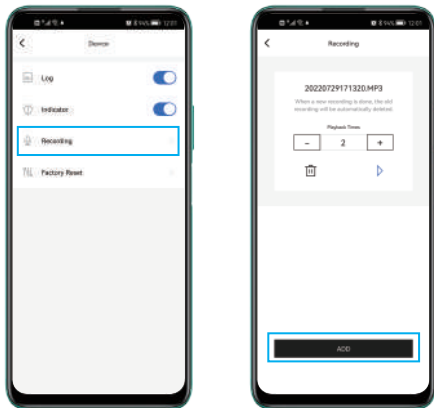
## View the Logs

On Log page, you can view the feeding records and abnormal notifications.



## Record a Meal Call & Set Playback Times

Tap  icon in the upper right corner, go to Recording, then tap the Add icon. Follow the instructions on the screen to record a meal call and set the times the meal call will play.



**Note: The device can only keep the latest recording. When a new recording is done, the old recording will be automatically deleted.**

## Reset the Feeder on the App


Tap  icon in the upper right corner, then go to Factory Reset. The device will emit a "di" sound and a "didi" sound. The WiFi indicator flashes rapidly at first, indicating the device is resetting, and then slowly, indicating the device is ready for reconnection.

## Share the Device

Tap  icon in the upper right corner, then go to **Share Device > Add Sharing**.

If you want to add the feeder to another person's mobile phone, download the app and register a new account on his/her phone first, then you can share the device with the new account. Make sure the two accounts are registered in the same country.

## Remove Device

Tap  icon in the top right corner, then go to **Remove Device > Disconnect**.

## Check FAQs and Send Feedback

Tap  icon in the top right corner, then go to **FAQ & Feedback**.

Check the frequently asked questions related to the device, and you can also submit questions and feedback to us.

## CLEAN AND CARE

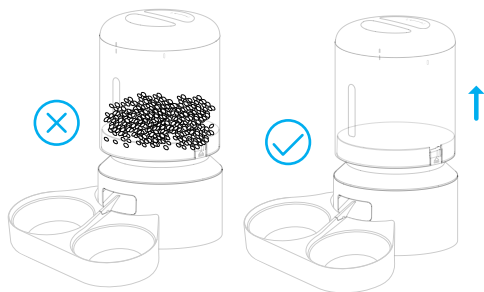
It's recommended to clean the feeder regularly for the health of your pets.

The washable parts are as follows: lid, food tank, tank base, stainless steel bowl, and bowl holder.

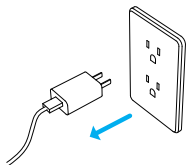
Use a dry cloth to clean the remaining parts.

### Clean the Tank Lid, Food Tank, and Tank Base

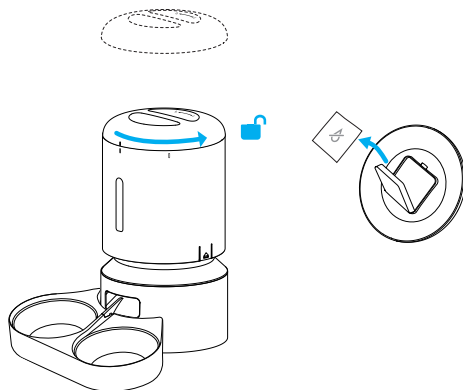
Before removing the food tank, be sure the tank is empty in case food spills all over.



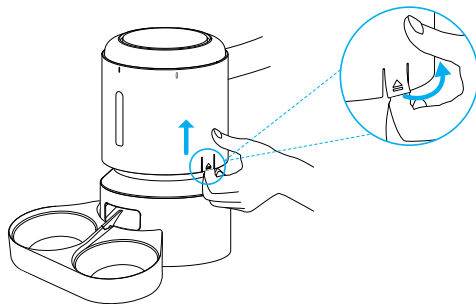
1. Disconnect the power before cleaning.



2. Turn the lid counterclockwise to remove it, and take out the desiccant bag from the inner box under the lid.

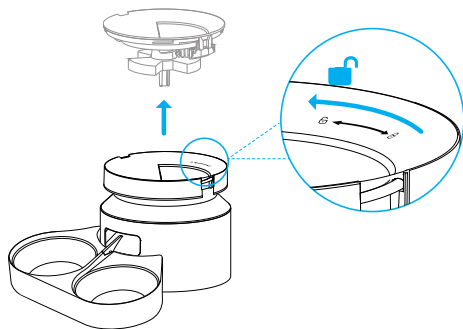


3. Pull the notches on both sides outward a little and then up to remove the food tank.

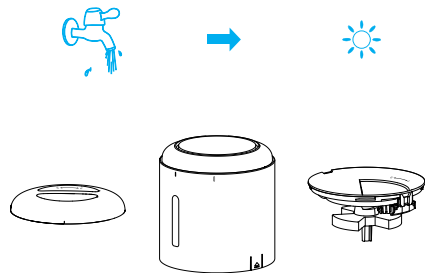




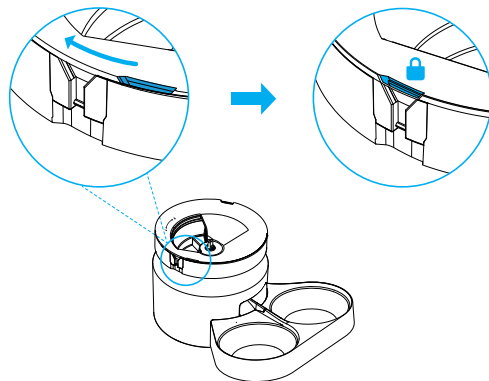
4. Turn the tank base counterclockwise to remove it.



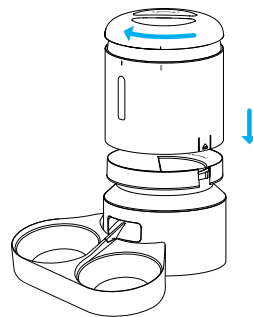
5. Thoroughly rinse and air-dry the lid, tank and tank base.



6. Reinstall them on the product. Turn the tank base clockwise until it snaps into place.

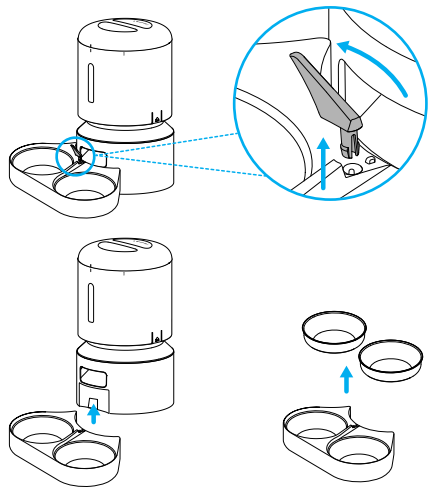


7. Install the tank and lid.

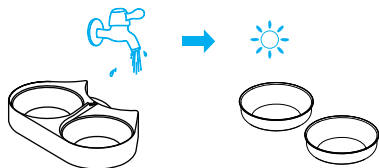


## Clean the Bowls and Holder

1. Remove the bowl holder from the feeder base.



2. Rinse the stainless steel bowls and holder, and air-dry them thoroughly before reinstalling them on the product.



## TROUBLESHOOTING

The answers to these questions should help you solve most problems you may have with the pet feeder. If they do not, please contact our customer service team via [support@petlibro.com](mailto:support@petlibro.com).

Problem	Solution
Can't connect the feeder to WiFi	<ol style="list-style-type: none"><li>1) Keep the feeder and your phone close to your router; make sure the network signal is good.</li><li>2) Restart the feeder.</li><li>3) Follow the app's instructions or our operation videos to add the feeder. There is more than one method for adding.</li><li>4) Contact our after-sales team via email for help.</li></ol>
The WiFi connection goes offline frequently	<ol style="list-style-type: none"><li>1) Keep the feeder close to your router; make sure the network signal is good. It is ideal to make it within 6 meters (19.7 feet) without obstacles and walls.</li><li>2) Make sure the power cable is connected firmly.</li><li>3) Restart the feeder.</li></ol>
I press the buttons but they don't work.	Press and hold the Unlock Button for 5s to unlock the buttons.
The indicators are off.	<ol style="list-style-type: none"><li>1) Check whether the power is cut off.</li><li>2) Check whether the indicator function is off on the app.</li></ol>
The portion amount is not the same.	The first few portions may vary, but it doesn't mean the appliance is faulty. After about 6 feedings, it should be almost even.

<b>Problem</b>	<b>Solution</b>
The food won't come out.	<p>1) Please make sure the food in the tank is dry and the food size is between 2–15mm (0.7–0.5in) in diameter.</p> <p>2) Remove the food tank and tank base, and check if the chute inside is blocked.</p> <p>3) Check if the anti-clog detector at the food outlet is dirty or blocked.</p> <p>4) Check whether the battery level is low, whether the power adapter is connected, and whether a power outage occurs when the power adapter is connected but batteries are not installed.</p>
I can't remove the food tank.	Pull the notches on both sides outward a little and then up to remove the food tank.

## DEUTSCH

### SPECIFICATIONS

Model	PLAF103
Capacity	5L
Power	DC 5V power adapter; 3 x alkaline D batteries (not included)
Power Adapter	AC 100–240V 50/60Hz (input) DC 5V (output)
Operating Temperature	0°C–55°C / 32°F–131°F
Dimensions	34 × 19 × 19cm / 13 × 7.5 × 7.5in
Net Weight	1.91kg / 4.21lb

## SICHERHEITSRICHTLINIEN

### ! WARNUNG

- Entsorgen Sie alle Verpackungsmaterialien ordnungsgemäß. Einige Artikel können in Plastiktüten verpackt sein; diese Beutel können zum Ersticken führen; halten Sie den Automat von Kindern und Haustieren fern.
- Verwenden Sie den Futterautomat NICHT bei Haustieren, die die Futterschale nicht erreichen können oder bei denen eine körperliche Behinderung vorliegt.
- Tauchen Sie das Basisteil zu keinem Zeitpunkt in Wasser, da dies elektronische Komponenten wie das Bedienfeld beschädigen kann.
- Verwenden Sie den Automat NICHT im Freien. Überprüfen Sie regelmäßig den Betrieb, um sicherzustellen, dass das Gerät richtig dosiert.
- Verwenden Sie KEIN Nass-, Konserven- oder Feuchtfutter.
- Zerlegen Sie das Gerät NICHT anders als in dieser Bedienungsanleitung beschrieben.
- Verwenden Sie nur das vom Hersteller empfohlenen oder verkauften Zubehör. Die Verwendung des Zubehörs, das nicht vom Hersteller empfohlen oder verkauft wird, kann zu einem unsicheren Zustand führen. Verändern Sie den Futterautomat nicht.
- Überprüfen Sie den Futterautomat nach der Installation. Nicht einstecken, wenn sich Wasser am Netzkabel oder Stecker befindet.
- Verlegen Sie das Netzkabel immer außerhalb des Fußgängerverkehrs, um Stolperfallen zu vermeiden.

### VORSICHT

- Installieren oder lagern Sie den Futterautomat NICHT an Orten, an denen er Witterungseinflüssen oder Temperaturen unter 4°C / 39,2°F ausgesetzt ist.
- Verwenden Sie zur Stromversorgung Alkali-D-Batterien. Verwenden Sie KEINE wiederaufladbaren Batterien.
- Überprüfen Sie die Batterien regelmäßig. Ersetzen Sie die Batterien immer durch neue, bevor Sie sie für längere Zeit verlassen.
- Heben Sie den Futterautomat NICHT am Deckel, Futtertank oder Futtertablett an. Heben und tragen Sie es mit beiden Händen und der Basis, während Sie das Gerät in einer aufrechten Position halten.
- NUR für Trockenfutter geeignet, mit einer Futtergröße von 2-15mm (0,07-0,5 inch) im Durchmesser. Größeres Futter kann an der Futterausgabe stecken bleiben.
- Stecken Sie Ihre Finger nicht in den Lebensmittelauslass und lassen Sie Ihre Finger nicht den Rotor berühren.

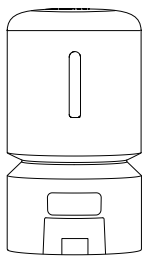
### GARANTIE

- Ein Jahr Garantie
- Lebenslange Unterstützung

Für Anleitungen zur Produktnutzung wenden Sie sich bitte per E-Mail an unseres Kundendienstteam:

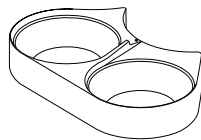
**support@petlibro.com.**

## IN THE BOX



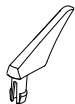
Futterautomat

X1



Zwei Futternäpfe  
mit Halter

X1



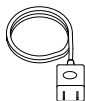
Mahlzeitenseparator

X1



Benutzerhandbuch-Kit

X1



Stromadapter

X1

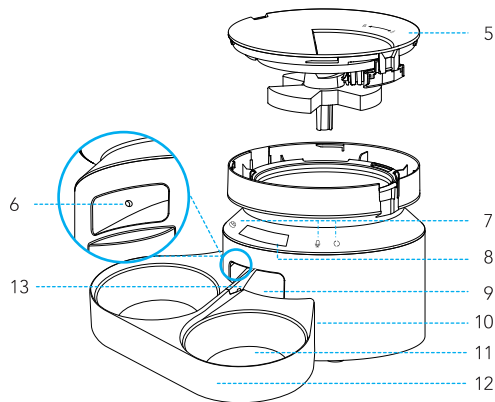


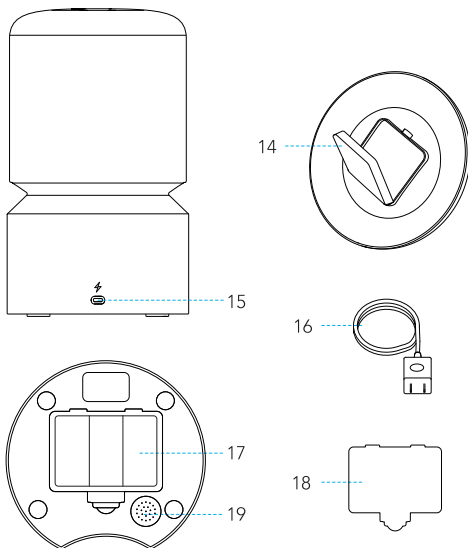
Trockenmittelbeutel

X1

## PRODUKTÜBERSICHT

1. Deckel
2. Dichtungsstreifen
3. Futtertank
4. Transparentes Fenster
5. Tanksockel
6. Anti-Clog-Detektor
7. Bedienfeld
8. Anzeigefeld
9. Futterauslass
10. Automatensockel
11. Edelstahlnäpfe
12. Napfhalter
13. Mahlzeitenseparator





- 14. Trockenmittelbox
- 15. Strombuchse
- 16. Stromadapter

- 17. Batteriefach
- 18. Fachdeckel
- 19. Lautsprecher

## TASTEN- UND INDIKATORENÜBERSICHT

### Tastenübersicht



#### **Entsperrungstaste**

Halten Sie die Taste für 5 Sekunden lang gedrückt, um das Bedienfeld zu entsperren, das Gerät gibt einen kurzen Piepton und einen langen Piepton aus. Im gesperrten Zustand ist nur diese Taste wirksam.

#### **Taste für manuelle Fütterung**

Im entsperrten Zustand drücken Sie die Taste einmal, um 1 Portion Futter auszugeben.

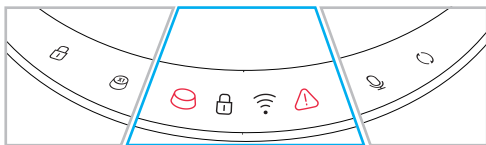
#### **Aufnahmetaste**

Halten Sie im entsperrten Zustand die Taste gedrückt und starten Sie mit der Aufnahme, nachdem ein Piepton zu hören ist. Nehmen Sie Ihre Nachricht auf (Max. 10 Sekunden). Lassen Sie die Taste los, wenn Sie die Aufnahme beendet haben, und Sie werden Zwei Pieptöne hören, was zeigt an, dass die Aufnahme gespeichert ist.

#### **Zurücksetzungstaste**

Halten Sie im entsperrten Zustand die Zurücksetzungstaste gedrückt, bis der Futterautomat einen Dingdong-Ton ausgibt und der WLAN-Indikator blinkt schnell, dies zeigt an, dass das Gerät für eine erneute Verbindung bereit ist.

## Indikatorenübersicht



### Nahrungsniveauindikator

Dieser Indikator leuchtet rot, wenn das Nahrungsniveau niedrig ist. Er erlischt, wenn es in dem Tank genug Nahrung gibt.

### Sperrungsindikator

Dieser Indikator leuchtet auf, wenn das Bedienfeld gesperrt ist.

Dieser Indikator geht aus, wenn das Bedienfeld entsperrt ist.

Hinweis: Die Bedientasten werden nach 30 Sekunden Standby automatisch gesperrt.

### WLAN-Indikator

Blinkt pro Sekunde	Der Automat ist bereit, sich mit dem WLAN zu verbinden.
Blinkt mehrmals pro Sekunde	Der Automat verbindet sich mit WLAN oder aktualisiert die Software.
Doppelblitz	WLAN-Passwortfehler.
Bleibt solide	Verbunden mit WLAN.
Off	Die WLAN-Funktion ist ausgeschaltet.

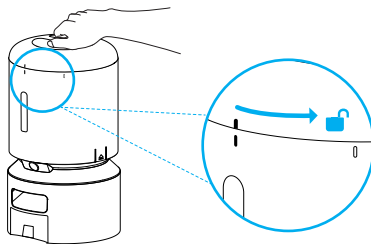
### Arbeitsstatusindikator

On	Die Nahrungsblockaden oder der Motor funktioniert nicht.
Off	Alles funktioniert gut.

## ZUSAMMENSTELLUNG DES FUTTERAUTOMATEN

### Montage und Vorbereitung für die Einstellung

1. Drehen Sie den Deckel gegen den Uhrzeigersinn und nehmen Sie den Netzadapter und das Benutzerhandbuch innen aus.



2. Stromanschluss

1) Stecken Sie das 5V-Netzteil in eine Steckdose und das USB-Kabel in den USB-Anschluss auf der Rückseite des Futterautomaten.

2) Das LED-Display leuchtet automatisch auf, um anzuzeigen, dass der Automat eingeschaltet ist.

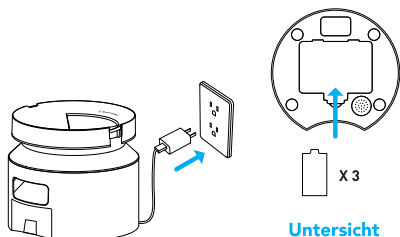
3) Öffnen Sie das Batteriefach an der Unterseite des Futterautomaten. Legen Sie bei einem Stromausfall drei Alkaline-D-Batterien (nicht im Lieferumfang enthalten) ein. Achten Sie darauf, dass die Plus- und Minuspole der Batterien mit den Markierungen im Fach übereinstimmen.

#### Hinweise:

- Batterien sind nicht im Lieferumfang enthalten.
- Um einen plötzlichen Stromausfall zu vermeiden, der sich auf die Fütterung Ihres Haustiers auswirkt, verwenden Sie die Batterien nicht als einzige Stromquelle. Die Batterien können nur als Notfallplan

verwendet werden.

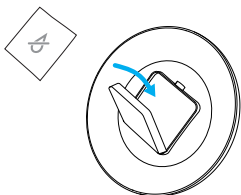
- Um ein Auslaufen der Batterien zu vermeiden, entfernen Sie die Batterien, wenn das Gerät längere Zeit nicht benutzt wird.
- Wenn der Futtermatrat nur mit Batterien betrieben wird, werden die WLAN-Funktion, die Aufnahmetaste und die Zurücksetzungstaste deaktiviert, um die Arbeitszeit zu verlängern (je nach Version), die Mahlzeitenpläne werden normal durchgeführt.



3. Legen Sie den Trockenmittelbeutel in den Innenbehälter unter dem Deckel.

**Hinweise:**

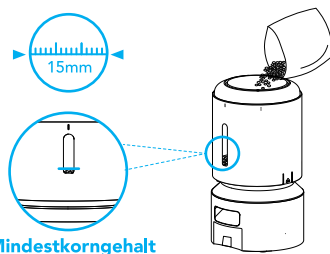
- Es wird empfohlen, den Trockenmittelbeutel alle 15 Tage zu wechseln, um Schimmelbildung zu vermeiden.
- Entfernen Sie den Trockenmittelbeutel, bevor Sie den Deckel reinigen.



4. Fügen Sie Trockenfutter für Haustiere in den Futtertank hinzu.

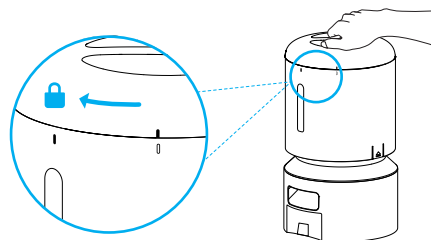
**Hinweise:**

- Um eine ungleichmäßige Futterausgabe zu vermeiden, fügen Sie bitte ausreichend Tierfutter hinzu. Stellen Sie sicher, dass Sie auf einen Blick sehen können, wie viel Futter übrig ist.
- Empfohlene Futtergröße: 2-15 mm (0,07-0,5in) im Durchmesser.
- Verwenden Sie keine Konserven, nasse oder feuchte Lebensmittel.



5. Setzen Sie den Deckel wieder auf.

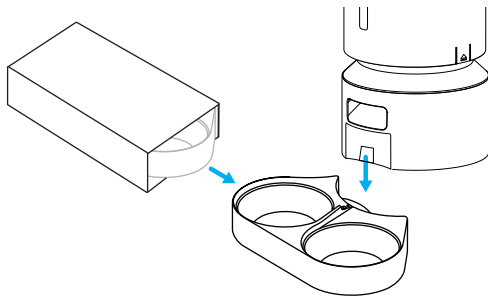
Zum Einrasten drehen Sie den Deckel im Uhrzeigersinn vom rechten Drehschild zum linken.



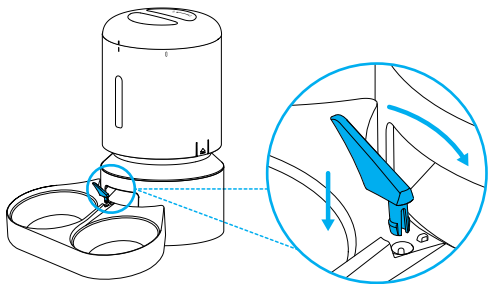


6. Nehmen Sie das doppelte Essenstablett heraus und installieren Sie es.

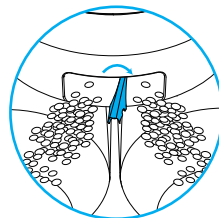
Befestigen Sie das doppelte Essenstablett an der Kerbe unter dem Sockel des Automaten.



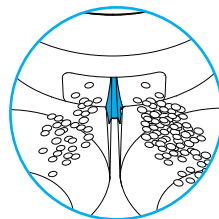
7. Installieren Sie den Separator, indem Sie ihn mit dem runden Loch ausrichten.



Um gleiche Menge an Lebensmitteln zu verteilen, bewegen Sie den Separator auf seines Maximum rechts, bis er nicht mehr bewegt werden kann. (Der Separator wird nach rechts von der Mitte des Futterauslasses nach rechts positioniert.)



Futtermenge: Links = Rechts

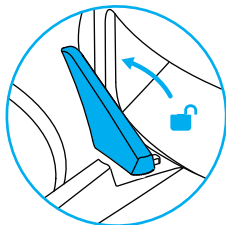
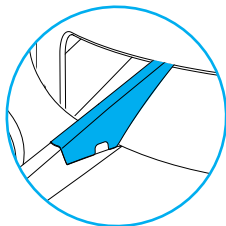


Futtermenge: Links  $\neq$  Rechts



**Hinweis: Wenn der Separator in der Mitte des Futterauslasses positioniert ist, kann der Futtermatromat nicht eine gleiche Menge des Futters verteilen.**

**Hinweis:** Um den Napfhalter von dem Automatensockel zu entfernen, bewegen Sie den Mahlzeitseparator von dem Futterauslass weg.



Wenn sich in dem Napf Futter befindet, behandeln Sie ihn sanft, um Verschütten zu vermeiden. Halten Sie den Sockel anstelle von anderen Teilen, wenn Sie den Futterautomat anheben.



## STEUERUNG ÜBER APP

**Hinweis:** Der Futterautomat unterstützt 2,4-GHz- und 5-GHz-WLAN. Halten Sie den Futterautomat für eine bessere WLAN-Verbindung in der Nähe Ihres Routers. Die ideale Reichweite liegt innerhalb von 6 Metern (19,7FT) ohne Hindernisse und Wände. Es wird empfohlen, eine 2,4-GHz-WLAN-Verbindung zu verwenden, wenn die Entfernung groß ist oder Hindernisse wie Wände vorhanden sind.

### Systemanforderungen

Unterstützt iPhones mit iOS 10.0 oder höher und Smartphones mit Android 5.0 oder höher.

### Installieren Sie die APP und melden Sie sich an

1. Scannen Sie den QR-Code rechts oder suchen Sie im App Store  oder bei Google Play  nach „PETLIBRO LITE“, um die App herunterzuladen.
2. Registrieren Sie sich und melden Sie sich bei Ihrem Konto an.



### Fügen Sie das Gerät hinzu

#### A. Fügen Sie den Futterautomat über den Bluetooth-Modus hinzu

- 1) Öffnen Sie die App, wählen Sie die Startseite aus und tippen Sie oben rechts auf „Gerät hinzufügen“ oder „+“.



2) Wählen Sie **PLAF103 WLAN-Futterautomat**.

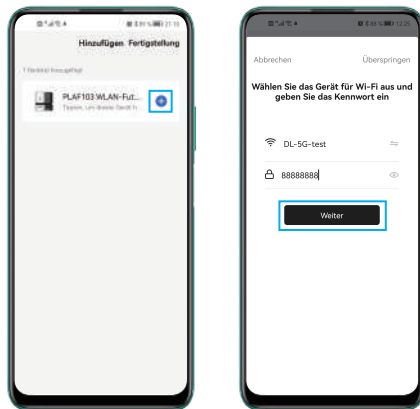


3) Befolgen Sie die Anweisungen auf dem Bildschirm und stellen Sie sicher, dass der WLAN-Indikator am Futterautomat blinkt.

(Hinweis: Wenn der WLAN-Indikator am Futterautomat nicht blinkt, halten Sie zum Entsperren die Entsperrtaste 5 Sekunden lang gedrückt, der Sperrungsindikator erlischt. Halten Sie die Zurücksetzungstaste so lange gedrückt, bis der WLAN-Indikator schnell blinkt.)



4) Fügen Sie das Gerät **PLAF103** hinzu, indem Sie das WLAN-Konto und das Passwort eingeben.



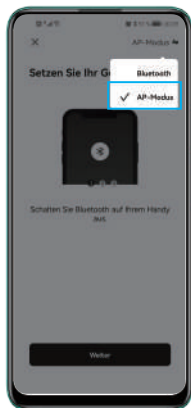
5) Nachdem der Futterautomat verbunden wird, beginnen Sie mit der Einstellung der Fütterungszeit und -portionen, nehmen Sie den Essensanruf auf und stellen Sie ein, wie oft diese Aufnahme gespielt wird.

## B. Fügen Sie den Futterautomat über QR-Code hinzu

1) Schalten Sie das Bluetooth auf deinem Handy aus.



2) Öffnen Sie die App, tippen Sie oben rechts auf „Gerät hinzufügen“ oder „+“. Wählen Sie PLAF103 WLAN-Futterautomat. Tippen Sie auf das Symbol in der oberen rechten Ecke und wählen Sie den **AP-Modus**.



3) Stellen Sie sicher, dass der WLAN-Indikator des Futterautomaten blinkt.

**(Hinweis: Wenn der WLAN-Indikator des Automaten nicht blinkt, halten Sie zum Entsperren die Entsperrungstaste für 5 Sekunden lang gedrückt; der Sperrungsindikator erlischt. Halten Sie die Zurücksetzungstaste so lange gedrückt, bis der WLAN-Indikator schnell blinkt.)**

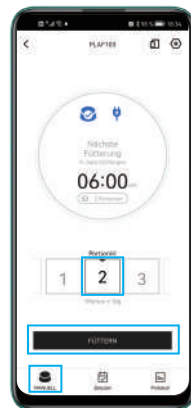
4) Geben Sie Ihr WLAN-Konto und das Passwort ein, gehen Sie zur Schnittstelle der WLAN-Verbindung auf Ihrem Handy. Finden Sie das Gerät "SL-PETLIBRO-xxxx" und tippen Sie darauf, um zu verbinden.

5) Zurück zu der App und warten Sie auf die Verbindung des Geräts.

6) Nachdem der Futterautomat verbunden wird, beginnen Sie mit der Einstellung der Fütterungszeit und -portionen, nehmen Sie den Essensanruf auf und stellen Sie ein, wie oft diese Aufnahme gespielt wird.

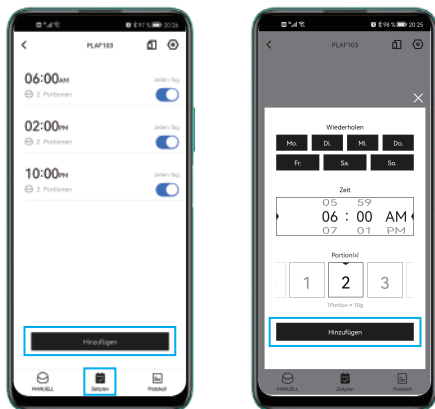
## Manuelle Fütterung des Haustieres

Wählen Sie auf der **manuellen** Seite zuerst die Portion aus, die Sie füttern möchten, und tippen Sie dann auf das **Fütterungssymbol**. Der Futterautomat wird sofort die Haustiere füttern.



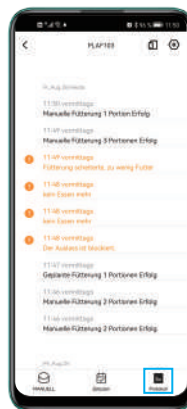
## Einstellung des Mahlzeitenplans

Auf der **Zeitplanseite** tippen Sie auf das Symbol **Hinzufügen**, und dann wählen Sie **Fütterungszeit**, Fütterungstage und **Fütterungsportionen** aus.



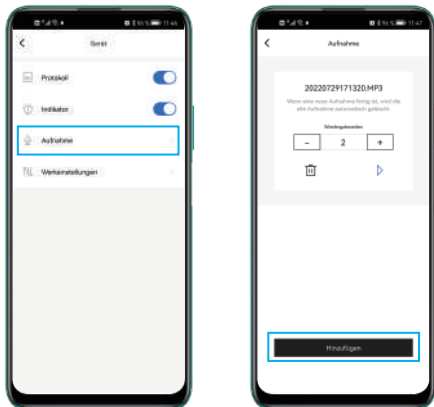
## Nachsehen der Protokolle

Auf der Protokollseite können Sie sich über die Fütterungsaufzeichnungen und ungewöhnlichen Benachrichtigungen informieren.




## Aufnahmen eines Essensanrufs auf & Festlegen der Wiedergabezeiten

Tippen Sie auf das Symbol  in der oberen rechten Ecke, gehen zu Aufnahme, tippen Sie dann auf das Symbol Hinzufügen, befolgen Sie die Anweisungen auf dem Bildschirm, um einen Essensruf aufzunehmen, und stellen Sie die Zeiten ein, zu denen der Essensruf abgespielt wird.



**Hinweis:** Das Gerät kann nur die letzte Aufnahme speichern. Wenn eine neue Aufnahme fertig ist, wird die alte Aufnahme automatisch gelöscht.

## Zurücksetzen des Futterautomaten in der App

Tippen Sie auf das Symbol  in der oberen rechten Ecke, dann gehen zum Zurücksetzen auf die Werkeinstellungen, der Automat gibt einen kurzen Piepton und einen langen Piepton aus und der WLAN-Indikator blinkt schnell, dies zeigt an, dass das Gerät bereit für eine erneute Verbindung ist.

## Teilen dieses Geräts

Tippen Sie auf das Symbol  in der oberen rechten Ecke, dann gehen zum **Teilen des Geräts > Hinzufügen des Teilens**.

Wenn Sie den Futterautomat zum Handy einer anderen Person hinzufügen möchten, laden Sie die App herunter und registrieren Sie zuerst ein neues Konto auf seinem/ihrer Telefon, dann können Sie das Gerät mit dem neuen Konto teilen. Stellen Sie sicher, dass die beiden Konten im selben Land registriert sind.

## Entfernen des Geräts

Tippen Sie auf das Symbol  oben rechts, dann gehen zum **Entfernen des Geräts > Trennen**.

## Überprüfen der FAQs und Senden der Feedbacks

Tippen Sie auf das Symbol  oben rechts, dann gehen zum **FAQ & Feedback**.

Überprüfen Sie die häufig gestellten Fragen zum Gerät, und Sie können uns auch Fragen und Feedback senden.

## REINIGUNG UND PFLEGE

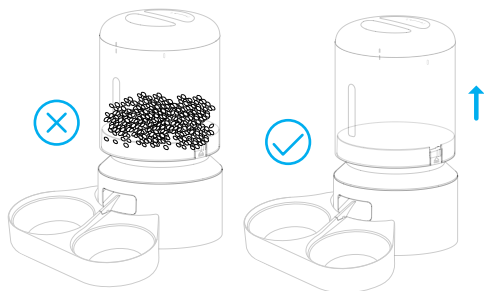
Es wird empfohlen, den Futtermatzen für die Gesundheit von Haustieren regelmäßig zu reinigen.

Die waschbaren Teile sind wie folgt: Deckel, Futtertank, Tanksockel, Edelstahlnapf und Napfhalter.

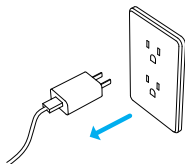
Verwenden Sie ein trockenes Tuch, um die anderen Teile zu reinigen.

### Reinigen des Tankdeckels, Futtertanks und Tanksockels

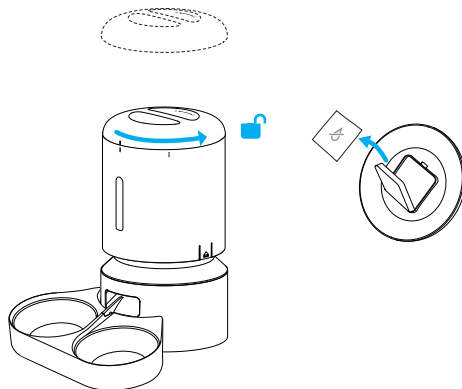
Stellen Sie vor dem Entfernen des Futtertanks sicher, dass der Futtertank leer ist, falls das Futter überläuft.



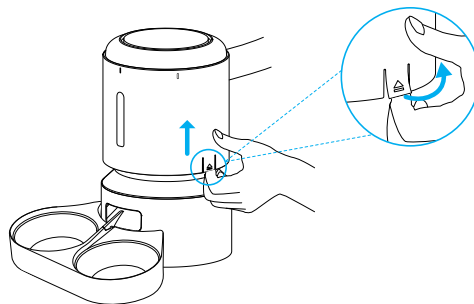
1. Trennen Sie die Stromversorgung vor der Reinigung.



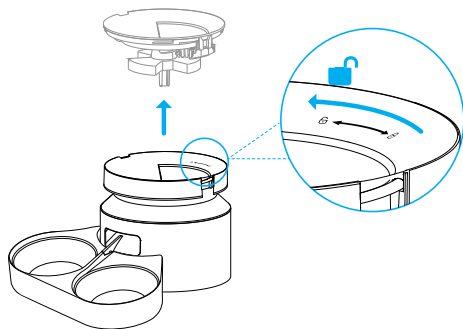
2. Drehen Sie gegen den Uhrzeigersinn, um den Deckel zu entfernen, und nehmen Sie den Trockenmittelbeutel aus dem Innenbehälter unter dem Deckel.



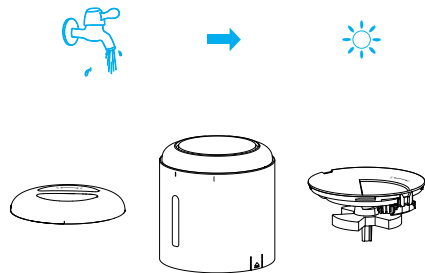
3. Ziehen Sie die Kerben auf beiden Seiten etwas nach außen und dann nach oben, um den Futtertank zu entfernen.



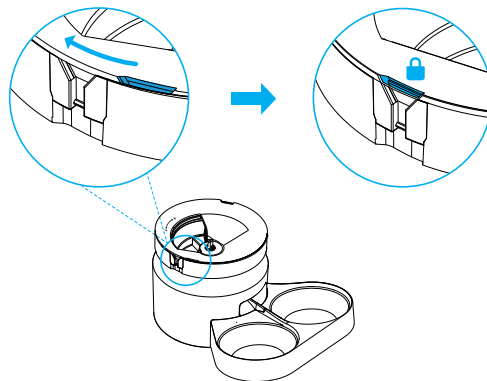
4. Drehen Sie gegen den Uhrzeigersinn, um den Tankboden zu entfernen.



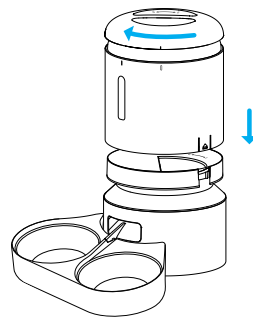
5. Spülen Sie Deckel, Tank und Tanksockel gründlich ab und trocknen Sie sie an der Luft.



6. Bringen Sie sie wieder an das Produkt an. Drehen Sie den Tanksockel im Uhrzeigersinn, bis er einrastet.



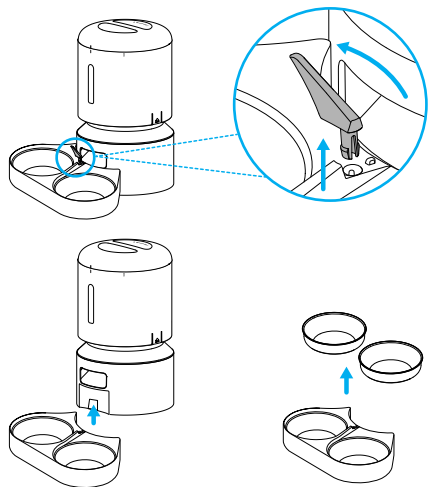
7. Dann montieren Sie den Tank und Deckel.



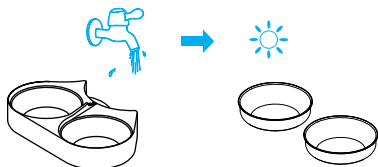


## Reinigen der Futternäpfe und der Halter

1. Entfernen Sie die Halter vom Futterautomatssockel.



2. Spülen Sie die Näpfe und die Halter gründlich ab, und lassen Sie sie an der Luft trocknen, bevor Sie sie wieder ans Produkt anbringen.



## FEHLERBEHEBUNG

Die Antworten auf diese Fragen sollten Ihnen bei der Lösung der meisten Probleme mit dem Futterautomat helfen. Wenn nicht, wenden Sie sich bitte an unser Kundendienstteam unter [support@petlibro.com](mailto:support@petlibro.com).

Problem	Lösung
Der Futterautomat kann nicht mit WLAN verbunden werden.	<ol style="list-style-type: none"><li>1) Halten Sie den Futterautomat und Ihr Handy in der Nähe von Ihrem Router, stellen Sie sicher, dass das Netzwerksignal gut ist.</li><li>2) Starten Sie den Automat neu.</li><li>3) Befolgen Sie die Anweisungen der APP oder unsere Betriebsvideos, um den Automat hinzuzufügen. Es stehen mehr als 1 Hinzufügen-Methoden zur Auswahl.</li><li>4) Wenden Sie sich per E-Mail an unser Kundendienstteam, um Hilfe zu erhalten.</li></ol>
Die WLAN-Verbindung geht häufig offline.	<ol style="list-style-type: none"><li>1) Halten Sie den Futterautomat in der Nähe Ihres Routers. Stellen Sie sicher, dass das Netzwerksignal gut ist. Es ist ideal, um es innerhalb von 6 Metern (19,7ft) ohne Hindernisse und Wände zu schaffen.</li><li>2) Stellen Sie sicher, dass das Netzkabel fest angeschlossen ist.</li><li>3) Starten Sie den Futterautomat neu.</li></ol>
Ich habe die Tasten gedrückt, aber sie funktionieren nicht.	Halten Sie die Entsperrungstaste für 5 Sekunden lang gedrückt, um die Tasten zu entsperren.
Die Indikatoren sind aus.	<ol style="list-style-type: none"><li>1) Überprüfen Sie, ob die Stromversorgung unterbrochen ist.</li><li>2) Überprüfen Sie, ob die Indikatorfunktion in der App ausgeschaltet ist.</li></ol>

<b>Problem</b>	<b>Solution</b>
Die Portionsmenge ist ungleich.	Die ersten paar Portionen können variieren, aber das bedeutet nicht, dass es fehlerhaft ist. Nach etwa 6 Fütterungen sollte es fast gleichmäßig sein.
Das Essen kommt nicht heraus.	<p>1) Bitte stellen Sie sicher, dass die Lebensmittel im Tank trocken sind und die Lebensmittelgröße innerhalb von 2-15 mm (0,07-0,5 inch) im Durchmesser liegt.</p> <p>2) Entfernen Sie den Futtertank und den Tanksockel und prüfen Sie, ob die Rutsche im Inneren blockiert ist.</p> <p>3)Überprüfen Sie, ob der Anti-Clog-Detektor am Lebensmittelausgang verschmutzt oder blockiert ist.</p> <p>4)Prüfen Sie, ob der Akkustand niedrig ist, ob das Netzteil angeschlossen ist, ob ein Stromausfall auftritt, wenn das Netzteil angeschlossen und keine Batterien eingelegt sind.</p>
Ich kann den Futtertank nicht entfernen.	Bitte ziehen Sie die Kerben auf beiden Seiten etwas nach außen und dann nach oben, um den Futtertank zu entnehmen.

## SPEZIFIKATIONEN

Modell	PLAF103
Kapazität	5L
Strom	DC-5V-Stromadapter, 3 x Alkaline D-Batterien (nicht im Lieferumfang enthalten)
Stromadapter	Input: AC100-240V, 50 / 60Hz Output: DC 5V
Betriebstemperatur	0°C–55°C / 32°F–131°F
Dimensionen	34 × 19 × 19cm / 13 × 7,5 × 7,5in
Nettogewicht	1,95kg / 4,3lb