



www.petlibro.com



Model: PLAF005 & PLAF006

# USER MANUAL

Granary Automatic Pet Feeder

**PETLIBRO**

Granary Automatic Pet Feeder

**Model:** PLAF005 & PLAF006

©Libro Corp. All Rights Reserved.

**Manufacturer:** Shenzhen Libro Technology Co., Ltd.

**Address:** 12/F, Tower B, GALAXY WORLD, Yabao Road,  
Longgang District, Shenzhen, China

Made in China

PLAF005&006\_V2.1

CAN ICES-3 (B)/NMB-3(B)



This device complies with Part 15 of the FCC Rules. Operation is subject to the following two conditions: (1) this device may not cause harmful interference, and (2) this device must accept any interference received, including interference that may cause undesired operation.

This user manual only applies to PETLIBRO

Granary Automatic Pet Feeder with one bowl. Read and save the manual.

# CONTENTS

---

## English

SAFETY GUIDELINES	01
WARRANTY	04
IN THE BOX	05
PRODUCT OVERVIEW	06
BUTTONS AND DISPLAY OVERVIEW	08
HOW TO USE	10
CLEAN AND CARE	21
SPECIFICATIONS	26
TROUBLESHOOTING	27

## Deutsch

SICHERHEITSRICHTLINIEN	30
GARANTIE	32
IN DER BOX	33
PRODUKTÜBERSICHT	34
TASTEN - UND DISPLAYÜBERSICHT	36
VERWENDUNG	38
REINIGUNG UND WARTUNG	49
SPEZIFIKATIONEN	54
PROBLEME & LÖSUNGEN	55

## Italiano

LINEE GUIDA DI SICUREZZA	58
GARANZIA	60
NELLA SCATOLA	61
PANORAMICA DEL PRODOTTO	62
PANORAMICA DEI PULSANTI E DEL DISPLAY	64
COME USARE	66
PULIZIA E CURA	77
SPECIFICHE	82
RISOLUZIONE DEI PROBLEMI	83

## Français

PRÉCAUTIONS DE SÉCURITÉ	86
GARANTIE	88
CONTENU DE LA BOÎTE	89
SCHÉMA DU PRODUIT	90
PRÉSENTATION DES BOUTONS ET DE L’AFFICHAGE	92
MODE D’EMPLOI	94
NETTOYAGE ET ENTRETIEN	105
CARACTÉRISTIQUES	110
DÉPANNAGE	111

## Español

INDICACIONES DE SEGURIDAD	114
GARANTÍA	116
DENTRO DE LA CAJA	117
VISIÓN GENERAL DEL PRODUCTO	118
VISIÓN GENERAL DE BOTONES Y PANTALLA	120
CÓMO UTILIZARLO	122
LIMPIEZA Y MANTENIMIENTO	133
ESPECIFICACIONES	138
SOLUCIÓN DE PROBLEMAS	139

## ENGLISH

## SAFETY GUIDELINES

### ! WARNING

- Dispose of all packaging materials properly. Some items may be packed in plastic bags; these bags could cause suffocation; keep away from children and pets.
- Do NOT allow small children to play with, in or around the pet feeder.
- To reduce the risk of injury, please keep close supervision when an appliance is used near children.
- Do NOT use the feeder with pets not able to reach the food tray or with any physical disability.
- Do NOT immerse the base part in water at any time as it may damage electronic components like the control panel.
- Do NOT place any foreign object in the pet feeder.
- Do NOT use outdoors. Check operation frequently to be sure the unit is dispensing properly.
- Do NOT use wet, canned or moist food.
- Do NOT disassemble the unit other than as instructed in this User Guide.
- Do NOT use the feeder for anything other than its intended use.
- Only use attachments recommended or sold by the manufacturer. The use of attachments not recommended or sold by the manufacturer may cause an unsafe condition. Do not modify the pet feeder.
- Do not operate any appliance if the unit is malfunctioning or has been damaged. Do not attempt repairs on the pet feeder yourself. Contact our customer service immediately for further instructions.
- Always unplug when not in use and before cleaning.
- Never pull on the electrical power cord to remove the plug from the wall outlet.

- If the plug of this device gets wet, turn on electricity to that wall outlet. Do not attempt to unplug.
- Examine the feeder after installation. Do not plug in if there is water on the power cord or plug.
- To avoid tripping, always position power cord out of the way of foot traffic.

### CAUTION

- Do NOT allow pets to chew on or swallow any parts. If you are concerned about the power cord, purchase a cord conduit (a hard-plastic protector) at any hardware store to protect the power cord.
- If an extension cord is necessary, one unit with a proper rating should be used.
- Do NOT install or store the pet feeder where it will be exposed to weather or temperatures below 4°C / 40°F.
- Use alkaline D batteries to power. Do NOT use rechargeable batteries.
- Check the batteries regularly. Before leaving for extended time, always replace batteries with new ones.
- Do NOT lift the pet feeder by lid, food tank, or food tray. Lift and carry it using both hands and the base, while keeping the unit in an upright position.
- Suitable for dry food ONLY, with kibble size ranging from 2-15mm / 0.07-0.6in in diameter. Larger kibble may get stuck at the food outlet.
- Do not put your fingers into the food outlet or let your fingers touch the rotor.
- Read and observe all important notices listed on the pet feeder and in the packaging.

This device complies with Part 15 of the FCC Rules. Operation is subject to the following two conditions:

- (1) this device may not cause harmful interference, and
- (2) this device must accept any interference received, including interference that may cause undesired operation.

Changes or modifications to this unit not expressly approved by the party responsible for compliance could void the user's authority to operate the equipment.

#### **NOTE:**

This equipment has been tested and found to comply with the limits for a Class B digital device, pursuant to Part 15 of the FCC Rules. These limits are designed to provide reasonable protection against harmful interference in a residential installation. This equipment generates, uses and can radiate radio frequency energy and, if not installed and used in accordance with the instructions, may cause harmful interference to radio communications. However, there is no guarantee that interference will not occur in a particular installation. If this equipment does cause harmful interference to radio or television reception, which can be determined by turning the equipment off and on, the user is encouraged to try to correct the interference by one or more of the following measures:

- Reorient or relocate the receiving antenna.
- Increase the separation between the equipment and receiver.
- Connect the equipment into an outlet on a circuit different from that to which the receiver is connected.
- Consult the dealer or an experienced radio/TV technician for help.

This device and its antenna(s) must not be co-located or operation in conjunction with any other antenna or transmitter.

#### Radiation Exposure Statement

To maintain compliance with FCC's RF Exposure guidelines, This equipment should be installed and operated with minimum distance of 20cm from your body.

#### **WARRANTY**

- 1-year warranty
- Lifetime support

For guidance on product use and warranty extension, please contact our brand after-sales staff via email: **support@petlibro.com**.

If any questions related to orders, please contact the seller through the shopping platform.

## IN THE BOX



Automatic Pet Feeder

X1



Food Bowl with Holder

X1



Power Adapter

X1



User Guide Kit

X1

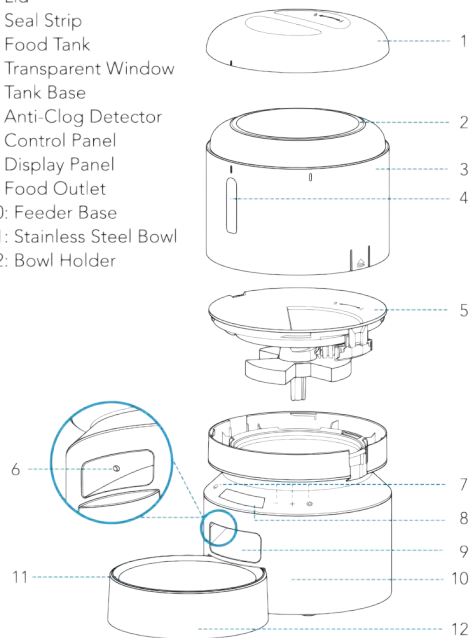


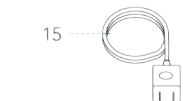
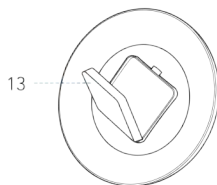
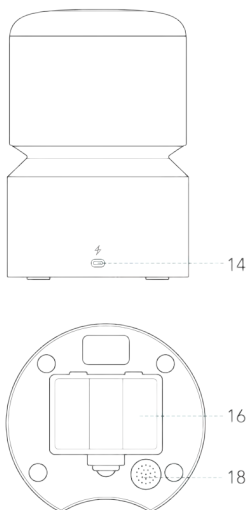
Desiccant Bag

X1

## PRODUCT OVERVIEW

- 1: Lid
- 2: Seal Strip
- 3: Food Tank
- 4: Transparent Window
- 5: Tank Base
- 6: Anti-Clog Detector
- 7: Control Panel
- 8: Display Panel
- 9: Food Outlet
- 10: Feeder Base
- 11: Stainless Steel Bowl
- 12: Bowl Holder





13: Desiccant Box  
14: Power Jack  
15: Power Adaptor

16: Battery Compartment  
17: Compartment Lid  
18: Speaker

## BUTTONS AND DISPLAY OVERVIEW



### Unlock Button

Press and hold for 3s to unlock other buttons and screen.



### Manual Feeding Button

Press 1-5 times to dispense 1-5 portions of food.



### Record Button

Press once and a beep is heard, record your message (max 10s), then press again to save and a double beep is heard.



### Number Decrease Button

(Unlocked Status) Press to switch between meal number.  
(Setting Status) Press to decrease number.



### Number Increase Button

(Unlocked Status) Press to switch between meal number.  
(Setting Status) Press to increase number.



### Setting Button

(Setting Status) Press to confirm and enter next step.  
Press and hold for 3s to return to the locked interface.



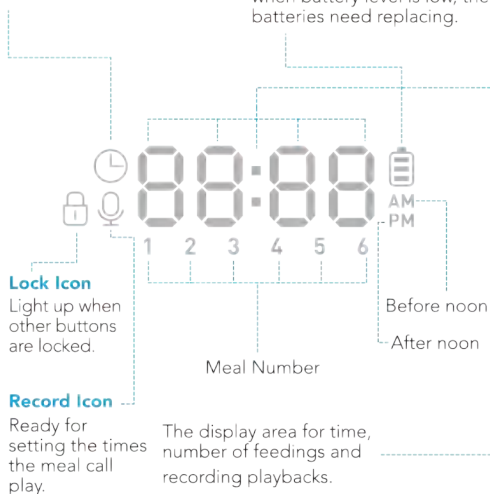


### Time Setting Icon

Ready for current time setting.

### Battery Level Icon

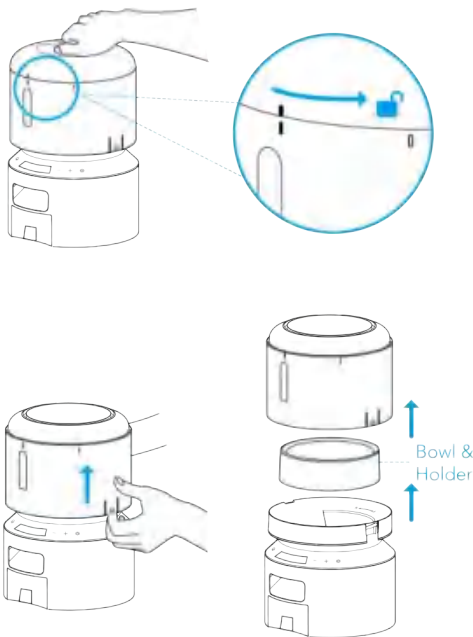
Light up when batteries are installed. Turn red and flash when battery level is low, the batteries need replacing.



## HOW TO USE

### Assembly and Prepare for Setting

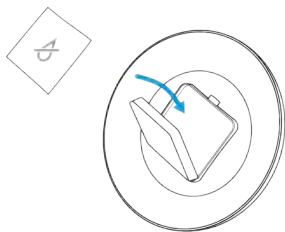
1. Take out the food bowl inside the food tank.  
Twist the lid anticlockwise to remove the lid. Pull up along the notches on either side to remove the food tank.



2. Place the desiccant bag into the inner box under the lid.

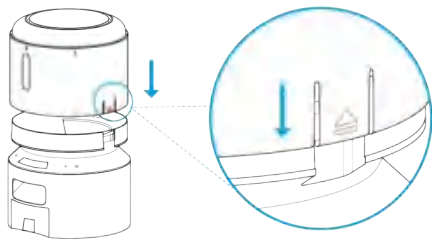
**Notes:**

- It is recommended to change the desiccant bag every 15 days to prevent mold growth.
- Remove the desiccant bag before cleaning the lid.



3. Install the food tank.

Align the food tank with the notches on both sides of the tank base.

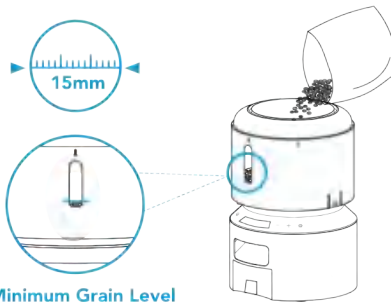


4. Add dry pet food to the food tank.

To prevent uneven food dispensing, please add enough pet food to the visible level.

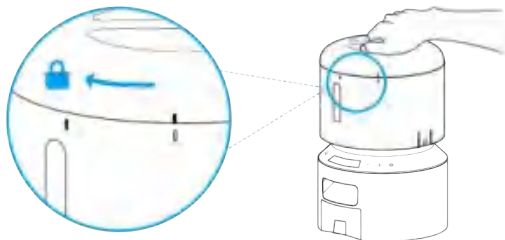
Recommended kibble size: 2-15mm/0.07-0.6 inch in diameter.

Do not use canned, wet, or moist food.



5. Put the lid back on.

To snap into place, turn the lid clockwise from the right rotating sign to the left rotating sign.

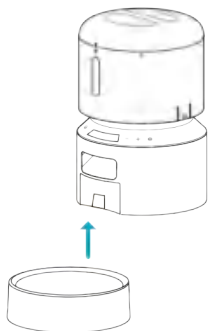


#### 6. Install the Food Bowl

Attach the bowl to the designated notches underneath the feeder base.

#### Note:

**Before moving the feeder, press the bowl down to remove it from the feeder base. If there is grain in the food bowl, handle it gently to avoid spilling. Hold the base instead of any other parts when lifting the feeder.**



#### 7. Connect Power

1) Plug the 5V power adapter into a power socket and the USB cable into the USB port on the back of the feeder.

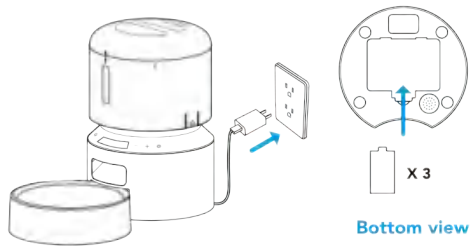
2) The LED display will light up automatically to indicate the feeder is on.

3) Open the battery compartment at the bottom of the feeder. Install three alkaline D batteries (not included) in case of a power outage. Make sure the batteries match the positive and negative poles with the markings in the compartment.

4) After the batteries are installed, the battery icon will light up on the screen; when the icon turns red and flashes, it means the battery level is low and the batteries need replacing.

#### Note:

- **Batteries are not included.**
- **To avoid sudden power outage and the feeding of your pet is affected, do not use the batteries as the only source to power the feeder, the batteries can only be used as an emergency plan.**
- **To avoid battery leakage, remove the batteries if you won't be using the device for some time.**





## Program Setting

### 1. Set the Current Time

Please pay attention to the 12-hour AM/PM format. Time will change from AM to PM automatically according to your setting.

The Time Chart of 12-hour Format	
01:00 AM	01:00 PM
02:00 AM	02:00 PM
03:00 AM	03:00 PM
04:00 AM	04:00 PM
05:00 AM	05:00 PM
06:00 AM	06:00 PM
07:00 AM	07:00 PM
08:00 AM	08:00 PM
09:00 AM	09:00 PM
10:00 AM	10:00 PM
11:00 AM	11:00 PM
12:00 PM	12:00 AM

- 1) Press and hold the Unlock Button  for 3s to unlock other buttons and screen, the Current Time Setting Icon  on the screen flashes, it indicates it enters setting mode.



- 2) Press the Setting Button , the hour digits flash.



- 3) Use the Increase/Decrease button  $+/-$  to set the current hour, and then press the Setting Button  to save and move to the minutes setting.

- 4) The tens digits of minute flashes, press the Increase/Decrease button  $+/-$  to set the tens digit first and press the Setting Button  to save, then set the single digit and press the Setting Button  to save. The current time setting is complete.



**Note: The control buttons and the screen will be locked automatically after 1 minute of standby.**

### 2. Set the Time and Portion of Meals Set the time of the first meal

- 1) After the current time is set, the feeder enters feeding plan setting mode. The icon  will flash, indicating it's ready for settings of the first meal.



- 2) Press the Setting Button  to set the feeding time of the first meal. The hour digits will flash.



3) Press the Increase/Decrease button  $+/-$  to set the hour. And press the Setting Button  to save and move to minutes setting.



The tens digits of minute flashes, press the Increase/Decrease button  $+/-$  to set the tens digit first and press the Setting Button  to save, then set the single digit and press the Setting Button  to save.



### Set the portion of the first meal

Once the first meal time is set and saved, the feeder enters portion setting mode. The screen will display P-XX, standing for portions.



1) Press the Increase/Decrease button  $+/-$  to set the portions (Max 50), set the tens digit first and press the Setting Button  to save, then set the single digit and press the Setting Button  to save.





2) Repeat the steps above to set the time and portion of other meals if needed. The feeder supports up to 6 scheduled meals per day.



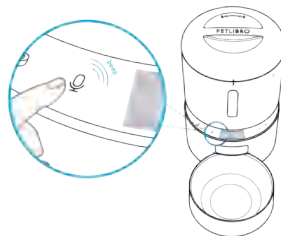
**Note: The default feeding time of the first four meals is 6:00 AM, 12:00 PM, 6:00 PM, 12:00 AM, and the time of the fifth and sixth meal time is 1:00 AM; The default portion is 0. You can change the presetting.**

### 3. Record a Meal Call

- 1) In the unlocked state, press the Record Button  once, a beep is heard.
- 2) Speak and record your message (The maximum record time is 10 seconds). Press the Record Button  again to end, two beeps will be heard indicating the recording is saved.
- 3) The recording will automatically play once for you to check the voice you just recorded.


#### Note:


- The default of the meal call playback is 2 times, and the meal call will play when feeding time is up.
- The meal call does not play during manual feeding, only play at each designated meal.




#### 4. Set the Times the Meal Call Play

The times the meal call play can be set from 0-5. If the time is set as zero, the meal call will not play at the corresponding meal.

1) In the unlocked state, press and hold the Record Button for 3s, the record icon  is on and the meal icon **1** keeps flashing.

2) Press the Increase/Decrease button  $+/-$  to choose the number of meal you want to set, then press the Setting Button  once to save.




3) The screen will display F-XX, standing for playback times. Press the Increase/Decrease button  $+/-$  to set the times the meal call play, then press the Setting Button  to save.



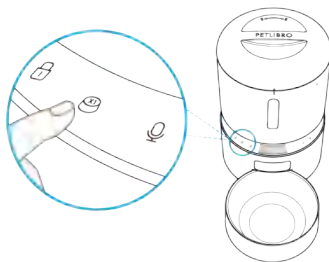
4) Repeat the steps above to set the number of times the meal call play for other meals.

**Note: After all settings are complete, press and hold the setting button for 3 seconds to return to the locked interface.**

#### 5. Manually Feeding Your Pet

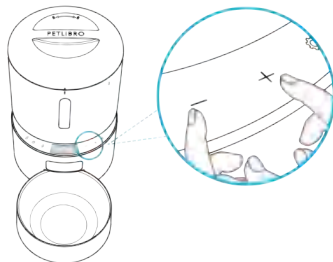
In the unlocked state, press the manual feeding button  once, the feeder dispenses one portion of food. You can press the manual feeding button at most 5 times, and the feeder will dispense 5 portions of food.

**Note: The normal schedule and portion is not affected.**



#### 6. Clear All Settings

Press and hold the Increase/Decrease buttons  $+/-$  simultaneously for 6 seconds until the machine emits three beeps, all icons on the screen light up, indicating the resetting is complete.



## CLEAN AND CARE

It's recommended to clean the feeder regularly for the health of pets.

The washable parts are as follows: lid, food tank, tank base, stainless steel bowl, and bowl holder.

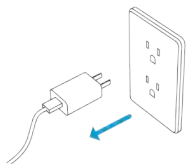
Clean other parts with a dry cloth.

### Clean the tank lid, food tank, tank base

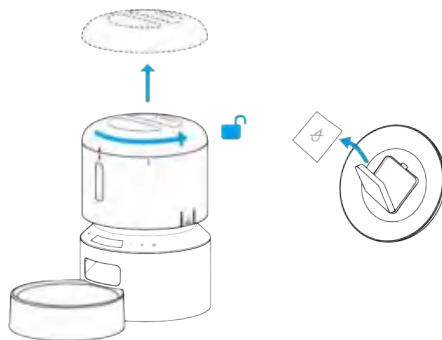
Before removing the food tank, be sure the food tank is empty in case of food spilling all over.



1. Disconnect power before cleaning.



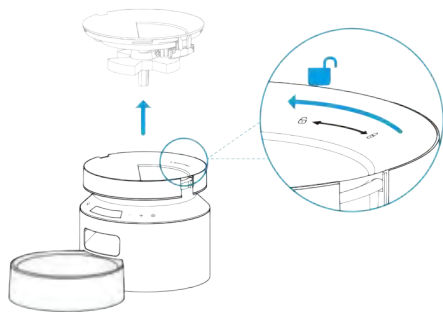
2. Twist anticlockwise to remove the lid and take out the desiccant bag from the inner box under the lid.



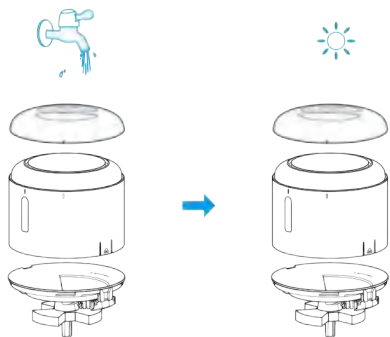
3. Pull up along the notches to remove the tank.



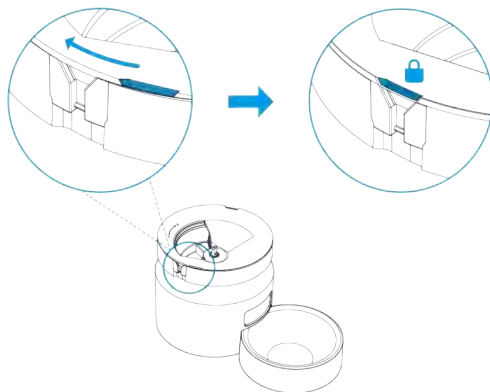
4. Twist anticlockwise to remove the tank base.



5. Thoroughly rinse and air dry the lid, tank and tank base .



6. Refit them to the machine. Turn the tank base clockwise until it snaps into place



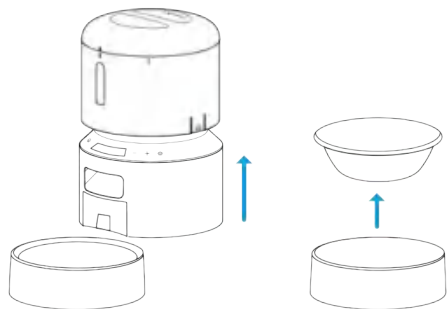
7. Then install the tank and lid.



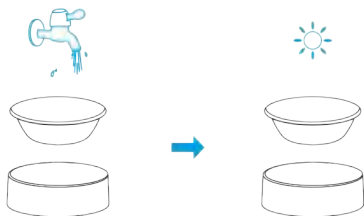


## Clean the Food Bowl

1. Press down the food bowl with holder to remove them.



2. Rinse and air dry them thoroughly before refitting them to the machine.



## SPECIFICATIONS

Model	PLAF005
Capacity	3 liters
Screen	LED screen
Power	DC 5V power adapter; 3 x alkaline D batteries (not included)
Power Adapter	AC100-240V Input, DC 5V output
Operating Temperature	0 C - 55 C / 32°F - 131°F
Dimensions	28 x 19 x 19 cm / 11x 7.5 x 7.5 in
Net Weight	1.5 kg / 3.3 lbs

Model	PLAF006
Capacity	5 liters
Screen	LED screen
Power	DC 5V power adapter; 3 x alkaline D batteries (not included)
Power Adapter	AC100-240V Input, DC 5V output
Operating Temperature	0 C - 55 C / 32°F - 131°F
Dimensions	34.6 x 19 x 19 cm / 13.6 x 7.5 x 7.5 in
Net Weight	1.64kg / 3.6lbs

## TROUBLESHOOTING

The answers to these questions should help you solve most problems you may have with the pet feeder. If they do not, please contact our Customer Care Center via [support@petlibro.com](mailto:support@petlibro.com).

Problem	Solution
"E1" shows on the screen and flashes.	<ol style="list-style-type: none"><li>1) Remove the blockages at the food outlet.</li><li>2) The anti-clog detector needs cleaning.</li></ol>
I press the buttons but they don't work.	Press and hold the Unlock Button for 3s to enter the setting mode.
I forget the meal settings.	<ol style="list-style-type: none"><li>1) The number of the meals that have been set will show on the locked interface. (Not show if not set)</li><li>2) In the unlocked state, press the Increase/Decrease button to choose the meal number you want to check, then press the setting button to check the settings.</li></ol>
The food won't come out.	<ol style="list-style-type: none"><li>1) Please make sure the food in the tank is dry, and food size is within 2-15 mm / 0.07-0.6 inches in diameter.</li><li>2) Remove the food tank and tank base, check if the chute inside is blocked.</li><li>3) Check if the anti-clog detector at the food outlet is dirty or blocked.</li><li>4) Check whether the battery level is low, whether the power adapter is connected, whether power outage occurs when the power adapter is connected and batteries are not installed.</li></ol>

Problem	Solution
LED display is off.	<ol style="list-style-type: none"><li>1) Press and hold the Unlock Button for 3s to unlock the screen.</li><li>2) Check whether the power adapter is connected.</li><li>3) Contact the support team at <a href="mailto:support@petlibro.com">support@petlibro.com</a> if the display still won't light up when the appliance is well connected to power.</li></ol>
I can't remove the food tank.	Please pull upwards along the notches on either side to remove the food tank.
The food amount of each portion is not the same.	The first few portions may vary, but it doesn't mean it's faulty. After about 6 feedings, it should be almost even.

## DEUTSCH

### SICHERHEITSRICHTLINIEN

#### ! WARNUNG

- Behandeln Sie alle Verpackungsmaterialien ordnungsgemäß. Einige Artikel sind möglicherweise in Plastiktüten verpackt. Diese Plastiktüten können Ersticken- gefahr verursachen. Halten Sie diese von Kindern und Haustieren fern.
- Lassen Sie kleine Kinder NICHT mit, in oder um den Futterautomat spielen.
- Um das Verletzungsrisiko zu verringern, überwachen Sie bitte genau, wenn ein Gerät in der Nähe von Kindern verwendet wird.
- Verwenden Sie den Futterautomat NICHT bei Haustieren, die nicht in der Lage sind, das Futtertablett zu erreichen, oder die mit körperlichen Behinderungen sind.
- Tauchen Sie den Sockel auf keinen Fall ins Wasser, denn dies kann elektronische Komponenten wie das Bedienfeld beschädigen.
- Legen Sie KEINE Fremdkörper in den Futterautomat.
- Verwenden Sie den Futterautomat NICHT im Freien. Überprüfen Sie den Betrieb regelmäßig, um sicherzustellen, dass das Gerät ordnungsgemäß abgibt.
- Verwenden Sie KEINE nassen und feuchten Futter sowie keine Dosen.
- Zerlegen Sie das Gerät NICHT anders als in diesem Benutzerhandbuch beschrieben.
- Verwenden Sie den Futterautomat NICHT für andere als den Verwendungszweck.
- Verwenden Sie nur vom Hersteller empfohlene oder verkaufte Attachments. Die Verwendung von Attachments, die nicht vom Hersteller empfohlen oder verkauft werden, kann zu einem unsicheren Zustand führen. Modifizieren Sie den Futterautomat nicht.

- Betreiben Sie das Gerät nicht, wenn es fehlerhaft funktioniert oder beschädigt wird. Versuchen Sie auch nicht, den Futtermatensystem selbst zu reparieren. Wenden Sie sich sofort an unser Kundendienstzentrum, um weitere Anweisungen zu erhalten.
- Ziehen Sie immer den Netzstecker aus, wenn Sie den Futterspender nicht benutzen und bevor Sie die reinigen.
- Ziehen Sie auf keinen Fall am Netzkabel, um den Stecker aus der Steckdose zu entfernen.
- Wenn der Stecker dieses Geräts nass wird, schalten Sie die Steckdose ein. Versuchen Sie nicht, den Netzstecker zu entfernen.
- Überprüfen Sie den Futterspender nach der Installation. Stecken Sie nicht ein, wenn es Wasser am Netzkabel oder Stecker gibt.
- Um Stolperfallen zu vermeiden, positionieren Sie das Netzkabel immer außerhalb des Fußgängerwegs.

## VORSICHT

- Lassen Sie Haustiere KEINE Teile kauen oder verschlucken. Wenn Sie über das Netzkabel besorgt sind, kaufen Sie in einer Eisenwarenhandlung ein Kabelrohr (einen Hartplastikschild), um das Netzkabel zu schützen.
- Wenn ein Verlängerungskabel notwendig ist, sollte ein Gerät mit einer geeigneten Nennleistung verwendet werden.
- Installieren oder lagern Sie den Tierfuttermatensystem NICHT dort, wo er Witterungseinflüssen oder Temperaturen unter 4°C / 40°F ausgesetzt ist.
- Verwenden Sie zur Stromversorgung D-Alkalibatterien aber KEINE wiederaufladbaren Batterien.
- Überprüfen Sie die Batterien regelmäßig. Ersetzen Sie die Batterien immer durch neue vor Verlassen für längere Zeit.

- Heben Sie den Futtermatensystem NICHT am Deckel, am Lebensmittelbehälter oder am Futtermatensystem an. Heben Sie ihn mit beiden Händen an und tragen Sie gleichzeitig den Sockel, während Sie das Gerät aufrecht halten.
- NUR für Trockenfutter mit einem Durchmesser von 2-15mm / 0.07-0.6in geeignet. Größere Trockenfutter können am Auslass steckenbleiben.
- Stecken Sie Ihre Finger nicht in den Auslass und lassen Sie Ihre Finger nicht den Rotor berühren.
- Lesen und befolgen Sie alle auf dem Futtermatensystem und der Verpackung genannten wichtigen Hinweise.

## GARANTIE

- Ein Jahr Garantie
- Lebenslange Unterstützung

Für Anleitungen zur Produktnutzung und Garantieverlängerung wenden Sie sich bitte per E-Mail an unseren Marken-Kundendienst: [support.eu@petlibro.com](mailto:support.eu@petlibro.com).

Bei Fragen zu Bestellungen wenden Sie sich bitte über die Einkaufsplattform an den Verkäufer.

## IN DER BOX



Automatischer Futterspender



Fressnapf mit Halter



Netzadapter



Benutzerhandbuch Set

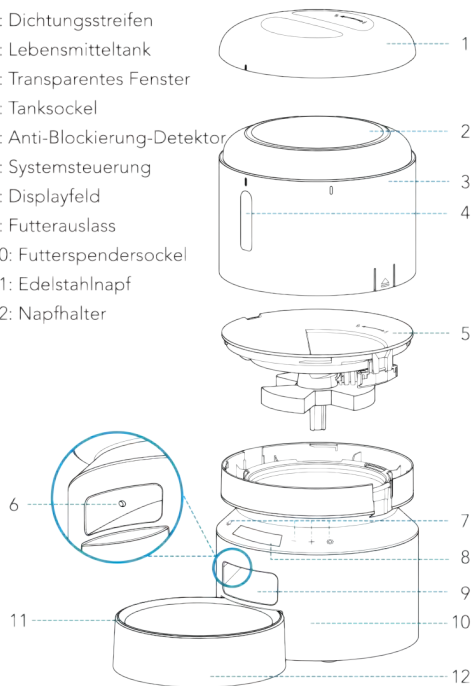


Trockenmittelbeutel



## PRODUKTÜBERSICHT

- 1: Deckel
- 2: Dichtungsstreifen
- 3: Lebensmitteltank
- 4: Transparentes Fenster
- 5: Tanksockel
- 6: Anti-Blockierung-Detektor
- 7: Systemsteuerung
- 8: Displayfeld
- 9: Futterauslass
- 10: Futterspendersockel
- 11: Edelstahlnapf
- 12: Napfhalter



## TASTEN - UND DISPLAYÜBERSICHT



### **Entsperrungstaste**

Halten Sie diese Taste 3 Sekunden lang gedrückt, um andere Tasten und den Bildschirm zu entsperren.

### **Manuelle Fütterungstaste**

Drücken Sie diese Taste 1-5 Mal(e), um 1-5 Portion(en) Futter zu verteilen.

### **Aufnahmetaste**

Drücken Sie diese Taste einmal und ein Piepton ist zu hören. Nehmen Sie Ihre Nachricht auf (max. 10 Sekunden), drücken Sie dann die Taste erneut, um die Nachricht zu speichern, dann ist ein doppelter Piepton zu hören.

### **- Taste zur Verringerung der Anzahl**

(Entsperrungsstatus) Drücken Sie diese Taste, um zwischen der Mahlzeitennummer zu wechseln.

(Einstellungsstatus) Drücken Sie diese Taste, um die Anzahl zu verringern.

### **+ Taste zur Erhöhung der Anzahl**

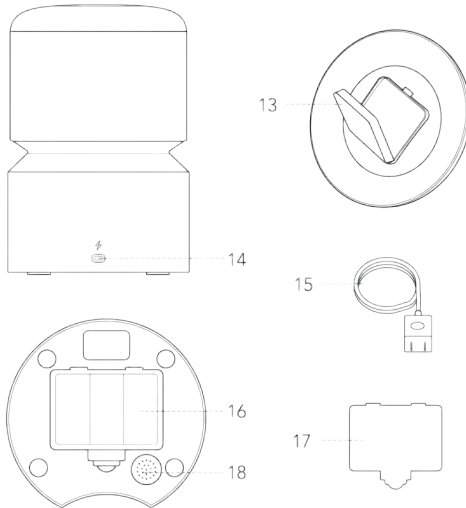
(Entsperrungsstatus) Drücken Sie diese Taste, um zwischen der Mahlzeitennummer zu wechseln.

(Einstellungsstatus) Drücken Sie diese Taste, um die Anzahl zu erhöhen.

### **Einstellungstaste**

(Einstellungsstatus) Drücken Sie die Taste zur Bestätigung, in den nächsten Schritt einzutreten.

Halten Sie diese Taste für 3 Sekunden lang gedrückt, um zum gesperrten Interface zurückzukehren.



13: Trockenmittelbox  
14: Stromversorgungsbuchse  
15: Netzadapter

16: Batteriefach  
17: Batteriefachdeckel  
18: Lautsprecher



### Zeiteinstellungssicon

Bereit für die gegenwärtige Zeiteinstellung.

### Batteriestandicon

Dieses Icon wird aufleuchten, wenn die Batterien eingelegt sind. Das Icon wird rot und blinkt, wenn der Batteriestand niedrig ist. Die Batterien müssen ersetzt werden.

### Sperricon

Dieses Icon wird aufleuchten, wenn andere Tasten gesperrt sind.

### Aufnahmeicon

Bereit zum Einstellen der Zeiten, zu denen die Aufnahme abgespielt wird.



Mahlzeitennummer

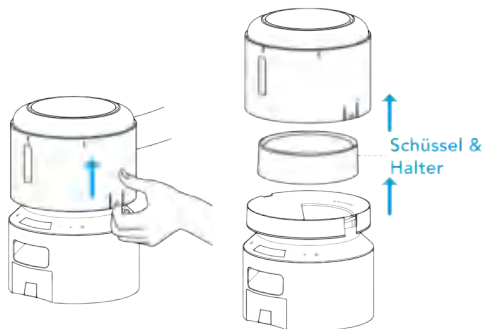
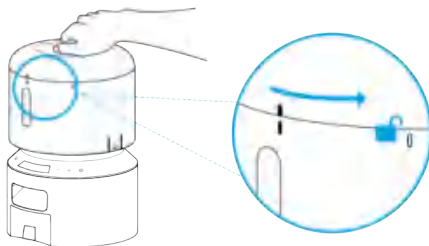
Vormittag  
Nachmittag

Der Anzeigebereich für Zeit, Anzahl der Fütterung und Aufnahmewiedergaben.

## VERWENDUNG

### Montage und Vorbereitung für die Einstellung

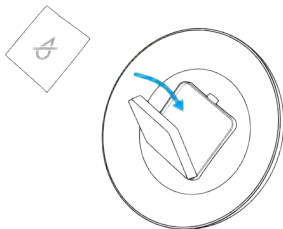
1. Nehmen Sie den Fressnapf vom Lebensmitteltank heraus. Drehen Sie den Deckel gegen den Uhrzeigersinn, um ihn zu entfernen. Legen Sie Ihre Hände auf die Kerben, ziehen Sie nach oben und dann entfernen den Lebensmitteltank. Nehmen Sie den Fressnapf heraus.



2. Legen Sie den Trockenmittelbeutel in die innere Box unter dem Deckel.

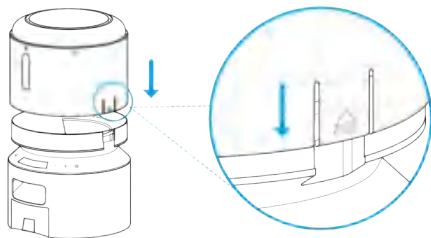
**Anmerkungen:**

- Es wird empfohlen, den Trockenmittelbeutel alle 15 Tage zu wechseln, um Schimmel zu vermeiden.
- Entfernen Sie den Trockenmittelbeutel vor Reinigung des Deckels.



3. Installieren Sie den Lebensmitteltank.

Richten Sie den Lebensmitteltank an den Kerben auf beiden Seiten des Tanksockels aus.



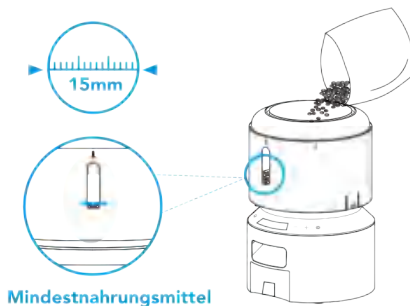
4. Fügen Sie Futter in den Tank hinzu.

**Anmerkungen:**

Um eine ungleichmäßige Futterausgabe zu vermeiden, fügen Sie bitte genügend Futter zum sichtbaren Niveau hinzu.

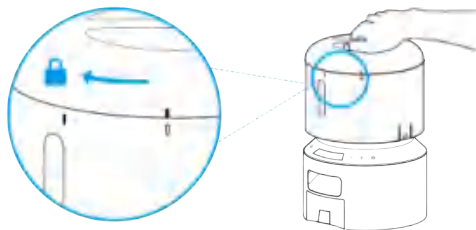
Empfohlene Trockenfuttergröße: Durchmesser von 2-15mm/0.07-06 Inch.

Verwenden Sie KEINE nassen und feuchten Futter sowie keine Dosen.



5. Setzen Sie den Deckel wieder auf.

Drehen Sie den Deckel im Uhrzeigersinn, um ihn zu installieren.





## 6. Installieren Sie den Fressnapf.

Befestigen Sie den Fressnapf an den vorgesehenen Kerben unter dem Futterspenderboden.

### Anmerkung:

**Drücken Sie den Napf nach unten, bevor Sie den Futterspender bewegen, um sie vom Futterspenderboden zu entfernen. Wenn es Futter im Napf gibt, gehen Sie vorsichtig damit um, um ein Verschütten zu vermeiden. Halten Sie die Sockel statt anderer Teile fest, wenn Sie den Futterspender anheben.**



## 7. Schließen Sie ans Stromnetz an

1) Stecken Sie den 5V-Netzadapter in eine Steckdose und das USB-Kabel in den USB-Anschluss auf der Rückseite des Futterspenders.

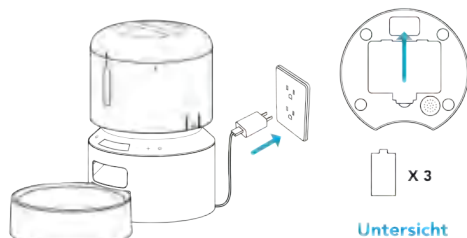
2) Das LED-Display leuchtet automatisch auf, um anzuzeigen, dass der Futterspender eingeschaltet ist.

3) Öffnen Sie das Batteriefach am Futterspenderboden. Legen Sie bei einem Stromausfall drei D-Alkalibatterien (nicht im Lieferumfang enthalten) ein. Stellen Sie sicher, dass die Batterien mit den positiven und negativen Polen mit den Markierungen im Batteriefach übereinstimmen.

4) Nach dem Einlegen der Batterien leuchtet das Batteriestandicon auf dem Bildschirm auf. Wenn das Icon rot wird und blinkt, bedeutet dies, dass der Batteriestand niedrig ist und die Batterien ersetzt werden müssen.

### Anmerkungen:

- Die Batterien sind nicht im Lieferumfang enthalten.
- Verwenden Sie die Batterien nicht als einzige Stromquelle, um einen plötzlichen Stromausfall zu vermeiden und die Fütterung Ihres Haustieres zu beeinträchtigen. Die Batterien können nur im Notfall verwendet werden.
- Entfernen Sie die Batterien, um eine Leckage der Batterie zu vermeiden, wenn Sie das Gerät längere Zeit nicht benutzen.





## Programmeinstellung

### 1. Stellen Sie die gegenwärtige Zeit ein

Beachten Sie bitte das 12-Stunden-AM / PM-Format. Die Zeit wechselt nach Ihrer Einstellung automatisch von AM in PM über.

Das Zeitdiagramm des 12-Stunden-Formats	
01:00 AM	01:00 PM
02:00 AM	02:00 PM
03:00 AM	03:00 PM
04:00 AM	04:00 PM
05:00 AM	05:00 PM
06:00 AM	06:00 PM
07:00 AM	07:00 PM
08:00 AM	08:00 PM
09:00 AM	09:00 PM
10:00 AM	10:00 PM
11:00 AM	11:00 PM
12:00 PM	12:00 AM



1) Halten Sie die Entsperrungstaste  für 3 Sekunden lang gedrückt, um andere Tasten und den Bildschirm zu entsperren. Das Zeiteinstellungssymbol  auf dem Bildschirm blinkt, dies bedeutet, dass der Einstellungsmodus aktiviert ist.



2) Drücken Sie die Einstellungstaste , die Stundenziffern werden blinken.



3) Verwenden Sie die Tasten zur Verringerung/Erhöhung  $+/-$ , um die aktuelle Zeit einzustellen. Drücken Sie die Einstellungstaste , um zu speichern und zur Minuteneinstellung zu wechseln.

4) Die Minutenziffer der Zehnerstelle blinkt, drücken Sie die Taste zur Verringerung  $-$  / Erhöhung  $+$ , stellen Sie zuerst die Zehnerstelle ein und drücken Sie die Einstellungstaste  zum Speichern. Stellen Sie dann die einstellige Minutenziffer ein und drücken Sie die Einstellungstaste  zum Speichern. Die aktuelle Zeiteinstellung ist fertig.



**Anmerkung: Die Steuerungstasten und der Bildschirm werden nach 1 Minute Standby automatisch gesperrt.**


### 2. Einstellung der Zeit und Portion von Mahlzeiten Einstellung der Zeit der ersten Mahlzeit



1) Nachdem die aktuelle Zeit eingestellt wird, tritt der Futterautomat in den Einstellungsmodus für den Fütterungsplan ein. Das Icon  blinkt, dies bedeutet, dass es für die erste Mahlzeit bereit ist.



2) Drücken Sie die Einstellungstaste , um die Fütterungszeit der ersten Mahlzeit einzustellen. Die Stundenziffern werden blinken.



3) Drücken Sie die Tasten zur Erhöhung  $+/-$  Verringerung, um die Stundenzahl einzustellen. Drücken Sie die Einstellungstaste , um zu speichern und zur Minuten-einstellung zu wechseln.



Die Minutenziffer der Zehnerstelle blinkt, drücken Sie die Taste zur Verringerung  $+/-$  Erhöhung, stellen Sie die Zehnerstelle ein und drücken Sie die Einstellungstaste  zum Speichern. Stellen Sie dann die einstellige Minutenziffer ein und drücken Sie die Einstellungstaste  zum Speichern.



### Einstellung der Portion der ersten Mahlzeit

Sobald die Zeit der ersten Mahlzeit eingestellt und gespeichert wird, tritt der Futterautomat in den Portion-Einstellungsmodus ein. Auf dem Bildschirm wird P-XX angezeigt, das für Portionen steht.



1) Drücken Sie die Tasten zur Erhöhung  $+/-$  Verringerung und stellen Sie die Portionen ein (max. 50). Stellen Sie zuerst die Zehnerstelle ein und drücken Sie die Einstellungstaste  zum Speichern. Stellen Sie dann die einstellige Minutenziffer ein und drücken Sie die Einstellungstaste  zum Speichern.




2) Wenn nötig, wiederholen Sie die obigen Schritte, um die Zeit und Portion anderer Mahlzeiten einzustellen. Der Futterautomat unterstützt bis zu 6 geplante Mahlzeiten pro Tag.



**Anmerkung: Die voreingestellte Fütterungszeit der ersten vier Mahlzeiten ist 6:00 AM, 12:00 PM, 6:00 PM, 12:00AM. Die Zeit der fünften und sechsten Mahlzeit ist 1:00 AM. Die voreingestellte Portion ist 0. Sie können die Voreinstellung ändern.**

### 3. Aufnahme für Mahlzeit

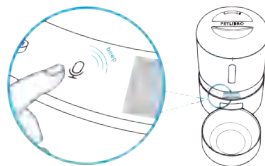
1) Im Entsperrungsstatus drücken Sie die Aufnahmetaste  einmal und eine Piepton ist zu hören.

2) Sprechen Sie und nehmen Sie Ihre Nachricht auf (Die maximale Aufnahmezeit beträgt 10 Sekunden). Drücken Sie die Aufnahmetaste  wieder und beenden die Aufnahme. Doppelte Piepton ist zu hören, dies bedeutet, dass die Aufnahme gespeichert ist.

3) Die Aufnahme wird automatisch einmal abgespielt, damit Sie die gerade aufgenommene Stimme überprüfen können.

#### Anmerkungen:


- Die Aufnahme wird voreingestellt bei jeder Mahlzeit zweimal abgespielt. Wenn es Zeit für Fütterung ist, wird die Aufnahme abgespielt.
- Die Aufnahme wird nicht bei der manuellen Fütterung abgespielt, sondern nur bei jeder voreingestellten Mahlzeit abgespielt.




## 4. Einstellung der Abspielzahl der Aufnahme

Die Abspielzahl der Aufnahme kann von 0 bis 5 eingestellt werden. Wenn die Zahl auf 0 gesetzt ist, wird die Aufnahme nicht bei der entsprechenden Mahlzeit abgespielt.

1) Im Entsperrungsstatus halten Sie die Aufnahme Taste  für 3 Sekunden gedrückt, das Aufnahmeicon  ist eingeschaltet und das Mahlzeit-Icon  blinkt ständig.

2) Drücken Sie die Tasten zur Erhöhung  $+/-$  Verringerung  $-/+$ , um die Nummer der Mahlzeit zu wählen, die Sie einstellen möchten. Dann drücken Sie die Einstellungstaste , um Ihre Einstellung zu speichern.




3) Auf dem Bildschirm wird F-XX angezeigt, das steht für die Abspielzahl. Drücken Sie die Tasten zur Erhöhung  $+/-$  Verringerung  $-/+$ , um die Abspielzahl der Aufnahme einzustellen. Drücken Sie dann die Einstellungstaste  zum Speichern.



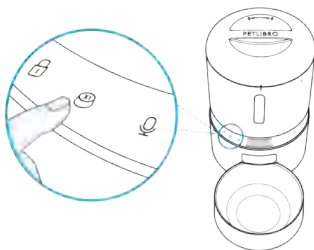
4) Wiederholen Sie die obigen Schritte, wenn Sie die Abspielzahl der Aufnahme für andere Mahlzeiten einstellen.

**Anmerkung: Halten Sie die Einstellungstaste für 3 Sekunden lang gedrückt, um zum gesperrten Interface zurückzukehren, nachdem alle Einstellungen fertig sind.**

## 5. Manuelle Fütterung

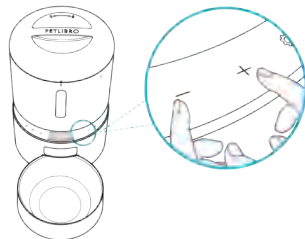
Im Entsperrungsstatus drücken Sie die manuelle Fütterungstaste  einmal, der Futterspender verteilt eine Portion Futter. Sie können die manuelle Fütterungstaste fünfmal drücken und der Futterspender wird 5 Portionen Futter verteilen.

**Anmerkung: Der normale Plan und die Portion werden nicht beeinflusst.**



## 6. Löschung aller Einstellungen

Drücken Sie die Tasten zur Erhöhung  $+/-$  Verringerung  $-/+$  gleichzeitig für 6 Sekunden lang, bis drei Pieptöne zu hören sind. Alle Icons auf dem Bildschirm leuchten auf und das Zurücksetzen ist fertig.



## REINIGUNG UND WARTUNG

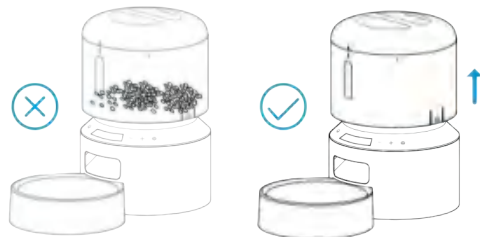
Es wird empfohlen, den Futterautomat regelmäßig zu reinigen, um die Gesundheit von Haustieren zu gewährleisten.

Die waschbaren Teile sind wie folgt: Deckel, Lebensmitteltank, Tanksockel, Edelstahlnapf und Napfhalter.

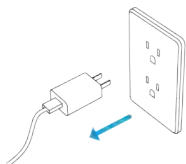
Reinigen Sie die anderen Teile bitte mit einem trockenen Tuch.

### Reinigung des Deckels, des Tanks und des Tanksockels

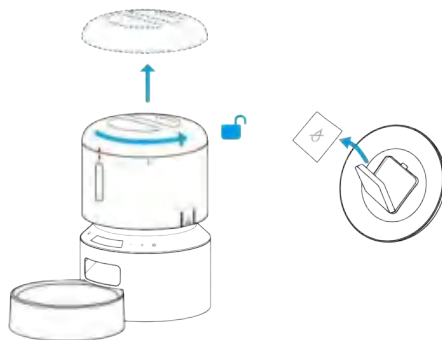
Before removing the food tank, be sure the food tank is empty in case of food spilling all over.



1. Schalten Sie bitte die Stromversorgung vor der Reinigung aus.



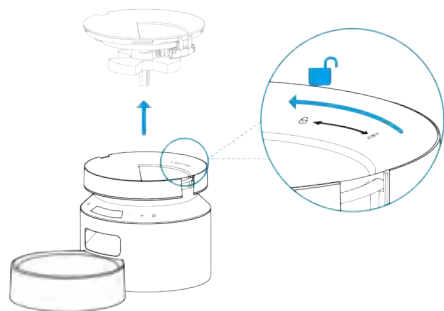
2. Schrauben Sie den Deckel gegen den Uhrzeigersinn ab und nehmen Sie den Trockenmittelbeutel aus der inneren Box unter dem Deckel.



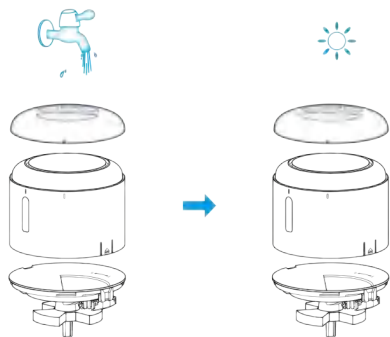
3. Legen Sie Ihre Hände auf die Kerben, ziehen Sie nach oben und dann entfernen den Lebensmitteltank.



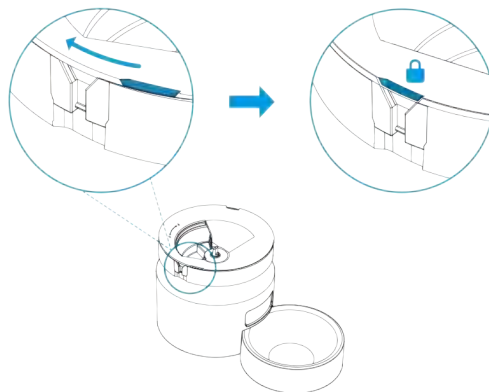
4. Schrauben Sie den Tanksockel gegen den Uhrzeigersinn ab.



5. Spülen Sie den Deckel, Tank und Tanksockel gründlich ab und trocknen Sie sie an der Luft.



6. Bringen Sie sie wieder an der Maschine an. Drehen Sie den Tanksockel im Uhrzeigersinn, bis er einrastet.

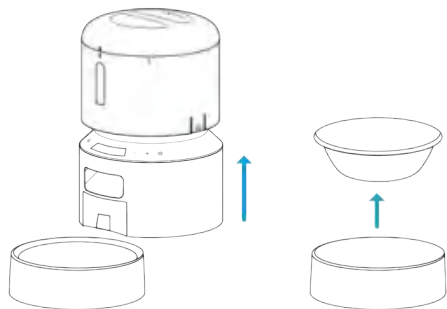


7. Installieren Sie dann den Tank und den Deckel.

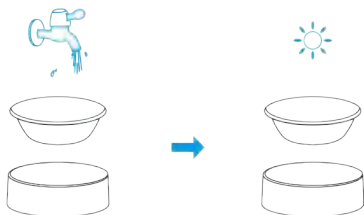


## Reinigung des Fressnapfs mit Halter

1. Drücken Sie nach unten und entfernen Sie den Fressnapf mit Halter.



2. Spülen Sie den Fressnapf mit Halter ab und trocknen Sie sie gründlich an der Luft, bevor Sie den Napf mit Halter wieder an der Maschine anbringen.



## SPEZIFIKATIONEN

Modell	PLAF005
Kapazität	3 liter
Bildschirm	LED-Bildschirm
Energie	DC 5V Netzadapter; 3 x D-Alkalibatterien (nicht im Lieferumfang enthalten)
Netzadapter	AC 100-240V Input, DC 5V Output
Betriebstemperatur	0 C - 55 C / 32°F - 131°F
Artikelmaße	28 x 19 x 19 cm / 11x 7,5 x 7,5 Inch
Nettogewicht	1,5 kg / 3,3 lbs

Modell	PLAF006
Kapazität	5 liters
Bildschirm	LED-Bildschirm
Energie	DC 5V Netzadapter; 3 x D-Alkalibatterien (nicht im Lieferumfang enthalten)
Netzadapter	AC100 240V Input, DC 5V Output
Betriebstemperatur	0 C - 55 C / 32°F - 131°F
Artikelmaße	34,6 x 19 x 19 cm / 13,6 x 7,5 x 7,5 Inch
Nettogewicht	1,64kg / 3,6lbs

## PROBLEME & LÖSUNGEN

Die Antworten auf diese Fragen sollen Ihnen helfen, die meisten Probleme zu lösen, die Sie möglicherweise mit dem automatischen Futterspender haben. Wenn dies nicht der Fall ist, wenden Sie sich bitte an unser Kundendienstzentrum unter **support.eu@petlibro.com**.

Probleme	Lösungen
„E1“ wird auf dem Bildschirm angezeigt und blinkt.	<ol style="list-style-type: none"> <li>Entfernen Sie die Blockierungen am Auslass.</li> <li>Der Anti-Blockierung-Detektor ist zu reinigen.</li> </ol>
Ich kann alle Tasten nicht drücken.	Drücken Sie bitte die Entsperrungstaste für 3 Sekunden lang, um mit dem Einstellungsmodus zu beginnen.
Ich kann mich nicht an die Einstellungen für Mahlzeiten erinnern.	<ol style="list-style-type: none"> <li>Die Anzahl der eingestellten Mahlzeiten wird auf dem gesperrten Interface angezeigt. (Nicht angezeigt, wenn nicht eingestellt)</li> <li>Im Entsperrungsstatus drücken Sie die Tasten zur Erhöhung/Verringerung und wählen Sie die Nummer der Mahlzeiten, die Sie überprüfen möchten. Dann drücken Sie die Einstellungstaste und überprüfen die Einstellungen.</li> </ol>
Die Futter kommt nicht heraus.	<ol style="list-style-type: none"> <li>Stellen Sie bitte sicher, dass die Futter im Tank trocken ist und die Futtergröße mit einem Durchmesser innerhalb von 2-15 mm / 0.07-0.6 Inch ist.</li> <li>Entfernen Sie den Lebensmitteltank und den Tanksockel und prüfen Sie, ob die Rutsche im Inneren verstopft ist.</li> <li>Überprüfen Sie bitte, ob der Anti-Blockierung-Detektor am Auslass verschmutzt oder verstopft ist.</li> </ol>

Probleme	Lösungen
Die Futter kommt nicht heraus.	<ol style="list-style-type: none"> <li>Überprüfen Sie bitte, ob der Batteriestand niedrig ist, ob der Netzadapter angeschlossen ist, ob ein Stromausfall auftritt, wenn der Netzadapter angeschlossen ist und keine Batterien installiert sind.</li> </ol>
Das LED-Display ist aus.	<ol style="list-style-type: none"> <li>Drücken Sie bitte die Entsperrungstaste für 3 Sekunden lang, um den Bildschirm zu entsperren.</li> <li>Überprüfen Sie bitte, ob der Netzadapter angeschlossen ist.</li> <li>Wenden Sie sich an das Support-Team unter <b>support.eu@petlibro.com</b>, wenn das Display immer aus ist, aber das Gerät ist gut an die Stromversorgung angeschlossen. Stromversorgung angeschlossen.</li> </ol>
Ich kann den Tank nicht entfernen.	Ziehen Sie bitte an den Kerben auf beiden Seiten nach oben, um den Lebensmitteltank zu entfernen.
Die Futtermenge jeder Portion ist nicht gleich.	Die einigen Portionen am Anfang können verschieden sein, aber das bedeutet nicht, dass der automatische Futterspender fehlerhaft ist. Nach ca. 6 Fütterungen sollte jede Portion fast gleichmäßig sein



## ITALIANO

### LINEE GUIDA PER LA SICUREZZA

#### ! ATTENZIONE

- Smaltire correttamente tutti i materiali di imballaggio. Alcuni articoli possono essere imballati in sacchetti di plastica; questi sacchetti potrebbero causare soffocamento; tenere lontano da bambini e animali domestici.
- NON permettere ai bambini piccoli di giocare con, dentro o intorno all'alimentatore per animali domestici.
- Per ridurre il rischio di lesioni, tenere sotto stretta sorveglianza l'apparecchio quando viene utilizzato in prossimità di bambini.
- NON utilizzare la mangiatoia con animali non in grado di raggiungere il vassoio del cibo o con disabilità fisiche.
- NON immergere mai la base in acqua per non danneggiare i componenti elettronici come il pannello di controllo.
- NON inserire oggetti estranei nella mangiatoia.
- NON utilizzare all'aperto. Controllare frequentemente il funzionamento per assicurarsi che l'unità eroghi correttamente.
- NON utilizzare cibo bagnato, in scatola o umido.
- NON smontare l'unità se non secondo le istruzioni riportate in questo manuale d'uso.
- NON utilizzare l'alimentatore per scopi diversi da quelli previsti.
- Utilizzare solo accessori raccomandati o venduti dal produttore. L'uso di accessori non raccomandati o venduti dal produttore può causare condizioni di pericolo. Non modificare l'alimentatore.
- Non mettere in funzione alcun apparecchio se l'unità è malfunzionante o è stata danneggiata. Non tentare di riparare l'alimentatore da soli. Contattare immediatamente il nostro servizio clienti per ulteriori istruzioni.

- Scollegare sempre la spina quando non viene utilizzata e prima della pulizia.
- Non tirare mai il cavo di alimentazione per rimuovere la spina dalla presa di corrente.
- Se la spina di questo dispositivo si inumidisce, riattivare l'elettricità alla presa a muro. Non tentare di staccare la spina.
- Esaminare l'alimentatore dopo l'installazione. Non inserire la spina se c'è acqua sul cavo di alimentazione o sulla spina.
- Per evitare di inciampare, posizionare sempre il cavo di alimentazione lontano dal traffico pedonale.

## ATTENZIONE

- NON permettere agli animali domestici di masticare o ingerire alcun componente. Se siete preoccupati per il cavo di alimentazione, acquistate una guaina (una protezione in plastica rigida) in qualsiasi negozio di ferramenta per proteggere il cavo di alimentazione.
- Se è necessario utilizzare una prolunga, si deve usare un'unità con una portata adeguata.
- NON installare o conservare l'alimentatore per animali domestici in luoghi esposti alle intemperie o a temperature inferiori a 4°C / 40°F.
- Per la ricarica utilizzare batterie alcaline D. NON utilizzare batterie ricaricabili.
- Controllare regolarmente le batterie. Prima di lasciare la mangiatoia per un periodo prolungato, sostituire sempre le batterie con batterie nuove.
- NON sollevare la mangiatoia per il coperchio, il serbatoio o il vassoio del cibo. Sollevarla e trasportarla usando entrambe le mani e la base, mantenendo l'unità in posizione verticale.

- Adatto SOLO per cibo secco, con crocchette di diametro compreso tra 2 e 15 mm. Le crocchette più grandi possono rimanere incastrate nell'uscita del cibo.
- Non inserire le dita nell'uscita del cibo e non lasciare che le dita tocchino il rotore.
- Leggere e rispettare tutte le avvertenze importanti riportate sulla mangiatoia e sulla confezione.

## GARANZIA

- 1 anno di garanzia
- Supporto a vita

Per indicazioni sull'uso del prodotto e sull'estensione della garanzia, contattare il nostro personale post-vendita del marchio tramite e-mail: **support@petlibro.com**.

In caso di domande relative agli ordini, contattare il venditore tramite la piattaforma di acquisto.

## NELLA SCATOLA



Mangiatoia automatica  
per animali domestici

X1



Ciotola per alimenti  
con supporto

X1



Adattatore di  
alimentazione

X1



Kit guida per l'utente

X1

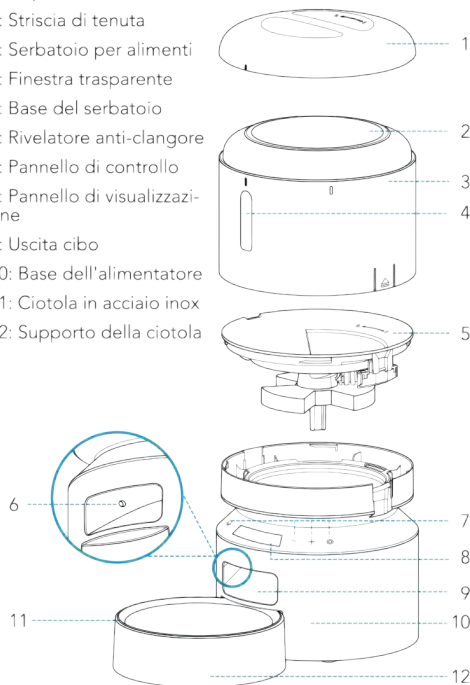


Borsa essiccante

X1

## PANORAMICA DEL PRODOTTO

- 1: Coperchio
- 2: Striscia di tenuta
- 3: Serbatoio per alimenti
- 4: Finestra trasparente
- 5: Base del serbatoio
- 6: Rivelatore anti-clangore
- 7: Pannello di controllo
- 8: Pannello di visualizzazione
- 9: Uscita cibo
- 10: Base dell'alimentatore
- 11: Ciotola in acciaio inox
- 12: Supporto della ciotola



## PANORAMICA DEI PULSANTI E DEL DISPLAY



### Pulsante di sblocco

Tenere premuto per 3 secondi per sbloccare gli altri pulsanti e lo schermo.

### Pulsante Alimentazione manuale

Premere 1-5 volte per erogare 1-5 porzioni di cibo.

### Pulsante Registrazione

Premere una volta e sentire un segnale acustico, registrare il messaggio (massimo 10s), quindi premere di nuovo per salvare e sentire un doppio segnale acustico.

### Pulsante di riduzione del numero

(Stato sbloccato) Premere per passare da un numero all'altro.

(Stato di impostazione) Premere per diminuire il numero.

### Pulsante di aumento del numero

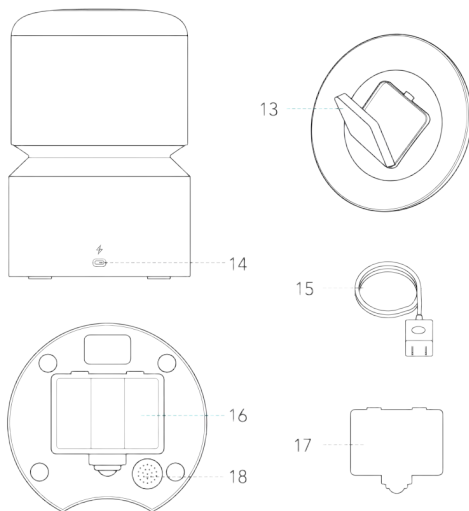
(Stato sbloccato) Premere per passare da un pasto all'altro.

(Stato di impostazione) Premere per aumentare il numero.

### Pulsante di impostazione

(Stato di impostazione) Premere per confermare e accedere al passo successivo.

Tenere premuto per 3 secondi per tornare all'interfaccia bloccata.



13: Scatola dell'essiccante

14: Presa di alimentazione

15: Adattatore di alimentazione

16: Scomparto batterie

17: Coperchio dello scomparto

18: Altoparlante



### Icona di impostazione dell'ora

Pronto per l'impostazione dell'ora corrente.

### Icona del livello della batteria

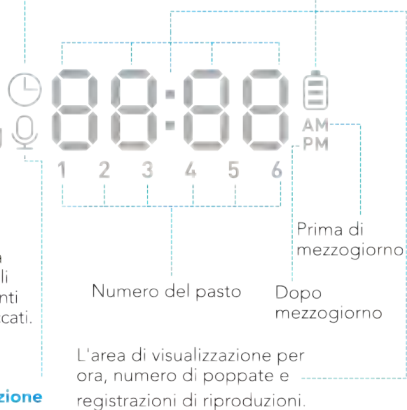
Si illumina quando le batterie sono installate. Diventa rossa e lampeggia quando il livello della batteria è basso e le batterie devono essere sostituite.

### Icona di blocco

Si illumina quando gli altri pulsanti sono bloccati.

### Icona Registrazione

Pronto per l'impostazione dei tempi di riproduzione del pasto.

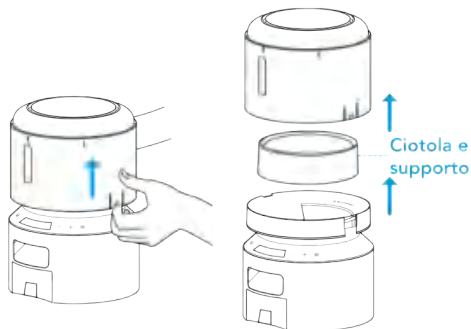
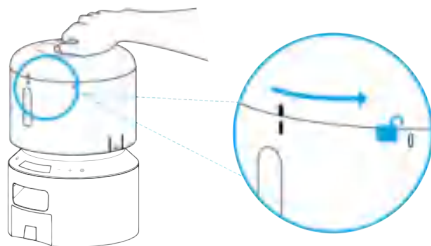


## COME USARE

### Montaggio e preparazione per l'installazione

1. Estrarre la ciotola del cibo all'interno del serbatoio del cibo.

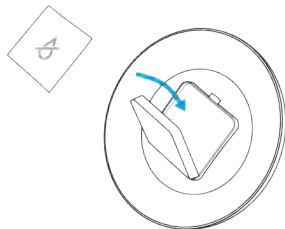
Ruotare il coperchio in senso antiorario per rimuoverlo. Tirare verso l'alto lungo le tacche su entrambi i lati per rimuovere il serbatoio del cibo.



2. Posizionare il sacchetto di essiccante nella scatola interna sotto il coperchio.

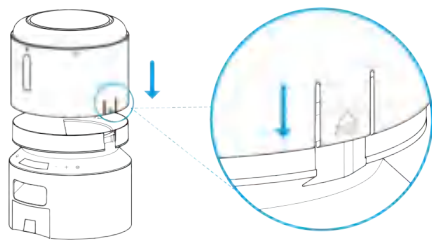
**Note:**

- Si consiglia di cambiare il sacchetto di essiccante ogni 15 giorni per evitare la formazione di muffa.
- Rimuovere il sacchetto di essiccante prima di pulire il coperchio.



3. Installare il serbatoio del cibo.

Allineare il serbatoio del cibo alle tacche su entrambi i lati della base del serbatoio.



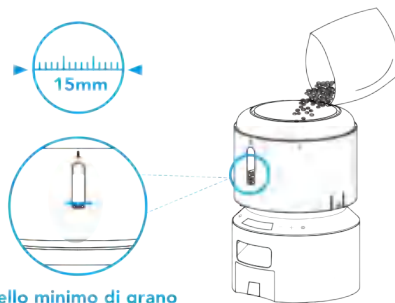
4. Aggiungere il cibo secco per animali domestici nel serbatoio del cibo.

**Nota:**

Per evitare un'erogazione non uniforme del cibo, aggiungere una quantità di cibo sufficiente al livello visibile.

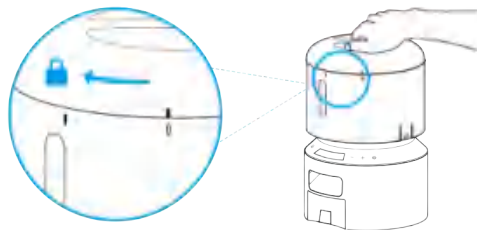
Dimensioni consigliate delle crocchette: 2-15 mm/0,07-0,6 pollici di diametro.

Non utilizzare cibo in scatola, umido o bagnato.



5. Rimettere il coperchio.

Per incastrarlo, ruotare il coperchio in senso orario dal segno di rotazione destro al segno di rotazione sinistro.

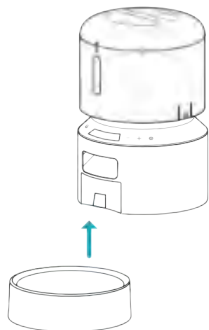


## 6. Installazione della ciotola per il cibo

Fissare la ciotola alle apposite tacche sotto la base dell'alimentatore.

### Nota:

**Prima di spostare la mangiatoia, premere la ciotola verso il basso per rimuoverla dalla base della mangiatoia. Se la ciotola contiene cereali, maneggiarla delicatamente per evitare che si rovesci. Quando si solleva la mangiatoia, tenere la base e non altre parti.**



## 7. Collegare l'alimentazione

1) Inserire l'alimentatore da 5V in una presa di corrente e il cavo USB nella porta USB sul retro dell'alimentatore.

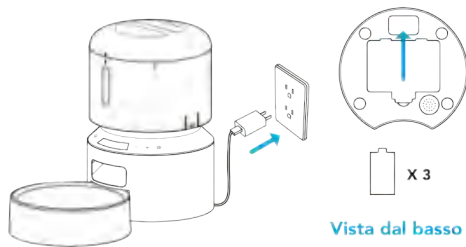
2) Il display a LED si accenderà automaticamente per indicare che l'alimentatore è acceso.

3) Aprire il vano batteria nella parte inferiore dell'alimentatore. Installare tre batterie alcaline D (non incluse) in caso di interruzione di corrente. Assicurarsi che le batterie corrispondano ai poli positivo e negativo con i contrasegni nel vano.

4) Dopo aver installato le batterie, l'icona della batteria si accende sullo schermo; quando l'icona diventa rossa e lampeggia, significa che il livello della batteria è basso e le batterie devono essere sostituite.

### Nota:

- **Le batterie non sono incluse.**
- **Per evitare che un'improvvisa interruzione di corrente comprometta l'alimentazione dell'animale domestico, non utilizzare le batterie come unica fonte di alimentazione della mangiatoia; le batterie possono essere utilizzate solo come piano di emergenza.**
- **Per evitare perdite di batteria, rimuovere le batterie se non si utilizza il dispositivo per un certo periodo di tempo.**





## Impostazione del programma

### 1. Impostare l'ora corrente

Si prega di prestare attenzione al formato 12 ore AM/PM. L'ora cambierà automaticamente da AM a PM in base alle tue impostazioni.


Il grafico orario del formato a 12 ore	
01:00 AM	01:00 PM
02:00 AM	02:00 PM
03:00 AM	03:00 PM
04:00 AM	04:00 PM
05:00 AM	05:00 PM
06:00 AM	06:00 PM
07:00 AM	07:00 PM
08:00 AM	08:00 PM
09:00 AM	09:00 PM
10:00 AM	10:00 PM
11:00 AM	11:00 PM
12:00 PM	12:00 AM



1) Tenere premuto il pulsante di sblocco  per 3 secondi per sbloccare altri pulsanti e schermo, l'icona di impostazione dell'ora corrente  sullo schermo lampeggia, indica che è entrata in modalità di impostazione.



2) Premere il pulsante di impostazione , le cifre delle ore lampeggiano.



3) Utilizzare il pulsante Incremento/Diminuzione  $+/-$  per impostare l'ora corrente, quindi premere il pulsante di impostazione  per salvare e passare all'impostazione dei minuti.

4) Le cifre delle decine dei minuti lampeggiano, premere il pulsante Incremento/Diminuzione  $+/-$  per impostare prima la cifra delle decine e premere il pulsante di impostazione  per salvare, quindi impostare la cifra singola e premere il pulsante di impostazione  per salvare. L'impostazione dell'ora corrente è completa.



**Nota: i tasti di controllo e lo schermo si bloccano automaticamente dopo 1 minuto di inattività.**

### 2. Impostare l'ora e le porzioni dei pasti Impostazione dell'ora del primo pasto.

1) Dopo aver impostato l'ora corrente, l'alimentatore entra in modalità di impostazione del piano di alimentazione. L'icona **1** lampeggia per indicare che è pronto per l'impostazione del primo pasto.





2) Premere il pulsante di impostazione , le cifre delle ore lampeggiano.





3) Premere il pulsante Aumenta/Diminuisce  $+/-$  per impostare l'ora. Premere il pulsante di impostazione  per salvare e passare all'impostazione dei minuti.



Le cifre delle decine dei minuti lampeggiano, premere il pulsante Aumenta/Diminuisce  $+/-$  per impostare prima la cifra delle decine e premere il pulsante di impostazione  per salvare, quindi impostare la cifra singola e premere il pulsante di impostazione  per salvare.



### Impostare la porzione del primo pasto

Una volta impostata e salvata la prima ora del pasto, l'alimentatore entra nella modalità di impostazione delle porzioni. Lo schermo visualizzerà P-XX, che sta per porzioni.



1) Premere il pulsante Incremento/Diminuzione  $+/-$  per impostare le porzioni (Max 50), impostare prima la cifra delle decine e premere il pulsante di impostazione  per salvare, quindi impostare la cifra singola e premere il pulsante di impostazione  per salvare.





2) Ripetere i passaggi precedenti per impostare l'ora e la porzione degli altri pasti, se necessario. L'alimentatore supporta fino a 6 pasti programmati al giorno.



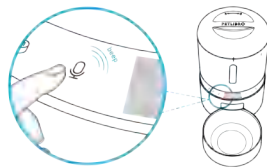
**Nota: l'orario di alimentazione predefinito dei primi quattro pasti è 6:00 AM, 12:00 PM, 6:00 PM, 12:00 AM, e l'ora del quarto e sesto pasto è l'1:00 AM. del quinto e del sesto pasto è l'1:00 del mattino; la porzione predefinita è 0. porzione predefinita è 0. È possibile modificare la preimpostazione.**

### 3. Registrazione di una chiamata al pasto

- 1) In stato di sblocco, premere una volta il pulsante di registrazione ; viene emesso un segnale acustico.
- 2) Parlare e registrare il messaggio (il tempo massimo di registrazione è di 10 secondi). Premere di nuovo il pulsante di registrazione  per terminare; due segnali acustici indicano che la registrazione è stata salvata.
- 3) La registrazione viene riprodotta automaticamente una volta per consentire all'utente di controllare la voce appena registrata.





#### Nota:

- La riproduzione predefinita del richiamo del pasto è di 2 volte e il richiamo del pasto viene riprodotto quando il tempo di alimentazione è terminato.
- Il richiamo del pasto non viene riprodotto durante l'alimentazione manuale, ma solo ad ogni pasto designato.



#### 4. Impostazione degli orari di riproduzione della chiamata al pasto

Gli orari di riproduzione della chiamata pasto possono essere impostati da 0 a 5. Se l'ora è impostata a zero, la chiamata al pasto non verrà riprodotta al pasto corrispondente.

- 1) Nello stato di sblocco, tenere premuto il pulsante Registrazione  per 3 secondi; l'icona di registrazione  è accesa e l'icona del pasto  continua a lampeggiare.
- 2) Premere il pulsante Aumenta/Diminuisci + / - per scegliere il numero di pasti che si desidera impostare, quindi premere una volta il pulsante Impostazione  per salvare.




- 3) Sullo schermo viene visualizzato F-XX, che sta per tempi di riproduzione. Premere il pulsante Aumenta/Diminuisci + / - per impostare gli orari di riproduzione del pasto, quindi premere il pulsante Impostazione  per salvare.



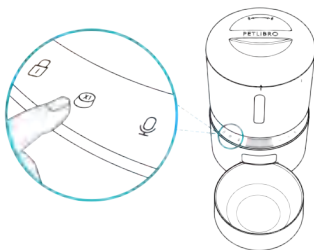
- 4) Ripetere i passaggi precedenti per impostare il numero di volte in cui la chiamata pasto viene riprodotta per altri pasti.

**Nota: al termine di tutte le impostazioni, tenere premuto il pulsante di impostazione per 3 secondi per tornare all'interfaccia bloccata.**

#### 5. Alimentazione manuale dell'animale domestico

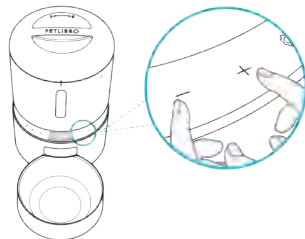
Nello stato sbloccato, premendo una volta il pulsante di alimentazione manuale , l'alimentatore eroga una porzione di cibo. È possibile premere il pulsante di alimentazione manuale al massimo 5 volte e l'alimentatore erogherà 5 porzioni di cibo.

**Nota: il programma e le porzioni normali non vengono modificati.**



#### 6. Azzeramento di tutte le impostazioni

Tenere premuti i pulsanti Aumenta/Diminuisci + / - contemporaneamente per 6 secondi, finché la macchina non emette tre segnali acustici e tutte le icone sullo schermo si illuminano, a indicare che la reimpostazione è completa.



## PULIZIA E CURA

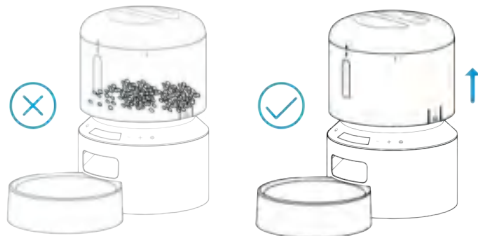
Si raccomanda di pulire regolarmente la mangiatoia per la salute degli animali domestici.

Le parti lavabili sono le seguenti: coperchio, serbatoio del cibo, base del serbatoio, ciotola in acciaio inox e supporto della ciotola.

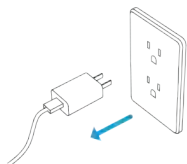
Pulire le altre parti con un panno asciutto.

### **Pulire il coperchio del serbatoio, il serbatoio del cibo, la base del serbatoio**

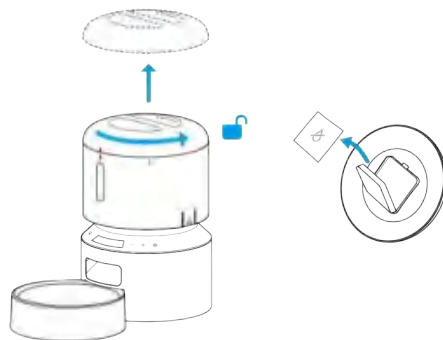
Prima di rimuovere il serbatoio del cibo, accertarsi che sia vuoto per evitare che il cibo si sparga dappertutto.



1. Scollegare l'alimentazione prima della pulizia.



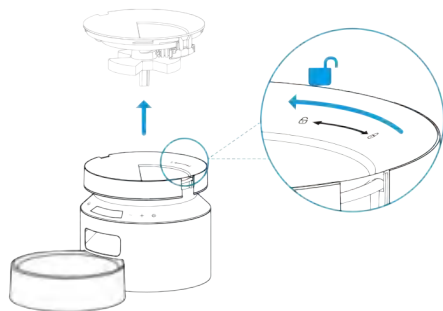
2. Ruotare in senso antiorario per rimuovere il coperchio ed estrarre il sacchetto di essiccante dalla scatola interna sotto il coperchio.



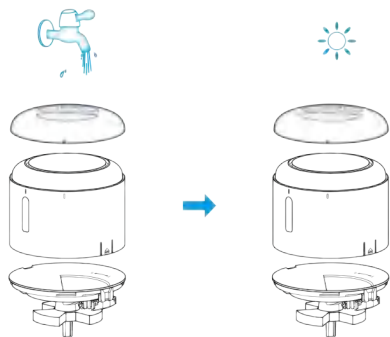
3. Tirare verso l'alto lungo le tacche per rimuovere il serbatoio.



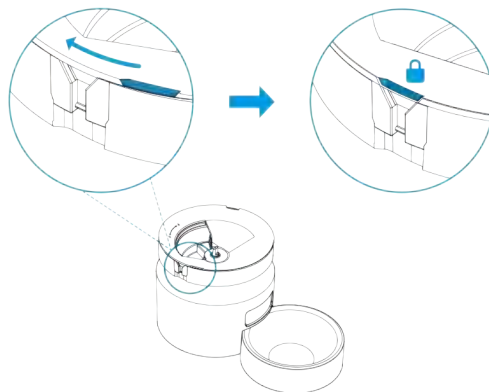
4. Ruotare in senso antiorario per rimuovere la base del serbatoio.



5. Sciacquare accuratamente e asciugare all'aria il coperchio, il serbatoio e la base del serbatoio.



6. Rimontare il tutto sulla macchina. Ruotare la base del serbatoio in senso orario finché non scatta in posizione.

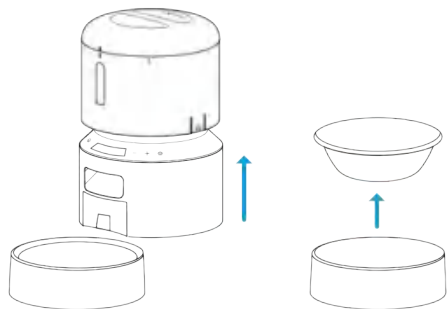


7. Poi installare il serbatoio e il coperchio.

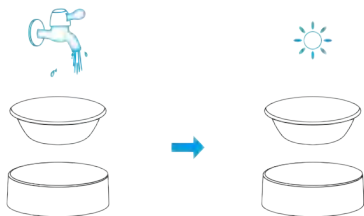


## Pulire la ciotola del cibo

1. Premere la ciotola del cibo con il supporto per rimuoverli.



2. Risciacquare e asciugare accuratamente all'aria prima di rimontarli sulla macchina.



## SPECIFICHE

Modello	PLAF005
Capacità	3 litri
Schermo	Schermo a LED
Alimentazione	Adattatore di corrente DC 5V; 3 batterie alcaline D (non incluse)
Adattatore di alimentazione	Ingresso AC100-240V, uscita DC 5V
Temperatura di funzionamento	0°C - 55°C / 32°F - 131°F
Dimensioni	28 x 19 x 19 cm / 11 x 7,5 x 7,5 in
Peso netto	1,5 kg / 3,3 lbs

Modello	PLAF006
Capacità	5 litri
Schermo	Schermo a LED
Alimentazione	Adattatore di corrente DC 5V; 3 batterie alcaline D (non incluse)
Adattatore di alimentazione	Ingresso AC100-240V, uscita DC 5V
Temperatura di funzionamento	0°C - 55°C / 32°F - 131°F
Dimensioni	34,6 x 19 x 19 cm / 13,6 x 7,5 x 7,5 pollici
Peso netto	1,64 kg / 3,6 libbre

## RISOLUZIONE DEI PROBLEMI

Le risposte a queste domande dovrebbero aiutarti a risolvere la maggior parte dei problemi che potresti avere con la mangiatoia per animali domestici. In caso contrario, contatta il nostro Centro assistenza clienti tramite [support@petlibro.com](mailto:support@petlibro.com).

Problema	Soluzione
Sullo schermo appare "E1" e lampeggia.	1) Rimuovere i blocchi all'uscita del cibo. 2) Il rilevatore anti-intasamento deve essere pulito.
Premi i pulsanti ma non funzionano.	Tenere premuto il pulsante di sblocco per 3 secondi per accedere alla modalità di impostazione.
Ho dimenticato le impostazioni dei pasti.	1) Il numero dei pasti impostati viene visualizzato sull'interfaccia bloccata. (Non viene visualizzato se non è stato impostato) 2) Nello stato sbloccato, premere il pulsante Aumenta/Diminuisci per scegliere il numero di pasti che si desidera controllare, quindi premere il pulsante di impostazione per verificare le impostazioni.
Il cibo non esce.	1) Assicurarsi che il cibo nel serbatoio sia asciutto e che le dimensioni del cibo siano comprese tra 2 e 15 mm / 0,07-0,6 pollici di diametro. 2) Rimuovere il serbatoio e la base del serbatoio e verificare se lo scivolo interno è bloccato. 3) Controllare se il rilevatore anti-intasamento all'uscita del cibo è sporco o bloccato.

Problema	Soluzione
Il cibo non esce.	4) Controllare se il livello della batteria è basso, se l'adattatore di alimentazione è collegato, se si verifica un'interruzione di corrente quando l'adattatore di alimentazione è collegato e le batterie non sono installate.
Il display a LED è spento.	1) Tenere premuto il pulsante di sblocco per 3 secondi per sbloccare lo schermo. 2) Controllare se l'adattatore di alimentazione è collegato. 3) Contattare il team di assistenza all'indirizzo <a href="mailto:support@petlibro.com">support@petlibro.com</a> se il display non si accende ancora quando l'apparecchio è ben collegato all'alimentazione.
Non riesco a rimuovere il serbatoio del cibo.	Per rimuovere il serbatoio del cibo, tirare verso l'alto lungo le tacche su entrambi i lati.
La quantità di cibo di ogni porzione non è la stessa.	Le prime porzioni possono variare, ma non significa che sia difettoso. Dopo circa 6 poppate, dovrebbe essere quasi uniforme.

## FRANÇAIS

### PRÉCAUTIONS DE SÉCURITÉ

#### ! AVERTISSEMENT

- Mettez au rebut tous les matériaux d' emballage de manière appropriée. Certains articles peuvent être emballés dans des sacs en plastique qui peuvent provoquer une suffocation. Donc, tenez-les éloignés des enfants et des animaux domestiques.
- Ne laissez PAS les enfants jouer avec, dans ou autour de la mangeoire pour animaux.
- Pour réduire le risque de blessure, veuillez surveiller de près l' appareil lorsqu' il est utilisé à proximité d' enfants.
- N' utilisez PAS la mangeoire pour des animaux domestiques incapables d' atteindre le plateau de nourriture ou présentant un handicap physique.
- Ne plongez JAMAIS la partie inférieure dans l' eau, car cela pourrait endommager les composants électroniques tels que le panneau de commande.
- Ne placer PAS d' objets étrangers dans la mangeoire pour animaux.
- N' utilisez PAS cet appareil à l' extérieur. Vérifiez fréquemment le fonctionnement de l' appareil pour vous assurer qu' il distribue correctement.
- N' utilisez PAS d' aliments humides, en conserve ou mouillés.
- Ne démontez PAS l' appareil autrement que conformément aux instructions du présent guide d'utilisation.
- N' utilisez PAS la mangeoire pour un usage autre que celui pour lequel elle a été conçue.
- Utilisez uniquement les accessoires recommandés ou vendus par le fabricant, sinon, il peut entraîner une situation dangereuse. Ne modifiez pas la mangeoire pour animaux vous-même.
- N' utilisez pas d' appareil si celui-ci présente un

dysfonctionnement ou a été endommagé. N' essayez pas de réparer vous-même la mangeoire pour animaux. Contactez immédiatement notre service clientèle pour obtenir des instructions supplémentaires.

- Débranchez toujours l' appareil lorsqu' il n' est pas utilisé et avant de le nettoyer.
- Ne tirez jamais sur le cordon d' alimentation électrique pour retirer la fiche de la prise murale.
- Si la fiche de cet appareil est mouillée, remettez l' électricité dans cette prise murale. N' essayez pas de la débrancher.
- Examinez la mangeoire pour animaux après son installation. Ne la branchez pas s' il y a de l' eau sur le cordon d' alimentation ou la fiche.
- Pour éviter de trébucher, placez toujours le cordon d' alimentation hors de portée des piétons.

## ATTENTION

- Ne laissez pas les animaux domestiques mâcher ou avaler des pièces. Si vous êtes préoccupé par le cordon d' alimentation, achetez un conduit de cordon (un protecteur en plastique dur) dans n' importe quelle quincaillerie pour protéger le cordon d' alimentation.
- Si une rallonge est nécessaire, il faut utiliser un appareil de calibre approprié.
- N' installez ou ne stockez PAS la mangeoire pour animaux dans un endroit où elle sera exposée aux intempéries ou à des températures inférieures à 4 ° C / 40°F.
- Utilisez des piles alcalines D pour l' alimentation. N' utilisez PAS de piles rechargeables.
- Vérifiez régulièrement les piles. Avant de partir pour une longue période, il est nécessaire de remplacer les piles par des neuves.
- Ne PAS soulever la mangeoire pour animaux par le

couvercle, le réservoir de nourriture ou le plateau de nourriture. Soulevez et portez-la en utilisant les deux mains et la base, tout en maintenant l' appareil en position verticale.

- Convient aux aliments secs UNIQUEMENT, avec des nourritures pour animaux d' un diamètre compris entre 2 et 15 mm / 0,07-0,6 pouce. Les nourritures pour animaux plus grosses peuvent rester coincées à la sortie des aliments de l' appareil.
- Ne mettez pas vos doigts dans la sortie des aliments de l' appareil et ne laissez pas vos doigts toucher le rotor.
- Lisez et respectez tous les avis importants figurant sur la mangeoire pour animaux et sur l' emballage

## GARANTIE

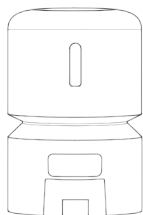
- Garantie d'une année
- Assistance à vie

Pour obtenir des conseils sur l'utilisation du produit et l'extension de la garantie, veuillez contacter le personnel du service après-vente de notre marque par e-mail: [support.eu@petlibro.com](mailto:support.eu@petlibro.com).

Pour toute question relative aux commandes, veuillez contacter le vendeur via la plateforme d'achat.



## CONTENU DE LA BOÎTE



Mangeoire automatique pour animaux

X1



Bol à nourriture  
avec support

X1



Chargeur

X1



Sac de dessiccant

X1

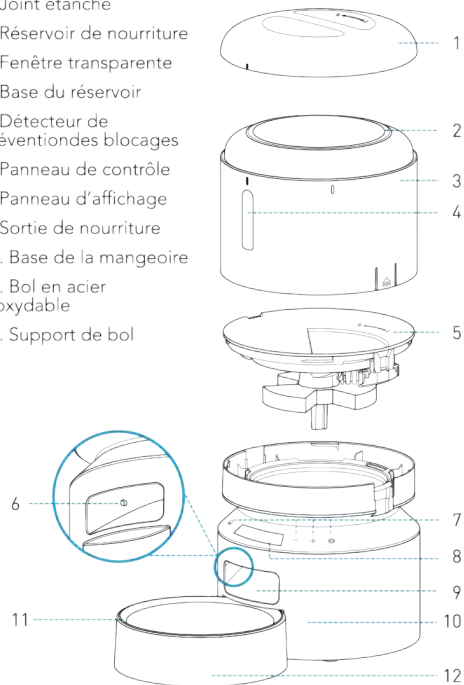


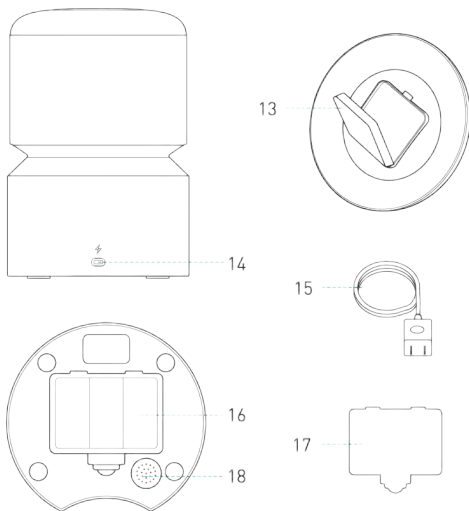
Kit de guide  
de l' utilisateur

X1

## SCHÉMA DU PRODUIT

1. Couvercle
2. Joint étanche
3. Réservoir de nourriture
4. Fenêtre transparente
5. Base du réservoir
6. Détecteur de prévention des blocages
7. Panneau de contrôle
8. Panneau d'affichage
9. Sortie de nourriture
10. Base de la mangeoire
11. Bol en acier inoxydable
12. Support de bol





- 13. Boîte de dessiccant
- 14. Prise d'alimentation
- 15. Adaptateur électrique/chargeur
- 16. Battery Compartment
- 17. Compartment Lid
- 18. Speaker

## PRÉSENTATION DES BOUTONS ET DE L'AFFICHAGE



### Bouton de déverrouillage

appuyez et maintenez-le enfoncé pendant 3s pour déverrouiller les autres boutons et l'écran.



### Bouton d'alimentation manuelle

appuyez 1 à 5 fois pour distribuer 1 à 5 portions de nourritures.



### Bouton d'enregistrement

appuyez une fois et un bip se fait entendre, enregistrez alors votre message (10s au maximum), puis appuyez de nouveau pour enregistrer et un double bip se fait entendre.



### Bouton de diminution du nombre

(Statut déverrouillé) Appuyez sur cette touche pour passer d'un numéro de repas à un autre.

(Statut de réglage) Appuyez sur ce bouton pour diminuer le numéro.



### Bouton d'augmentation du nombre

(Statut déverrouillé) Appuyez sur cette touche pour passer d'un numéro de repas à un autre.

(Setting Status) Appuyez sur ce bouton pour augmenter le nombre.



### Bouton de réglage

(État du réglage) Appuyez sur ce bouton pour confirmer et passer à l'étape suivante. Maintenez-le enfoncé pendant 3s pour revenir à l'interface verrouillée.



### Icône de réglage de l'heure

Prêt pour le réglage de l'heure actuelle.

### Icône de niveau de batterie

Cette icône s'allume lorsque les piles sont installées. Elle devient rouge et clignote lorsque le niveau de batterie est faible et qu'il faut les remplacer.

### Icône de verrouillage

Elle s'allume lorsque d'autres boutons sont verrouillés.

### Icône d'enregistrement

Prêt pour le réglage des heures pour lire l'enregistrement d'appel de repas.



Numéro de repas

Avant midi

Après midi

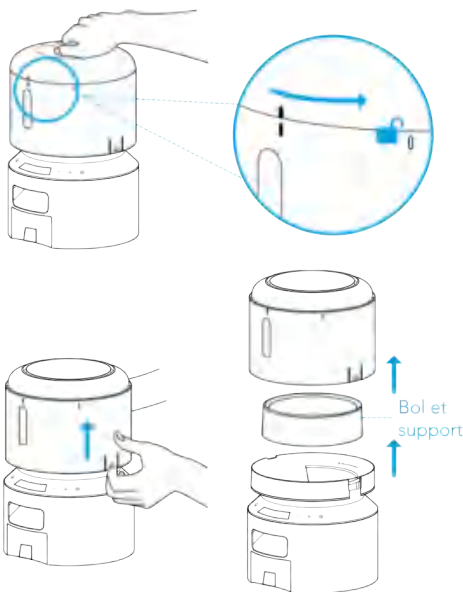
Zone d'affichage de l'heure, du nombre de repas et des lectures d'enregistrement.

## MODE D'EMPLOI

### Montage et préparation de la mise en place

1. Sortez le bol à nourriture à l'intérieur du réservoir de nourriture.

Tournez le couvercle dans le sens inverse des aiguilles d'une montre pour le retirer. Tirez vers le haut le long des encoches situées de chaque côté pour retirer le réservoir de nourriture.

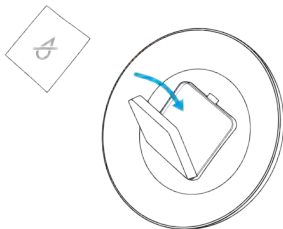


Bol et support

2. Placez le sac de dessiccant dans la boîte intérieure sous le couvercle.

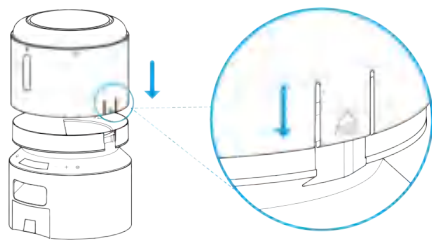
**Remarques:**

- Il est recommandé de changer le sac de dessiccant tous les 15 jours pour éviter la formation de moisissures.
- Retirez le sac de dessiccant avant de nettoyer le couvercle.



3. Installez le réservoir de nourriture

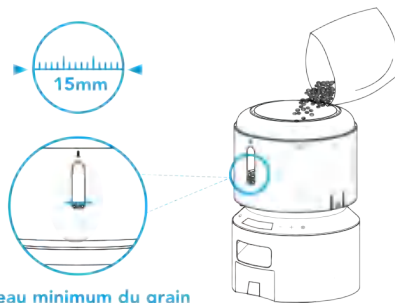
Alignez le réservoir de nourriture avec les encoches situées des deux côtés de la base du réservoir.



4. Ajoutez des nourritures

**Remarques:**

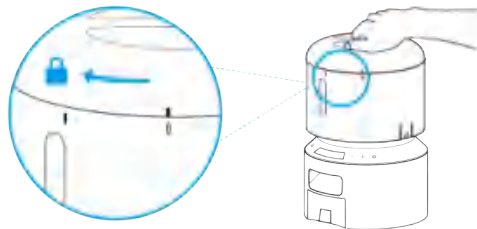
- Pour éviter une distribution inégale de la nourriture, veuillez ajouter suffisamment de nourriture pour animaux jusqu'au niveau visible.
- Taille recommandée des nourritures pour animaux : 2-15mm/0.07-06 pouce de diamètre.
- N'utilisez pas de nourriture en conserve, humide ou mouillée.



**Niveau minimum du grain**

5. Remettez le couvercle en place.

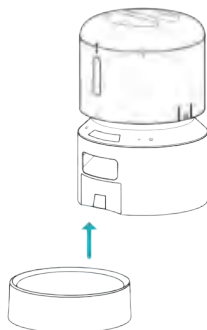
Pour le mettre en place, tournez le couvercle dans le sens des aiguilles d'une montre, du signe de rotation de droite à celui de gauche.



## 6. Installez le bol à nourriture

Fixez le bol aux encoches prévues à cet effet sous la base de la mangeoire.

**Remarque : avant de déplacer la mangeoire, appuyez sur le bol pour le retirer de la base de la mangeoire. S'il y a des nourritures dans le bol, manipulez-le délicatement pour éviter de le renverser. Tenez la base plutôt que toute autre partie lorsque vous soulevez la mangeoire.**



## 7. Branchez la mangeoire

1) Branchez l'adaptateur électrique 5V dans une prise de courant et branchez le câble USB dans le port USB à l'arrière du chargeur.

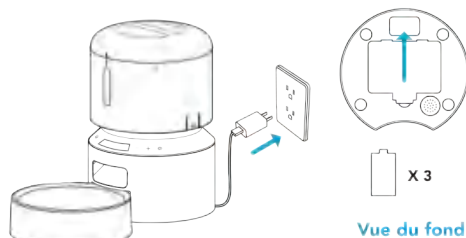
2) L'écran LED s'allume automatiquement pour indiquer que le chargeur est en marche.

3) Ouvrez le compartiment à piles situé au bas du chargeur. Installez trois piles alcalines D (non fournies) en cas de panne de courant. Assurez-vous que les pôles positifs et négatifs des piles correspondent aux marques du compartiment.

4) Une fois les piles installées, l'icône de la batterie s'allume à l'écran ; lorsque l'icône devient rouge et clignote, cela signifie que le niveau de la pile est faible et que les piles doivent être remplacées.

### Remarque :

- Les piles ne sont pas incluses dans ce produit.
- Pour éviter une panne de courant soudaine et que l'alimentation de votre animal soit affectée, n'utilisez pas les piles comme seule source d'alimentation de la mangeoire, les piles ne peuvent être utilisées qu'en cas d'urgence.
- Pour éviter une fuite des piles, retirez les piles si vous n'utilisez pas l'appareil pendant un certain temps.





## Réglage du programme

### 1. Régler l'heure actuelle

Veuillez prêter attention au format 12 heures AM/PM. L'heure passera automatiquement de AM à PM en fonction de votre réglage.

La carte du temps au format 12 heures	
01:00 AM	01:00 PM
02:00 AM	02:00 PM
03:00 AM	03:00 PM
04:00 AM	04:00 PM
05:00 AM	05:00 PM
06:00 AM	06:00 PM
07:00 AM	07:00 PM
08:00 AM	08:00 PM
09:00 AM	09:00 PM
10:00 AM	10:00 PM
11:00 AM	11:00 PM
12:00 PM	12:00 AM



1) Appuyez et maintenez le bouton déverrouillé  pendant 3s pour déverrouiller les autres boutons et l'écran. L'icône de réglage de l'heure actuelle  sur l'écran clignote, cela indique qu'il entre en mode de réglage.



2) Appuyez sur le bouton de réglage , les chiffres des heures clignotent.



3) Utilisez le bouton d'augmentation/diminution  $+/-$  pour régler l'heure actuelle et appuyez sur le bouton de réglage  pour enregistrer et passer au réglage des minutes.

4) Les chiffres des dizaines de minutes clignotent, appuyez sur le bouton d'augmentation/diminution  $+/-$  pour régler d'abord le chiffre des dizaines et appuyez sur le bouton de réglage  pour enregistrer, puis réglez le chiffre unique et appuyez sur le bouton de réglage  pour enregistrer. Alors le réglage de l'heure actuelle est terminé.



**Remarque : Les boutons de commande et l'écran se verrouillent automatiquement après 1 minute de veille.**

### 2. Régler l'heure et la portion des repas Régler l'heure du premier repas

1) Après le réglage de l'heure actuelle, la mangeoire pour animaux entre en mode de réglage du plan d'alimentation. L'icône **1** clignote, indiquant qu'il est prêt pour les réglages du premier repas.



2) Appuyez sur le bouton de réglage  pour régler l'heure d'alimentation du premier repas. Les chiffres des heures clignoteront.



3) Appuyez sur le bouton d'augmentation/diminution + / - pour régler l'heure. Appuyez ensuite sur le bouton de réglage ⚙ pour enregistrer et passer au réglage des minutes.

Les chiffres des dizaines de minutes clignotent, appuyez sur le bouton d'augmentation/diminution + / - pour régler d'abord les chiffres des dizaines et appuyez sur le bouton de réglage ⚙ pour enregistrer, puis réglez le chiffre des unités et appuyez sur le bouton de réglage ⚙ pour l'enregistrer.



### Régler la portion du premier repas

Une fois que l'heure du premier repas est réglée et enregistrée, la mangeoire passe en mode de réglage des portions. L'écran affiche P-XX, qui signifie « portions ».



1) Appuyez sur le bouton d'augmentation/diminution + / - pour régler les portions (50 au maximum). régler d'abord les chiffres des dizaines et appuyez sur le bouton de réglage ⚙ pour enregistrer, puis réglez le chiffre des unités et appuyez sur le bouton de réglage ⚙ pour l'enregistrer.





2) Répétez les étapes ci-dessus pour régler l'heure et la portion des autres repas si nécessaire. La mangeoire prend en charge jusqu'à 6 repas programmés par jour.



**Remarque : L'heure d'alimentation par défaut des quatre premiers repas est 6:00 AM, 12:00 PM, 6:00 PM, 12:00 AM, et l'heure du cinquième et du sixième repas est 1:00 AM. La portion par défaut est 0. Vous pouvez modifier le préréglage.**

### 3. Enregistrer un appel de repas

- 1) À l'état déverrouillé, appuyez une fois sur le bouton d'enregistrement , un bip se fait entendre.
- 2) Parlez et enregistrez votre message (la durée maximale d'enregistrement est de 30 secondes). Appuyez à nouveau sur le bouton d'enregistrement  pour terminer, deux bips se font entendre pour indiquer que l'enregistrement est sauvegardé.
- 3) L'enregistrement sera automatiquement lu une fois pour que vous puissiez vérifier la voix que vous venez d'enregistrer.




#### Remarques:


- La lecture par défaut de l'appel du repas est de 2 fois, et l'appel du repas sera lu à l'heure du repas.
- L'appel du repas n'est pas diffusé pendant l'alimentation manuelle, mais uniquement lorsque chaque repas est spécifié.



#### 4. Régler les heures de diffusion de l'appel de repas

Les heures de diffusion de l'appel de repas peuvent être réglées de 0 à 5. Si l'heure est fixée à zéro, l'appel de repas ne sera pas diffusé au repas correspondant.

1) A l'état déverrouillé, appuyez et maintenez le bouton d'enregistrement  pendant 3s, l'icône d'enregistrement  est allumée et l'icône de repas  continue de clignoter.

2) Appuyez sur le bouton d'augmentation/diminution + / - pour choisir le nombre de repas que vous souhaitez régler, puis appuyez une fois sur le bouton de réglage  pour enregistrer.




3) L'écran affichera F-XX en indiquant les heures de lecture. Appuyez sur le bouton d'augmentation/diminution pour + / - régler les heures de lecture de l'appel du repas, puis appuyez sur le bouton de réglage  pour enregistrer.



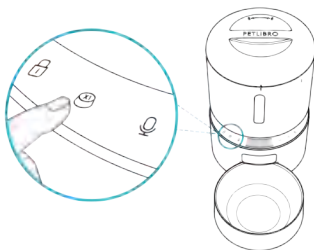
4) Répétez l'étape ci-dessus pour définir le nombre de fois que l'appel du repas sera diffusé pour les autres repas.

**Remarque : après avoir effectué tous les réglages, appuyez sur le bouton de réglage pendant 3 secondes pour revenir à l'interface verrouillée.**

#### 5. L'alimentation manuelle de votre animal

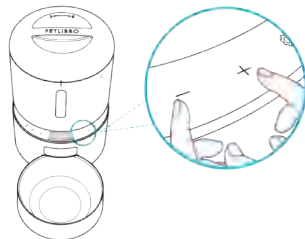
À l'état déverrouillé, appuyez une fois sur le bouton d'alimentation manuelle , la mangeoire distribue une portion de nourritures. Vous pouvez appuyer sur le bouton d'alimentation manuelle au maximum 5 fois, et la mangeoire distribuera 5 portions de nourritures.

**Remarque : L'horaire normal et la portion ne sont pas affectés.**



#### 6. Effacer tous les paramètres

Appuyez simultanément sur le bouton d'augmentation/diminution + / - pendant 6 secondes jusqu'à ce que la machine émette trois bips, toutes les icônes de l'écran s'allument alors, ce qui indique que la réinitialisation est terminée.





## NETTOYAGE ET ENTRETIEN

Il est recommandé de nettoyer régulièrement la mangeoire pour la santé des animaux domestiques.

Les pièces lavables sont les suivantes : couvercle, réservoir de nourriture, base du réservoir, bol en acier inoxydable et support de bol.

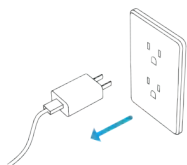
Nettoyez les autres pièces avec un chiffon sec.

### Nettoyez le couvercle du réservoir, le réservoir de nourriture, la base du réservoir.

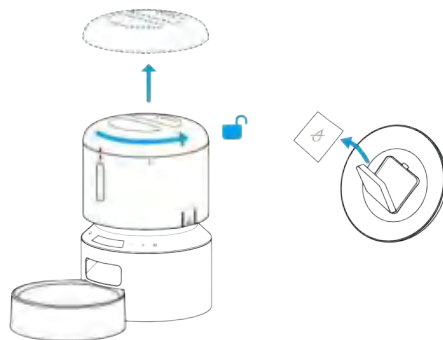
Avant de retirer le réservoir de nourriture, assurez-vous qu'il est vide au cas où des aliments se répandraient partout.



1. Débrancher l'alimentation avant le nettoyage.



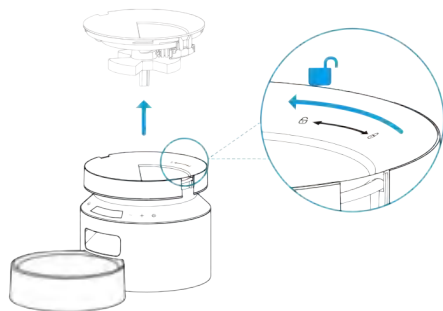
2. Tournez dans le sens inverse des aiguilles d'une montre pour retirer le couvercle et sortez le sac de dessiccant de la boîte intérieure sous le couverc.



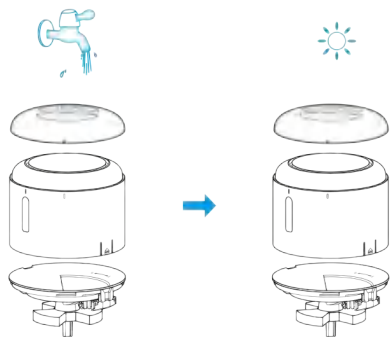
3. Tirez vers le haut le long des encoches pour retirer le réservoir.



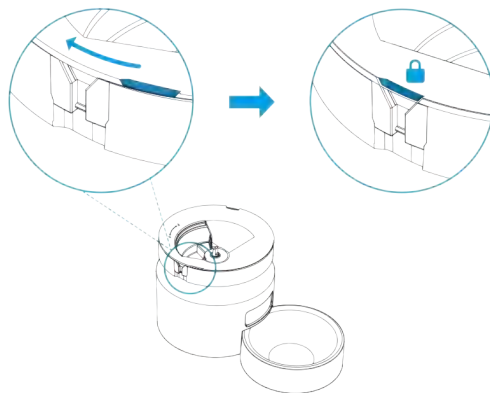
4. Tournez dans le sens inverse des aiguilles d'une montre pour retirer la base du réservoir.



5. Rincez soigneusement et séchez à l'air libre le couvercle, le réservoir et la base du réservoir.



6. Remettez-les en place sur la machine. Tournez la base du réservoir dans le sens des aiguilles d'une montre jusqu'à ce qu'elle se mette en place.

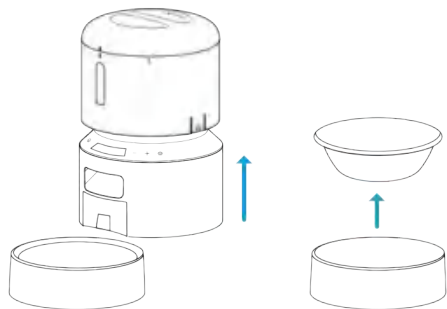


7. Installez ensuite le réservoir et le couvercle.

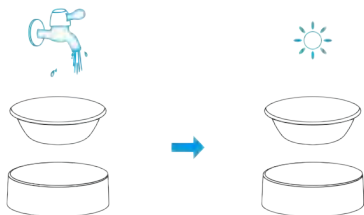


## Nettoyer le bol à nourriture avec un support

1. Appuyez sur le bol à nourriture avec le support pour les retirer.



2. Rincez-les et séchez-les à l'air libre avant de les remonter sur l'appareil.



## CARACTÉRISTIQUES

Modèle	PLAF005
Capacité	3 litres
Écran	Écran LED
Alimentation	Adaptateur secteur DC 5V ; 3 x piles alcalines D (non incluses).
Adaptateur secteur	Entrée AC100-240V, sortie DC 5V
Température de fonctionnement	0°C - 55°C / 32°F - 131°F
Dimensions	28 x 19 x 19 cm / 11 x 7,5 x 7,5 pouces
Poids net	1,5 kg / 3,3 lbs

Modèle	PLAF006
Capacité	5 litres
Écran	Écran LED
Alimentation	Adaptateur secteur DC 5V ; 3 x piles alcalines D (non incluses).
Adaptateur secteur	Entrée AC100-240V, sortie DC 5V
Température de fonctionnement	0°C - 55°C / 32°F - 131°F
Dimensions	34,6 x 19 x 19 cm / 13,6 x 7,5 x 7,5 pouces
Poids net	1,64 kg / 3,6 lbs

## DÉPANNAGE

Les réponses à ces questions devraient vous aider à résoudre la plupart des problèmes que vous pouvez rencontrer avec la mangeoire pour animaux. Si ce n'est pas le cas, veuillez contacter notre centre d'assistance à la clientèle à l'adresse [support.eu@petlibro.com](mailto:support.eu@petlibro.com).

Problème	Solution
"E1" s'affiche sur l'écran et clignote.	<ol style="list-style-type: none"> <li>1) Enlevez les blocages à la sortie des nourritures.</li> <li>2) Le détecteur de prévention des blocages doit être nettoyé.</li> </ol>
J'appuie sur les boutons mais ils ne fonctionnent pas.	Appuyez sur le bouton de déverrouillage et maintenez-le enfoncé pendant 3s pour accéder au mode de réglage.
J'oublie les réglages du repas.	<ol style="list-style-type: none"> <li>1) Le numéro des repas qui ont été définis s'affiche sur l'interface verrouillée. (Ne s'affiche pas s'il n'est pas défini)</li> <li>2) Dans l'état déverrouillé, appuyez sur le bouton d'augmentation/diminution pour choisir le numéro du repas que vous voulez vérifier, puis appuyez sur le bouton de réglage pour vérifier les paramètres.</li> </ol>
Les nourritures ne sortent pas.	<ol style="list-style-type: none"> <li>1) Assurez-vous que la nourriture dans le réservoir est sèche et que la taille de la nourriture est entre 2 et 15 mm / 0,07 et 0,6 pouce de diamètre.</li> <li>2) Retirez le réservoir de nourriture et la base du réservoir, vérifiez si la goulotte à l'intérieur est bloquée.</li> <li>3) Vérifiez si le détecteur de prévention des blocages à la sortie de nourritures est sale ou bloqué.</li> <li>4) Vérifiez si le niveau de la batterie est faible, si l'adaptateur secteur est connecté, si une coupure de courant se produit lorsque l'adaptateur secteur est connecté et si les batteries ne sont pas installées.</li> </ol>

Problème	Solution
L'affichage LED est éteint.	<ol style="list-style-type: none"> <li>1) Appuyez sur le bouton de déverrouillage et maintenez-le enfoncé pendant 3s pour déverrouiller l'écran.</li> <li>2) Vérifiez si l'adaptateur d'alimentation est branché.</li> <li>3) Contactez l'équipe d'assistance à l'adresse <a href="mailto:support.eu@petlibro.com">support.eu@petlibro.com</a> si l'écran ne s'allume toujours pas alors que l'appareil est bien branché sur le secteur.</li> </ol>
Je n'arrive pas à retirer le réservoir de nourriture.	Veuillez tirer vers le haut le long des encoches situées de chaque côté pour retirer le réservoir de nourriture.
La quantité de nourriture de chaque portion n'est pas la même.	Les premières portions peuvent varier, mais cela ne signifie pas qu'il est défectueux. Après environ 6 repas, elle devrait être presque égale.

## ESPAÑOL

### INDICACIONES DE SEGURIDAD

#### ¡ ADVERTENCIA!

- Disponga adecuadamente todos los embalajes. Algunos componentes están empaquetados en bolsas de plástico; estas bolsas podría causar asfixia; manténgalas fuera del alcance de los niños y las mascotas.
- No permita que los niños jueguen con, dentro o alrededor del alimentador.
- Para evitar daños, vigile atentamente a los niños cuando estén cerca del aparato.
- No permita que las mascotas que no puedan alcanzar la altura del aparato o que tengan alguna discapacidad utilicen el alimentador.
- NO sumerja la base en agua en ningún momento, ya que podría dañar los componentes electrónicos, como el panel de control.
- NO coloque ningún objeto desconocido en el aparato.
- No lo utilice al aire libre. Revise el funcionamiento con frecuencia para asegurarse de que la máquina funciona bien.
- No ponga alimentos húmedos, enlatados o mojados.
- No desmonte el aparato a no ser que se trate de los componentes indicados en este manual.
- NO utilice la fuente de agua para nada más que su uso original.
- Utilice únicamente los accesorios recomendados o vendidos por el fabricante. El uso de accesorios no recomendados o vendidos por el fabricante puede causar una situación insegura. NO modifique el aparato.
- Desenchufe siempre el aparato cuando no lo utilice o antes de limpiarlo.
- No tire nunca el cable de electricidad para desconectar el enchufe de la pared.

- Si el enchufe de este aparato se moja, desconecte la corriente del enchufe de la pared. No intente desenchufar.
- Revise el dispositivo después de la instalación. Desenchufe si hay agua en el cable o en el enchufe
- Para evitar tropiezos, coloque siempre el cable eléctrico fuera del camino peatonal.

## ATENCIÓN

- NO permita que las mascotas mastiquen o se traguen ninguna pieza. Si le preocupa el cable eléctrico, compre un conducto para el cable (un protector de plástico duro) en cualquier ferretería para proteger el cable eléctrico.
- Si es necesario, se debe utilizar un cable de extensión.
- NO instale ni almacene el aparato en donde expuesta a las temperaturas bajo 4°C / 40°F.
- Utilice las baterías alcalinas D para recargarlo. NO utilice las baterías recargables.
- Revise las baterías regularmente. Antes de marcharse por un tiempo largo, sustituya siempre las baterías por otras nuevas.
- No levante el alimentador por la tapa, el tanque o la bandeja de comida. Levántelo y llévelo con ambas manos y la base, mientras manténgase en posición vertical.
- Sólo sirve para comida seca, con un tamaño de croqueta que varía entre 2-15mm / 0,07-0,6 pulgadas de diámetro. Las croquetas más grandes podrían atascarse en la salida del alimento.
- No meta los dedos en la salida del alimento ni toquen el rotor.
- Lea y observe todos los consejos importantes que aparecen en el alimentador para mascotas y en el embalaje.

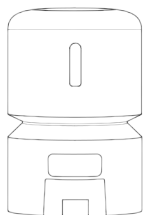
## GARANTÍA

- Garantía de un año
- Apoyo del tiempo de vida Para obtener indicaciones sobre el uso del producto y la

ampliación de la garantía, póngase en contacto con el responsable de posventa a través del correo electrónico: **support@petlibro.com**

Si tiene alguna pregunta relacionada con los pedidos, póngase en contacto con el vendedor a través de la plataforma de compras, por favor.

## DENTRO DE LA CAJA



Alimentador Automático

X1



Cuenco con Soporte

X1



Adaptador de Energía

X1



Material de Guía del Usuario

X1

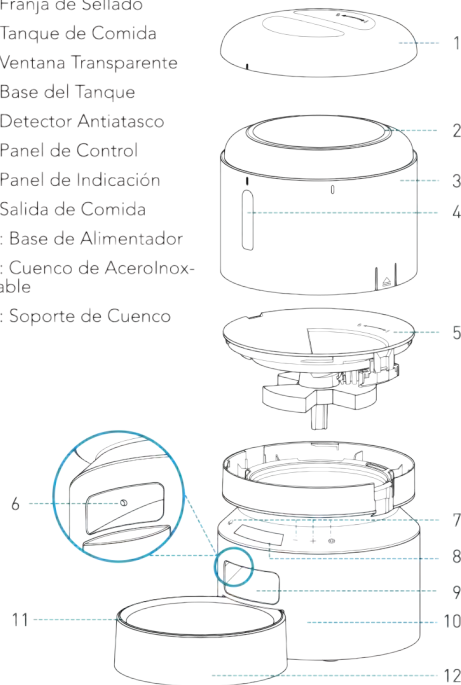


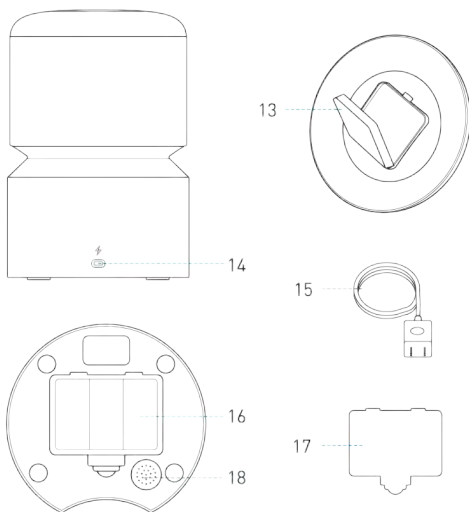
Bolsa Desecante

X1

## VISIÓN GENERAL DEL PRODUCTO

- 1: Tapa
- 2: Franja de Sellado
- 3: Tanque de Comida
- 4: Ventana Transparente
- 5: Base del Tanque
- 6: Detector Antiatasco
- 7: Panel de Control
- 8: Panel de Indicación
- 9: Salida de Comida
- 10: Base de Alimentador
- 11: Cuenco de AceroInoxidable
- 12: Soporte de Cuenco





- 13: Caja de Desecante
- 14: Conector de Energía
- 15: Adaptador de Energía
- 16: Compartimento de la Batería
- 17: Compartimento de la Tapa
- 18: Altavoz

## VISIÓN GENERAL DE BOTONES Y PANTALLA



### **Botón de Desbloqueo**

Mantenga pulsado durante 3s para desbloquear otros botones y la pantalla.

### **Botón de Alimentación Manual**

Pulse 1-5 veces para distribuir 1-5 porciones de comida.

### **Botón de Registro**

Pulse una vez y seescuchará un pitido, grabe su mensaje (máximo 10s), luego pulse de nuevo para guardar y seescuchará un doble pitido.

### **Botón de Disminuir el Número**

(Estado de desbloqueo)Pulse para cambiar el número de comida.

(Estado de ajuste)Pulse para disminuir el número.

### **Botón de Aumentar el Número**

(Estado de desbloqueo)Pulse para cambiar el número de comida.

(Estado de ajuste)Pulse para aumentar el número.

### **Botón de Ajuste**

(Ajuste del estado) Pulse para confirmar y entrar en el siguiente paso. Mantenga pulsado durante 3s para volver a la interfaz bloqueada.





### Icono de Ajuste del Tiempo

Listo para el ajuste de la hora actual.

### Icono de Volumen de Batería

Se ilumina cuando las baterías se encuentran instaladas. Se vuelve rojo y parpadea cuando el volumen de las baterías es bajo y es necesario cambiarlas.

### Icono de Bloqueo

Se ilumina cuando otros botones están bloqueados.

### Icono de Registro

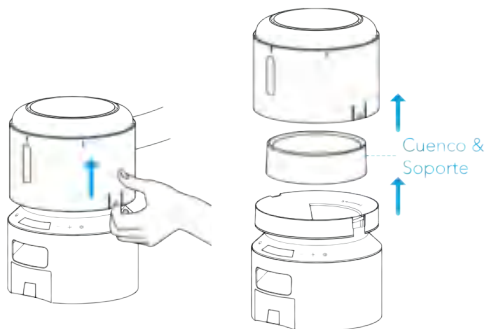
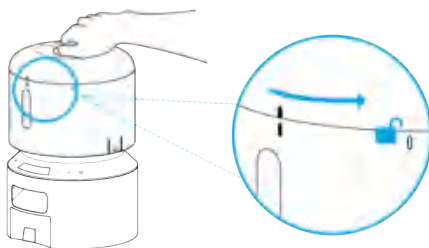
Listo para configurar los horarios de llamada de comida.



## CÓMO UTILIZARLO

### Montaje y Preparación para la Instalación

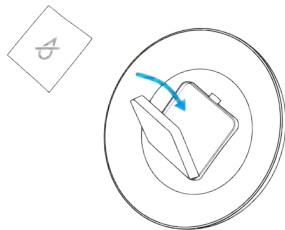
1. Extraiga el cuenco de comida dentro del tanque de comida. Gire la tapa en sentido antihorario para extraerla. Tire hacia arriba a lo largo de las muescas de ambos lados para extraer el tanque de comida.



2. Coloque la bolsa desecante en la caja interior bajo la tapa.

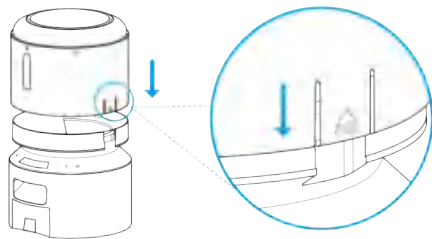
**Notas:**

- Se recomienda cambiar la bolsa desecante cada 15 días para evitar la aparición de moho.
- Retire la bolsa desecante antes de limpiar la tapa.



3. Instale el Tanque de Alimentos.

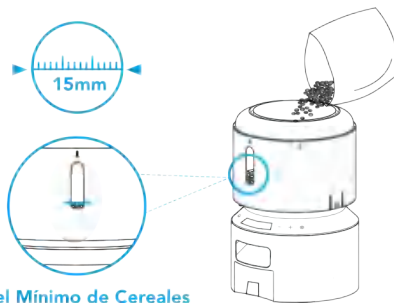
Alinee el tanque de comida con las muescas de ambos lados de la base del tanque.



4. Añada comida seca para mascotas en el tanque de comida.

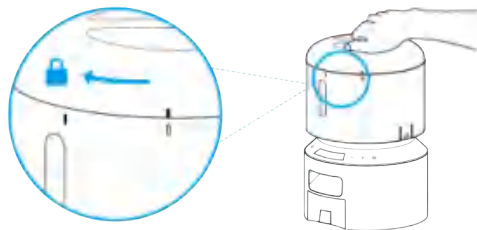
**Notas:**

- Para evitar que la comida se dispense, añada suficiente comida hasta el nivel visible.
- Tamaño recomendado de las croquetas: 2-15mm/0,07-0,6 pulgadas de diámetro.
- No utilice comida enlatada, húmeda o mojada.



5. Coloque la tapa de nuevo.

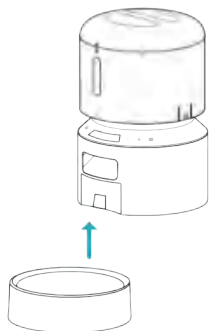
Para encajarla, gire la tapa en el sentido antihorario desde el signo de rotación de la derecha hasta la izquierda.



#### 6. Instalar el cuenco de comida.

Coloque el cuenco en las muescas debajo de la base del alimentador.

**Nota: Antes de desplazar el alimentador, presione el cuenco hacia abajo para sacarlo de la base del alimentador. Si hay cereales en el cuenco, tómelos con cuidado para evitar que se derramen. Sostenga la base y no otras partes cuando eleve el alimentador.**



#### 7. Conectar la Electricidad

1) Conecte el adaptador de corriente de 5V a un enchufe el cable USB al puerto USB de la parte posterior del alimentador.

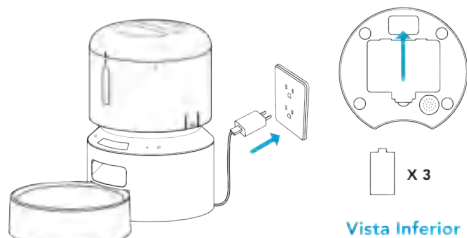
2) La pantalla LED se iluminará automáticamente para indicar que el alimentador está encendido.

3) Abra el compartimento de las baterías en la parte inferior del alimentador. Instale tres pilas alcalinas D (no incluidas) en caso de que se produzca un corte de energía. Asegúrese de que las baterías coincidan con los polos positivo y negativo con las marcas en el compartimento.

4) Una vez instaladas las baterías, el icono de la batería se iluminará en la pantalla; cuando el icono se vuelva rojo y parpadea, esto significa que el nivel de la batería es bajo y que hay que cambiarla.

#### Nota:

- Las baterías no están incluidas.
- Para evitar una pagón repentino y que la alimentación de su mascota se vea afectada, no utilice las baterías como única fuente de energía, las baterías sólo puede utilizarse en caso de emergencia.
- Para evitar la fuga de las baterías, quítelas si no utilizará el dispositivo durante algún tiempo.



## Ajuste de Programa

### 1. Ajustar la Hora Actual

Preste atención al tabla de 12 horas AM/PM. La hora cambiará de AM a PM automáticamente según su configuración.

01:00 AM	01:00 PM
02:00 AM	02:00 PM
03:00 AM	03:00 PM
04:00 AM	04:00 PM
05:00 AM	05:00 PM
06:00 AM	06:00 PM
07:00 AM	07:00 PM
08:00 AM	08:00 PM
09:00 AM	09:00 PM
10:00 AM	10:00 PM
11:00 AM	11:00 PM
12:00 PM	12:00 AM


1) Mantenga el botón de Desbloqueo  durante 3s para desbloquear otros botones y la pantalla, the el Icono de Ajuste de la Hora Actual  en la pantalla parpadea, lo que indica que se entra en el modo de ajuste.



2) Pulse el botón de Ajuste , los dígitos de la hora parpadean.



3) Utilice el botón de Aumentar/Disminuir  $+/-$  para ajustar la hora actual y pulse el botón de Ajuste  para guardar y pasar al ajuste de los minutos.

4) El dígito de las decenas por minutos parpadea, pulse el botón de Aumentar/Disminuir  $+/-$  para guardar, ajuste el dígito de las unidades y pulse el botón de Ajuste  para guardar. El ajuste de la hora actual está terminado.



**Nota: Los botones de control y la pantalla se bloquearán automáticamente después de 1 minuto de espera.**

### 2. Ajustar la hora y la porción de las comidas Configure la hora de la primera comida



1) Una vez ajustada la hora actual, el alimentador entra en el modo de ajuste del plan de alimentación. El icono **1** parpadeará, indicando que está listo para los ajustes de la primera comida.



2) Pulse el botón de Ajuste  para ajustar la hora de alimentación de la primera comida. Los dígitos de la hora parpadearán.



3) Pulse el botón de Aumentar/Disminuir  $+/-$  para ajustar la hora. Pulse el botón de Ajuste  para guardar y pasar al ajuste de minutos.



Los dígitos de las decenas de minutos parpadean, pulse el botón de Aumentar/Disminuir  $+/-$  para ajustar el dígito de las decenas y pulse el botón de Ajuste  para guardar y luego ajuste el dígito de unidades y pulse el botón de Ajuste  para guardar.



### Ajustar la porción de la primera comida

Una vez que la hora de la primera comida se ajusta y se guarda, el alimentador entra en el modo de ajuste de porciones. La pantalla mostrará P-XX, que indica las porciones.



1) Pulse el botón de Aumentar/Disminuir  $+/-$  para ajustar la porción (Máxima 50), ajuste el dígito de decenas y pulse el botón de Ajuste  para guardar y luego ajuste el dígito de unidades y pulse el botón de Ajuste  para guardar.





2) Repita los pasos anteriores para configurar la hora y la porción de otras comidas si es necesario. El alimentador es capaz de realizar hasta 6 comidas planificadas al día.



**Nota: La hora de alimentación por defecto de las cuatro primeras comidas es 6:00 AM, 12:00 PM, 6:00 PM, 12:00 AM, y la hora de la quinta y sexta comida es la 1:00 AM; La porción por defecto es 0. Puede cambiar el pre-ajuste.**

### 3. Registrar una llamada de comida

- 1) En el estado desbloqueado, pulse el botón de Registrar  una vez, se escuchará un pitido.
- 2) Hable y registre su mensaje (El tiempo máximo de grabación es de 10 segundos). Pulse de nuevo el botón de Registrar  para terminar, se escucharán dos pitidos indicando que la grabación se ha guardado.
- 3) La grabación se repetirá automáticamente una vez para que pueda comprobar la voz que acabas de grabar.




#### Nota:


- La repetición por defecto de la llamada de comida es de 2 veces, y la llamada de comida se realizará cuando se acabe el tiempo de alimentación.
- La llamada de comida no se reproduce durante la alimentación manual, sólo se reproduce en cada comida designada.




#### 4. Configurar las horas de reproducción de la llamada de comida

Las horas de la llamada de comida pueden ajustarse de 0 a 5. Si el tiempo se ajusta a cero, la llamada de comida no se reproducirá durante la comida correspondiente.

1) En el estado desbloqueado, mantenga pulsado el botón de grabación  durante 3s, el icono de grabación  está encendido y el icono de comida  sigue parpadeando.

2) Pulse el botón de Aumentar/Disminuir  $+/-$  para elegir el número de comidas que desea ajustar y luego pulse el botón de ajuste  una vez para guardar.




3) La pantalla mostrará F-XX, que significa tiempos de reproducción. Pulse el botón de Aumentar/Disminuir  $+/-$  para configurar los horarios de reproducción de la llamada de comida, luego pulse el botón de Ajuste  para guardar.



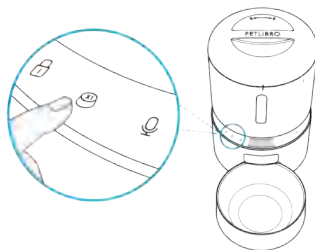
4) Repita los pasos anteriores para ajustar el número de veces de la llamada de comida para otras comidas.

**Nota: Una vez realizados todos los ajustes, mantenga pulsado el botón de ajuste durante 3 segundos para volver a la interfaz bloqueada.**

#### 5. Alimentar manualmente a su mascota

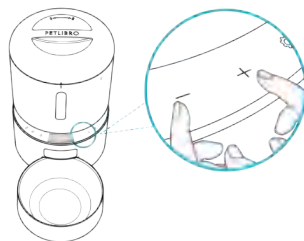
En el estado desbloqueado, pulse el botón de alimentación manual  una vez, el alimentador distribuye una porción de comida. Puede pulsar el botón de alimentación manual como máximo 5 veces, y el alimentador distribuirá 5 porciones de comida.

**Nota: El plan y la porción normales no se ven afectados.**



#### 6. Borrar todos los ajustes

Pulse el botón de Aumentar/Disminuir  $+/-$  simultáneamente durante 6 segundos hasta que la máquina emita tres pitidos, todos los iconos de la pantalla se iluminarán, indicando que el reajuste se ha realizado.



## LIMPIEZA Y MANTENIMIENTO

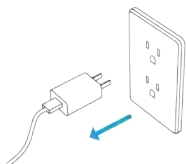
Se recomienda limpiar el alimentador regularmente para la salud de las mascotas. Las piezas lavables son las siguientes: tapa, tanque de comida, base del tanque, cuenco de acero inoxidable y soporte del cuenco. Limpie las otras partes con un trapo seco.

### Limpie la tapa del tanque, el tanque de comida y la base del tanque

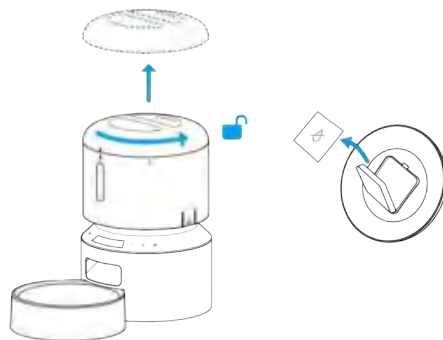
Antes de extraer el tanque de comida, asegúrese de que el tanque de comida está vacío por si se derrama comida por todas partes.



1. Desconecte la electricidad antes de la limpieza.



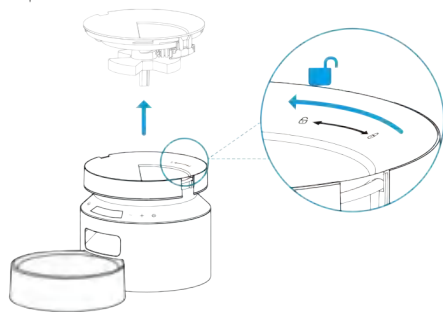
2. Gire en el sentido antihorario para quitar la tapa y saque la bolsa desecante de la caja interior debajo de la tapa.



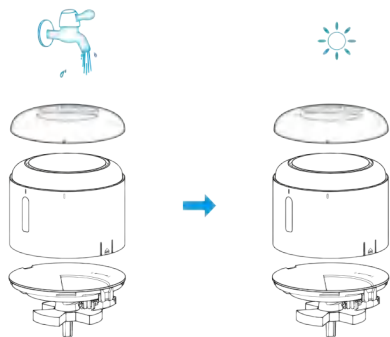
3. Tire hacia arriba a lo largo de las muescas para extraer el tanque.



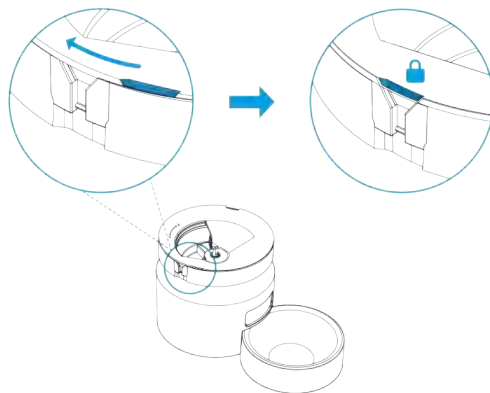
4. Gire en el sentido antihorario para retirar la base del tanque.



5. Enjuague y seque la tapa, el tanque y la base del tanque.



6. Recolóquelos en la máquina. Gire la base del tanque en el sentido antihorario hasta que encaje en su sitio.



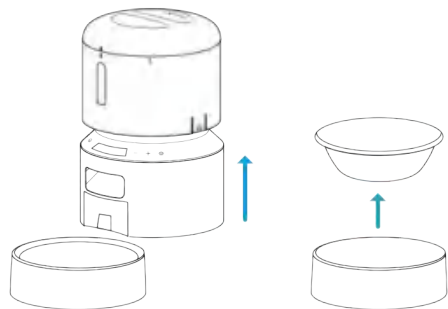
7. Seguidamente, instale el tanque y la tapa.



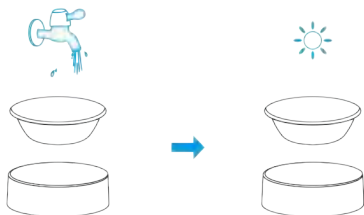


## Limpiar el cuenco de comida

1. Presione el cuenco de comida con el soporte para extraerlos.



2. Enjuágalos y sécalos bien al aire antes de recolocarlos en la máquina.



## ESPECIFICACIONES

Modelo	PLAF005
Capacidad	3 litros
Pantalla	LED Pantalla
Energía	DC 5V adaptador de energía; 3 x baterías alcalinas D (no incluidas)
Adaptador de Energía	AC100-240V entrada, DC 5V salida
Temperatura de Funcionamiento	0°C - 55°C / 32°F - 131°F
Dimensiones	28 x 19 x 19 cm / 11 x 7.5 x 7.5 in
Peso Neto	1.5 kg / 3.3 lbs

Modelo	PLAF006
Capacidad	5 litros
Pantalla	LED Pantalla
Energía	DC 5V adaptador de energía; 3 x baterías alcalinas D (no incluidas)
Adaptador de Energía	AC100-240V entrada, DC 5V salida
Temperatura de Funcionamiento	0°C - 55°C / 32°F - 131°F
Dimensiones	34.6 x 19 x 19 cm / 13.6 x 7.5 x 7.5 in
Peso Neto	1.64kg / 3.6lbs

## SOLUCIÓN DE PROBLEMAS

Las respuestas a estas preguntas deberían ayudarle a resolver la mayoría de los problemas relacionados con el producto. Si no lo solucionan, póngase en contacto con nuestro Centro de Atención al Cliente a través de [support@petlibro.com](mailto:support@petlibro.com)

Problema	Solución
"E1" aparece y parpadea sobre la pantalla.	1) Quite los atascos en la salida de los alimentos. 2) El detector antiobstrucción necesita ser limpiado.
Pulso los botones pero no funcionan.	Mantenga pulsado el Botón de Desbloqueo durante 3s para entrar en el modo de ajuste.
Me olvidé de los ajustes de la comida.	1) El número de las comidas que se han configurado se mostrará en la interfaz bloqueada. (No se muestra si no se ha configurado) 2) En el modo de desbloqueo, pulse el botón de Aumentar/Disminuir para elegir el número de comidas que desea verificar, luego pulse el botón de ajuste para verificar los ajustes.
La comida no sale.	1) Por favor, asegúrese de que la comida en el tanque está seca, y el tamaño de la comida está dentro de 2-15 mm / 0,07-0,6 pulgadas de diámetro. 2) Retire el tanque y la base de alimentos, revise si el conducto interior está bloqueado. 3) Compruebe si el detector antiobstrucción de la salida de alimentos está sucio o bloqueado.

Problema	Solución
La comida no sale.	4) Compruebe para ver si el volumen de la batería es bajo, si el adaptador de energía está conectado o si se produce un corte de la electricidad cuando el adaptador de energía está conectado y las baterías no están instaladas.
La pantalla LED está apagada.	1) Mantenga pulsado el Botón de Desbloqueo durante 3s para desbloquear la pantalla. 2) Compruebe si el adaptador de energía está conectado. 3) Póngase en contacto con el equipo de apoyo en <a href="mailto:support@petlibro.com">support@petlibro.com</a> si la pantalla sigue sin encenderse cuando el aparato está bien conectado a la corriente.
No puedo remover el tanque de comida.	Para extraer el tanque de comida, tire hacia arriba por las muescas situadas a ambos lados.
La cantidad de comida de cada porción no es la misma.	Las primeras porciones de comida podrían variar, pero esto no significa que esté estropeado. Después de unas 6 veces de alimentación, debería ser casi igual.