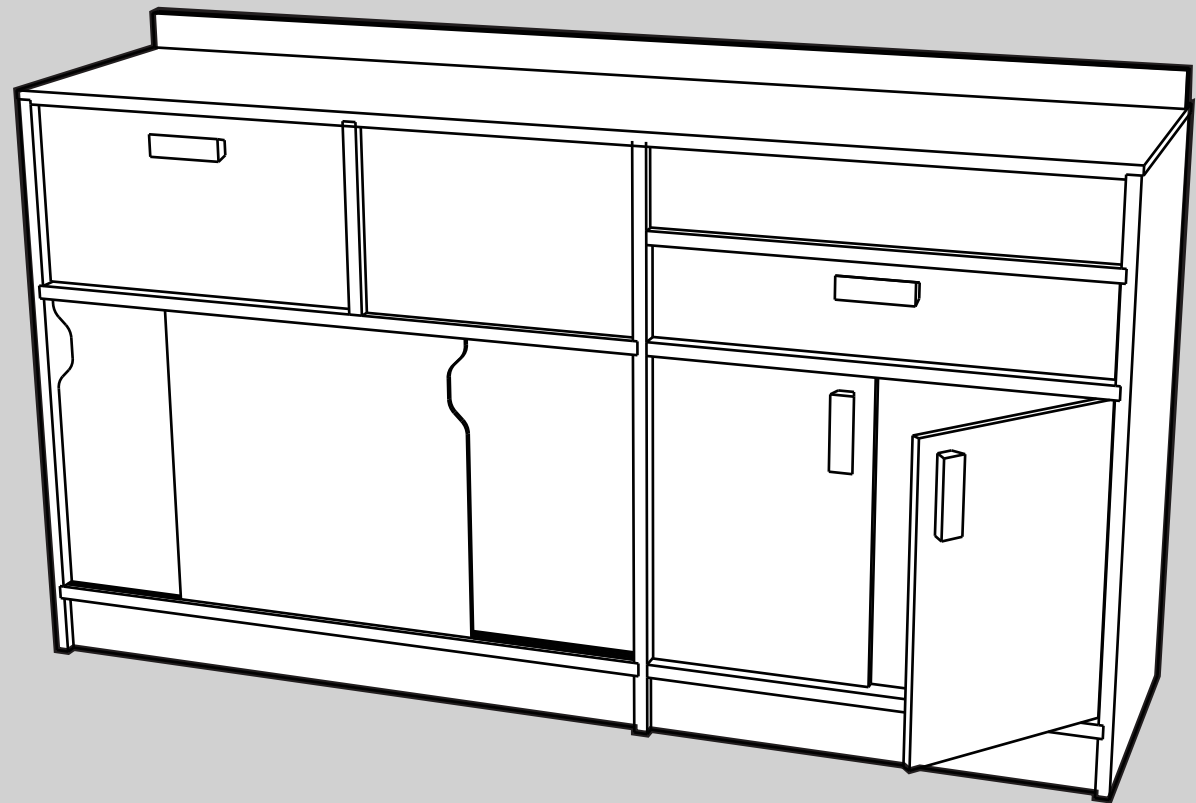


# FAST ASSEMBLY GUIDE

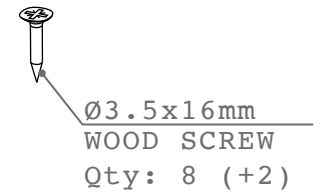
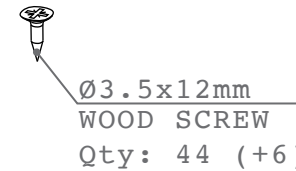
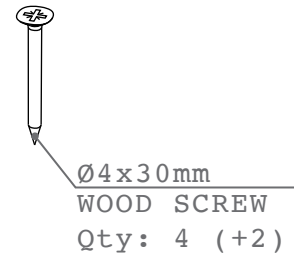
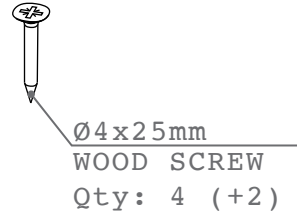
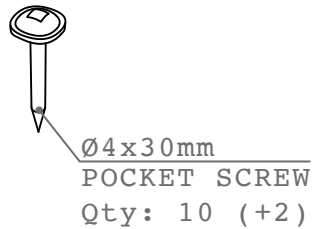
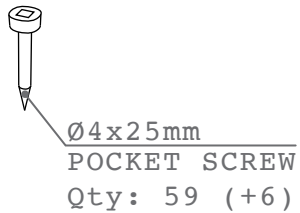
**CONTOUR**  
CAMPERVAN FURNITURE



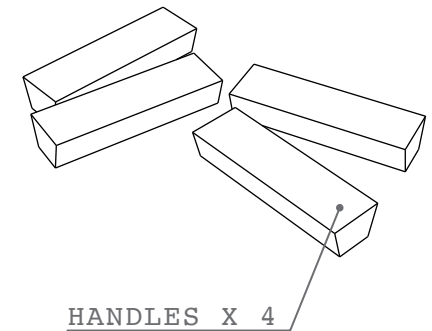
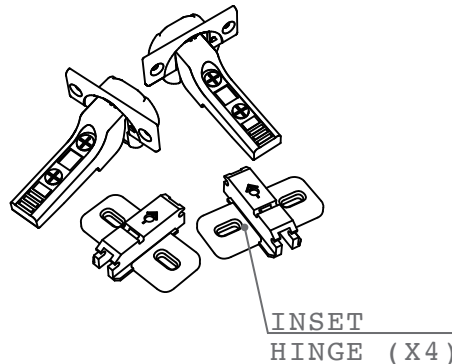
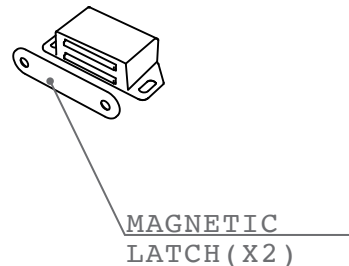
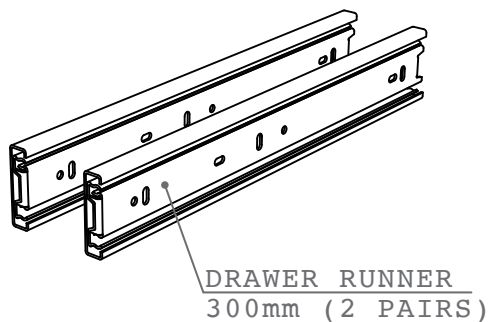
# BEFORE YOU START

- YOU WILL NEED: A DRILL/DRIVER, PZ2 & PZ1 DRIVER BITS, A JIGSAW IF SCRIBING AROUND A WHEEL ARCH, WOOD GLUE. A RULER AND SET SQUARE ARE USEFUL TOO.
- FIND A CLEAN LEVEL SURFACE TO ASSEMBLE THE KITCHEN ON.
- CHECK THE SETTINGS ON YOUR DRILL, TOO MUCH TORQUE WILL DRIVE SCREWS ALL THE WAY THROUGH THE PLYWOOD!
- ASK A FRIEND TO HELP HOLD PARTS WHILST YOU SCREW THEM TOGETHER.
- SAND, PAINT AND OIL THE PARTS BEFORE ASSEMBLY FOR BEST RESULTS.
- POCKET SCREWS USE THE LONG NO.2 SQUARE BIT PROVIDED.
- MAKE SURE ALL PARTS ARE SLOTTED TOGETHER TIGHTLY BEFORE SCREWING, NO GAPS!

## FIXINGS

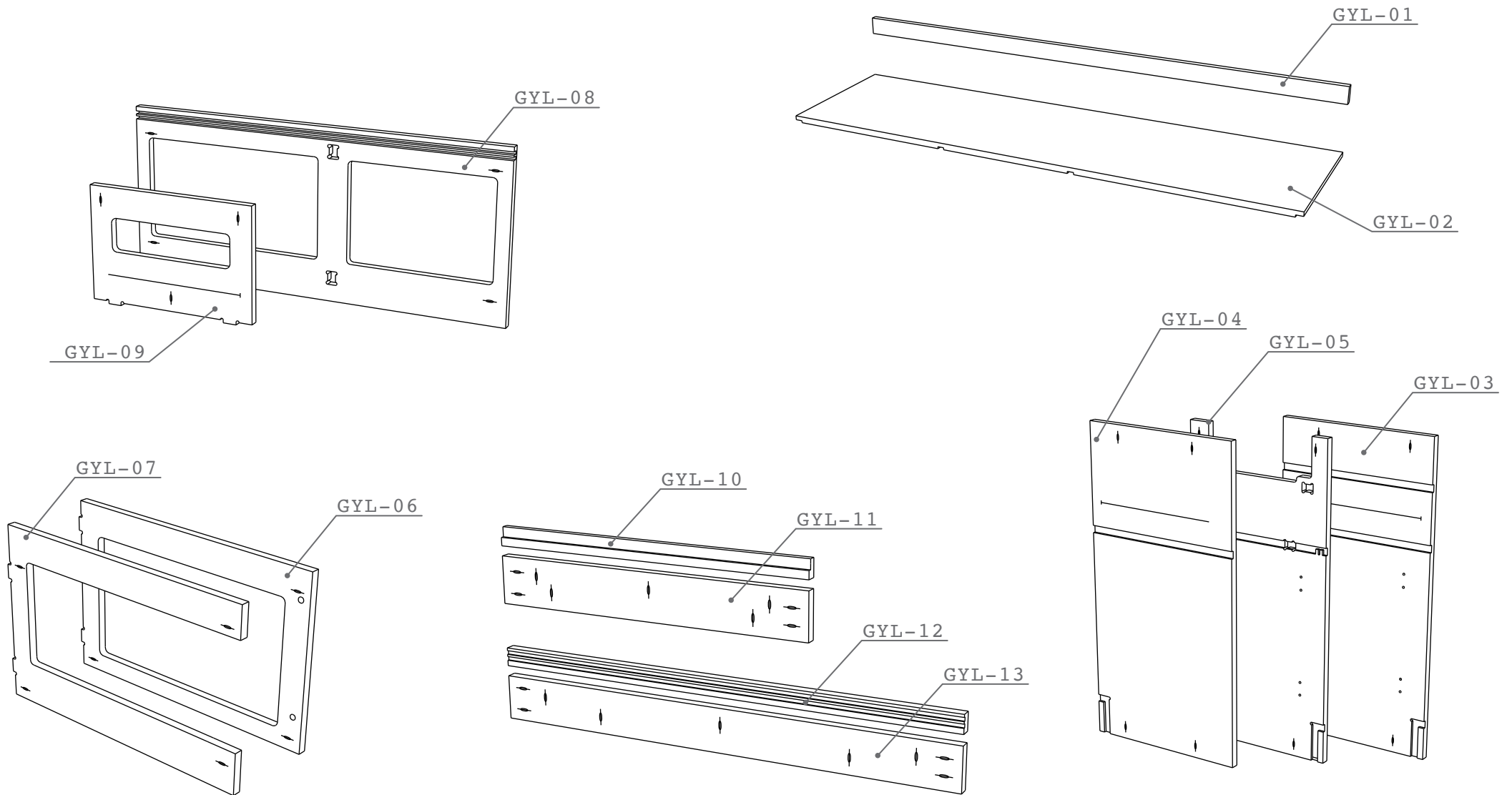


## HARDWARE



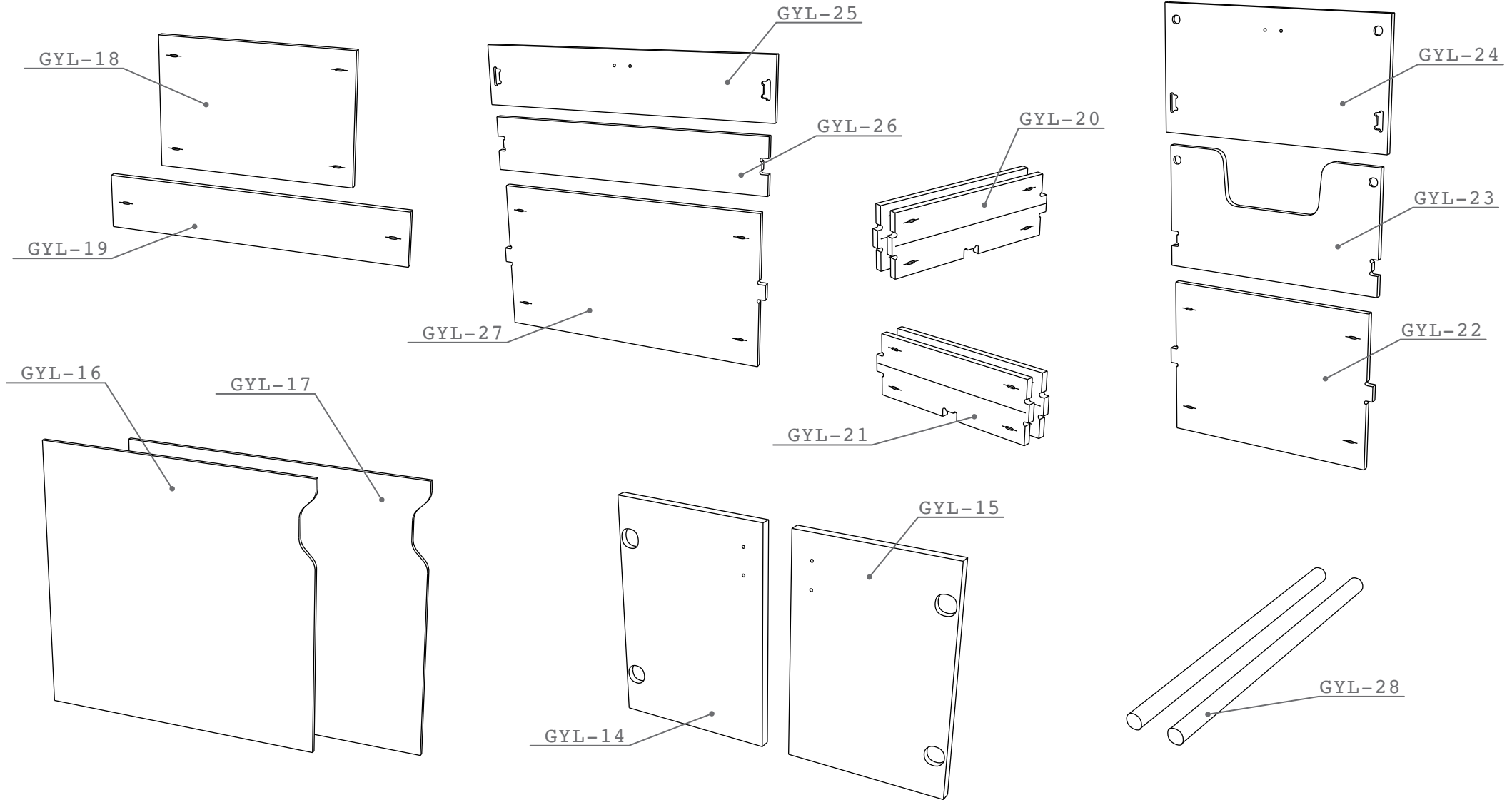
## PARTS LIST

# FRAME



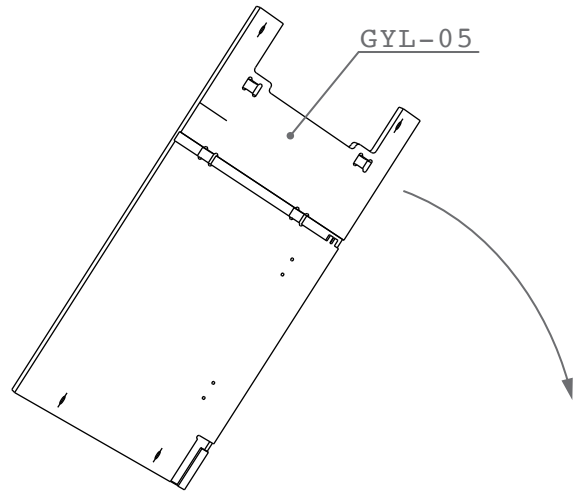
## PARTS LIST

# DOORS, DRAWERS & INFILLS

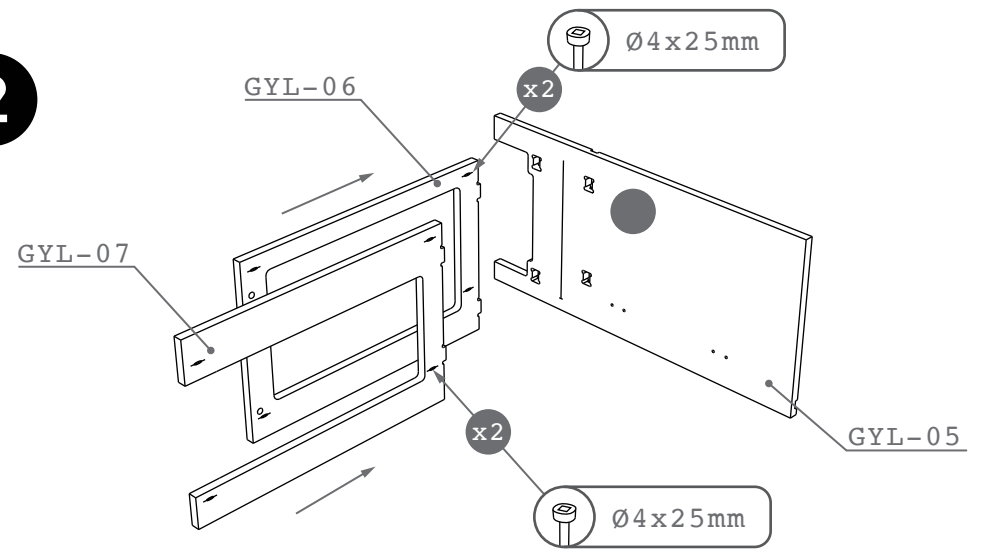


## PARTS LIST

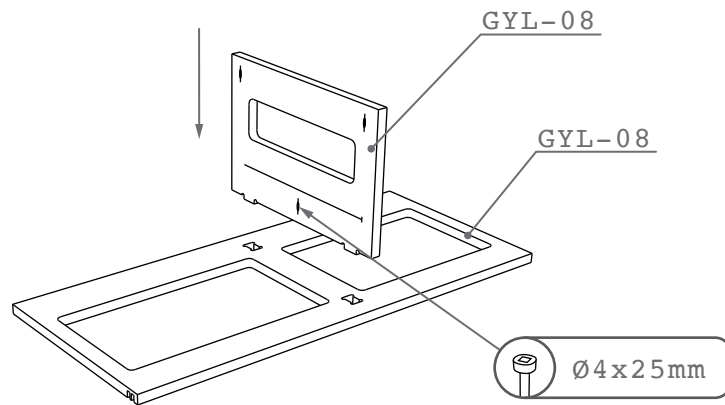
1



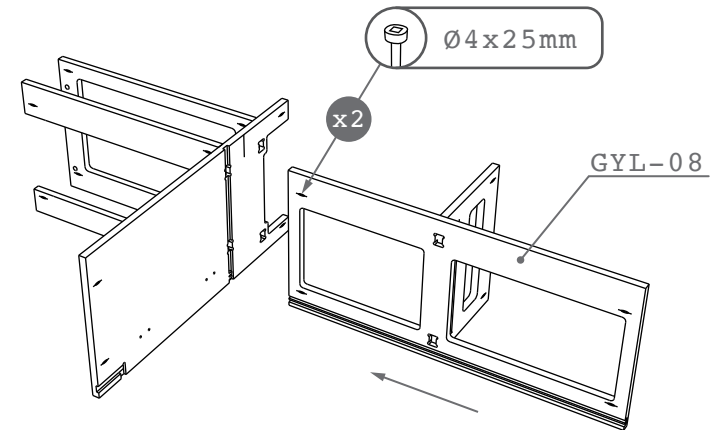
2



3

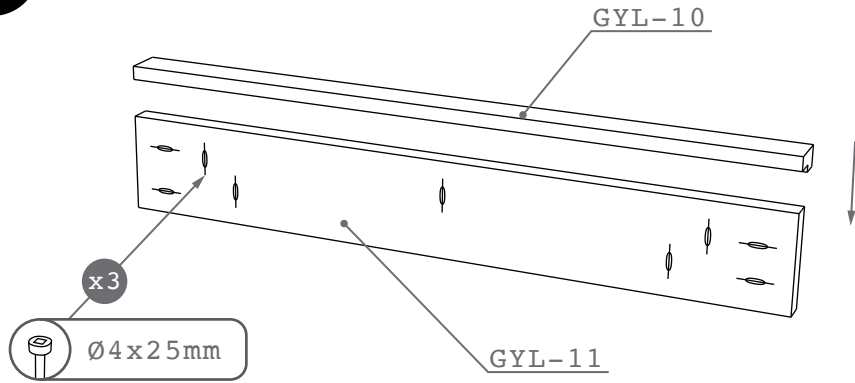


4

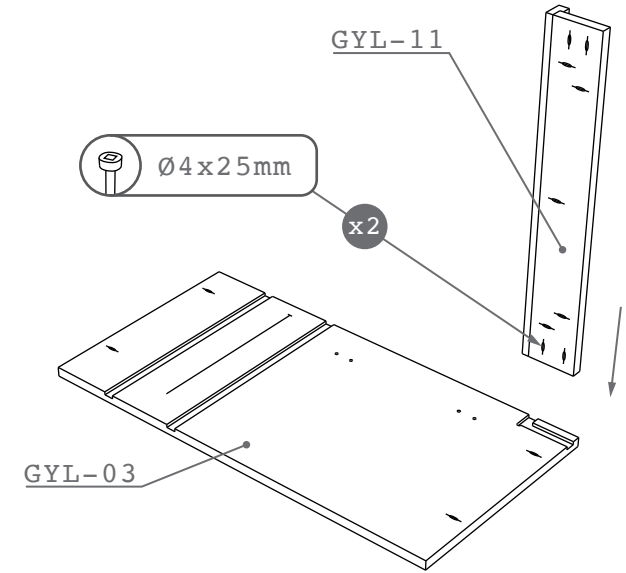


# GHY **FRAME**

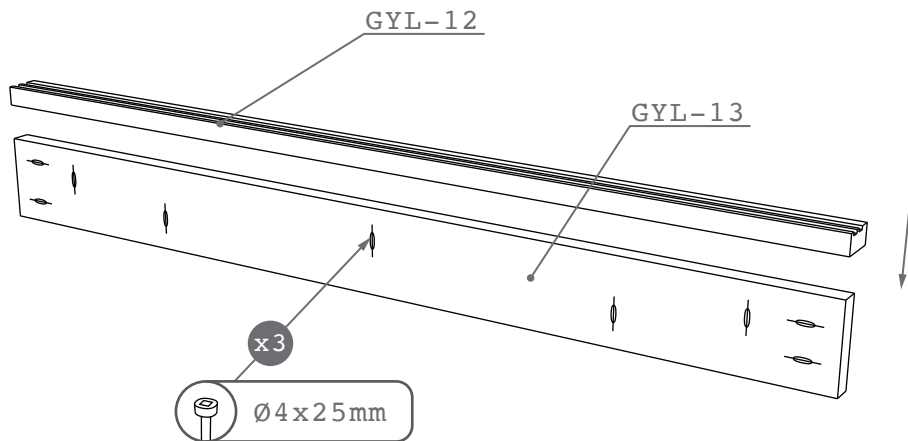
5



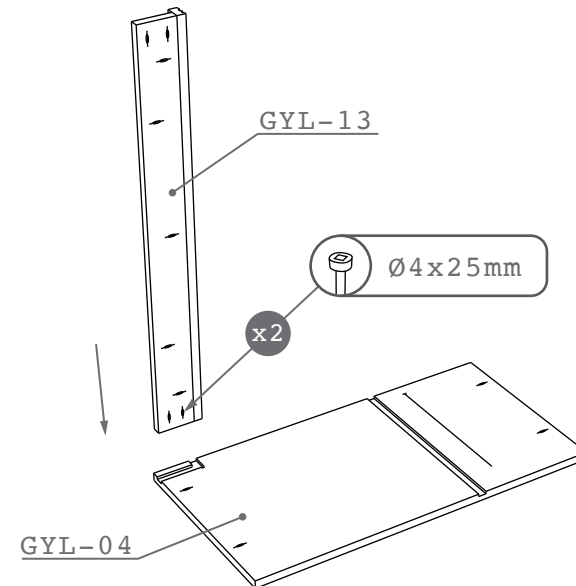
6



7

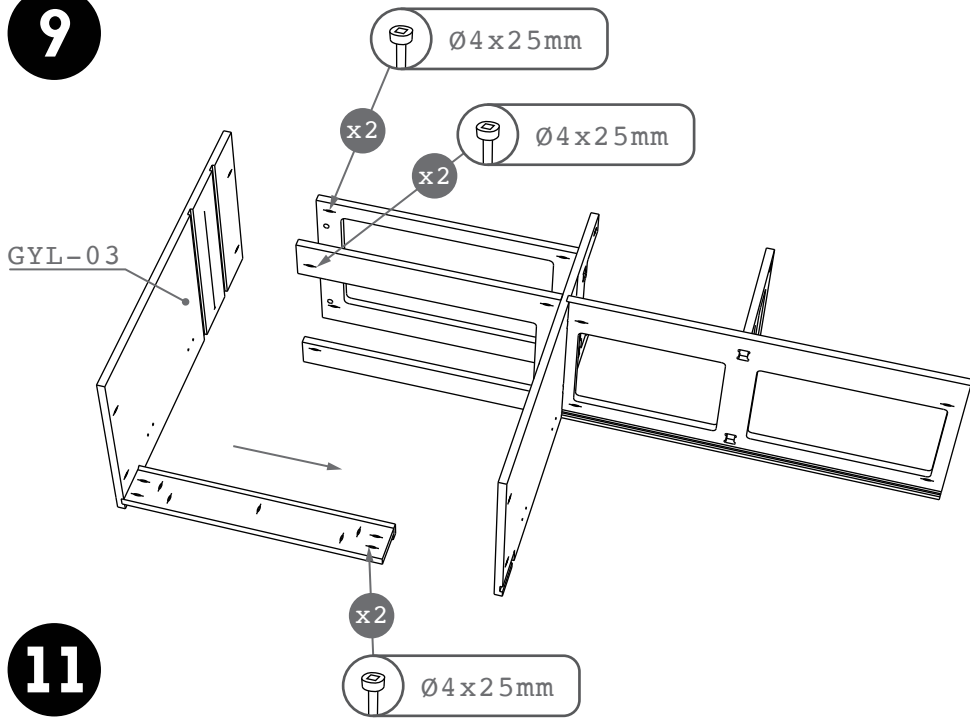


8

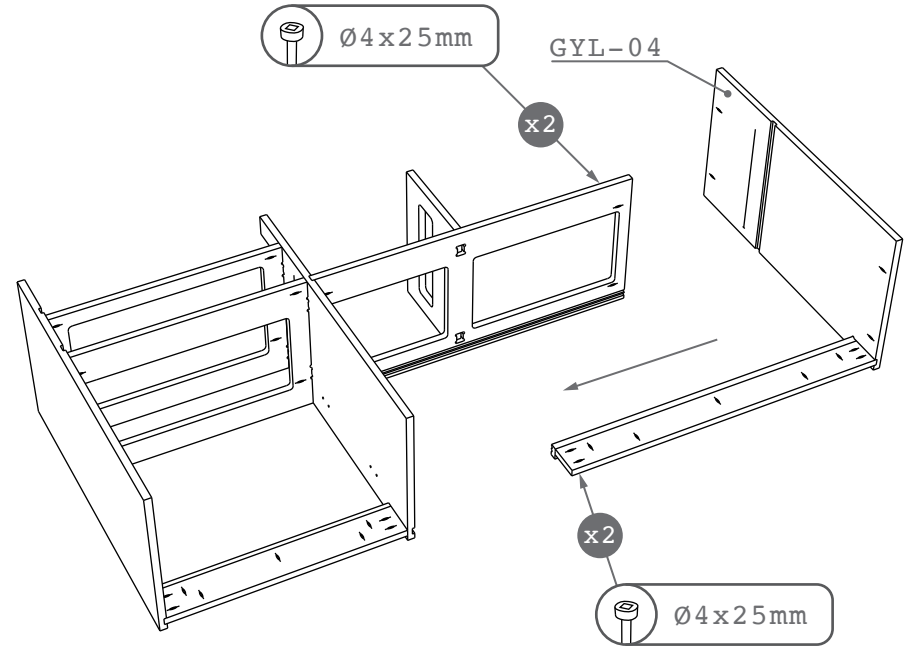


# GHY4 f FRAME

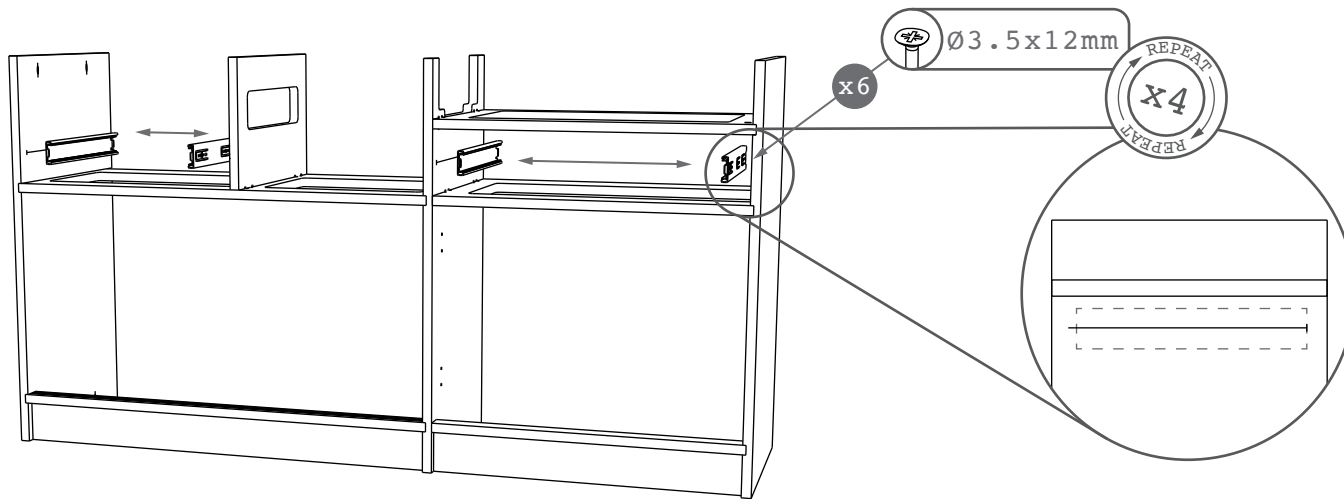
9



10

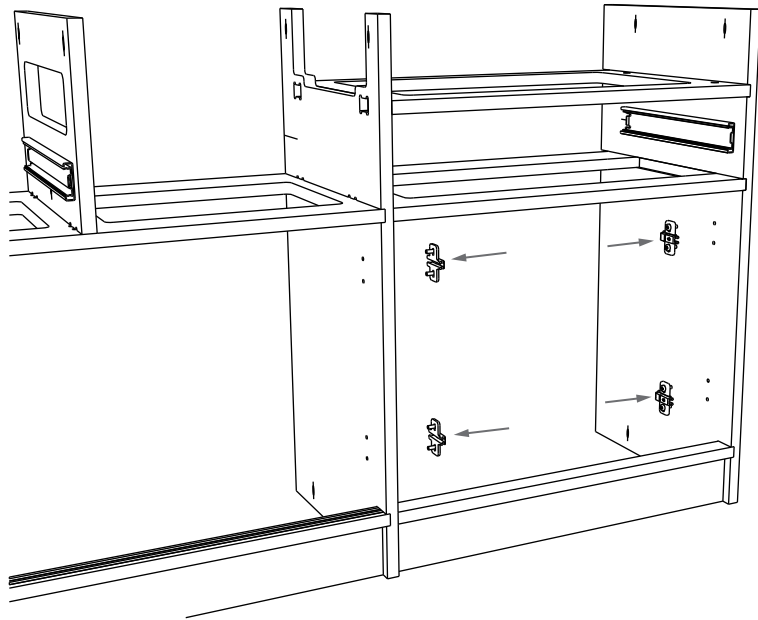


11

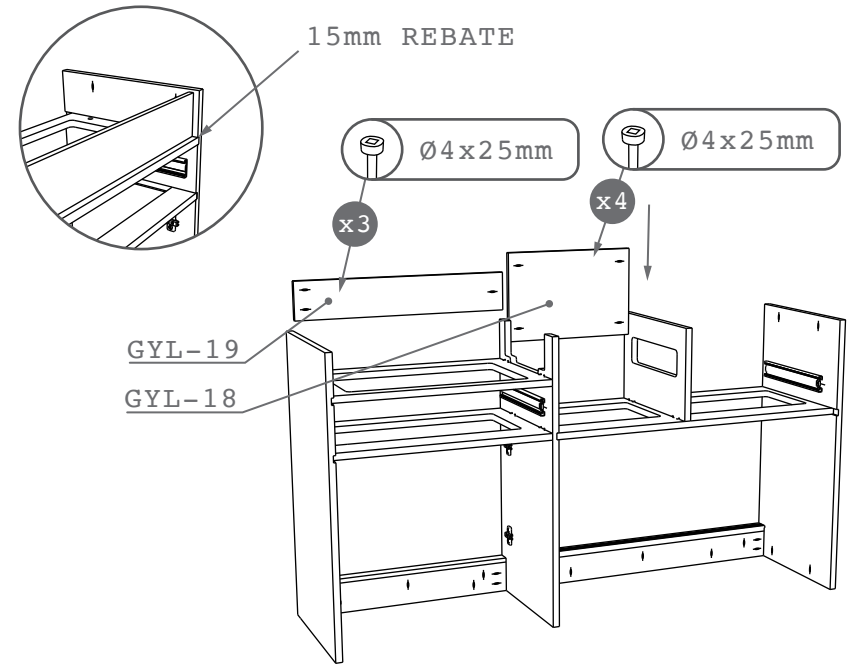


# GHY4 FRAME

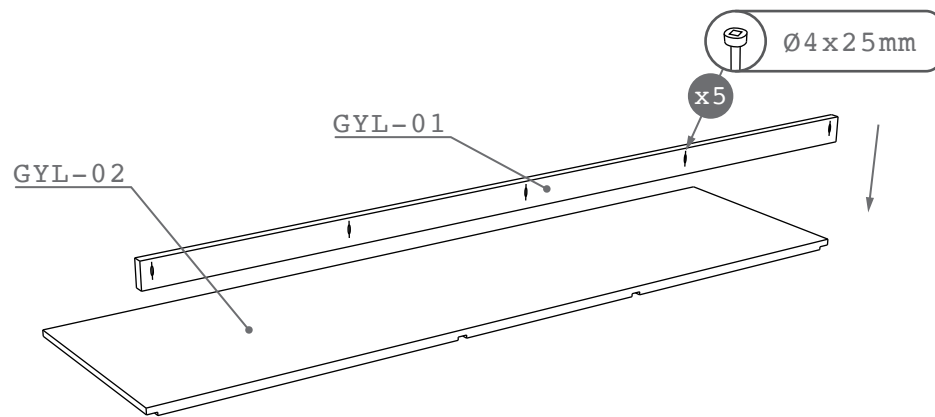
12



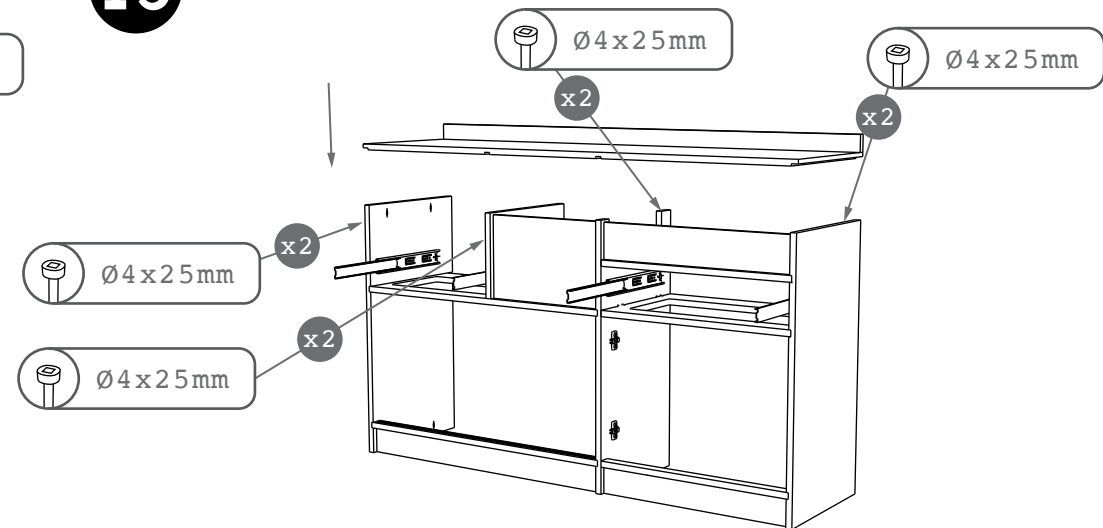
13



14

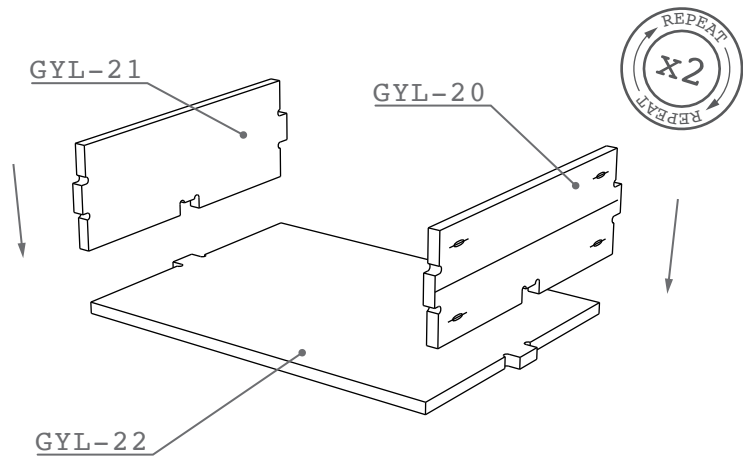


15

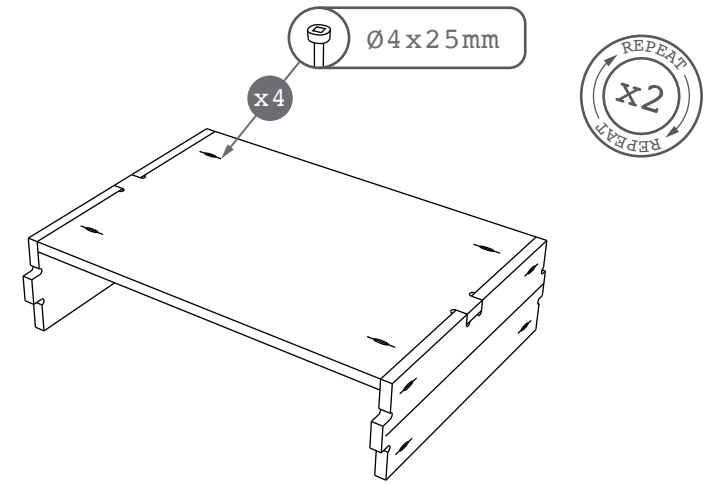




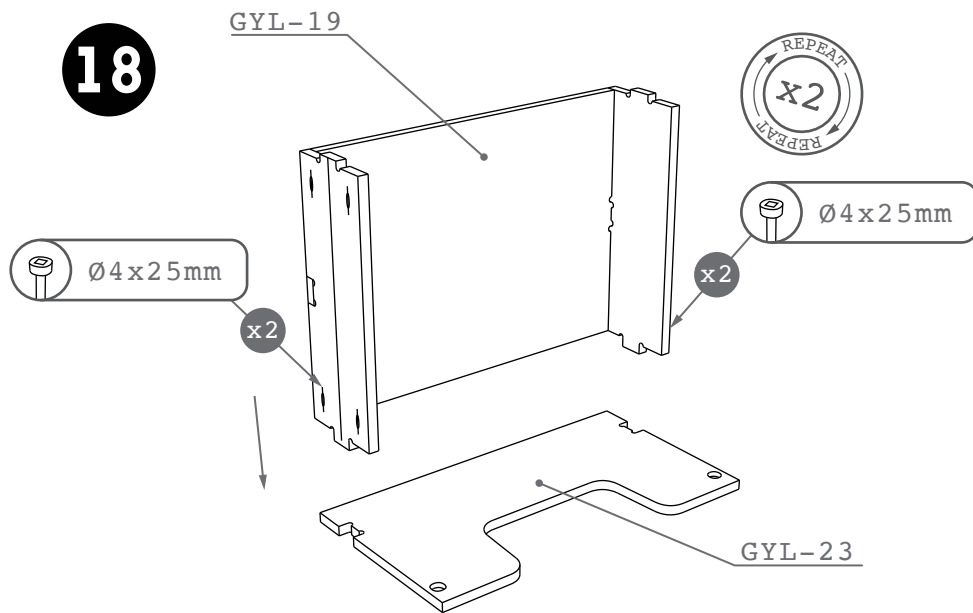
16



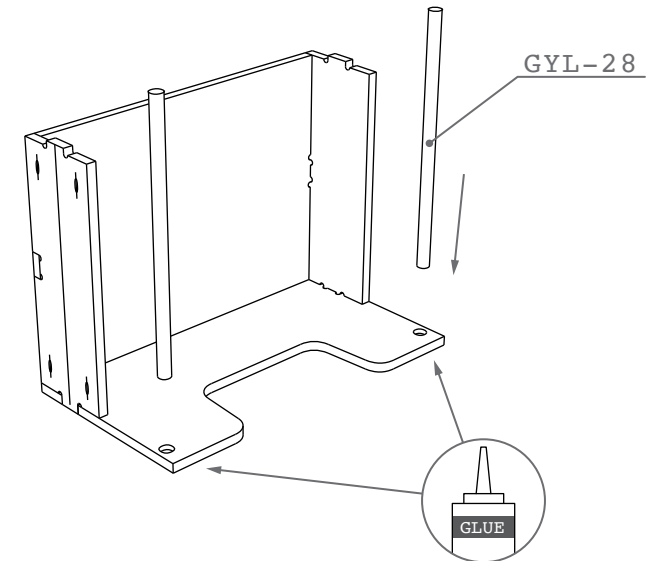
17



18

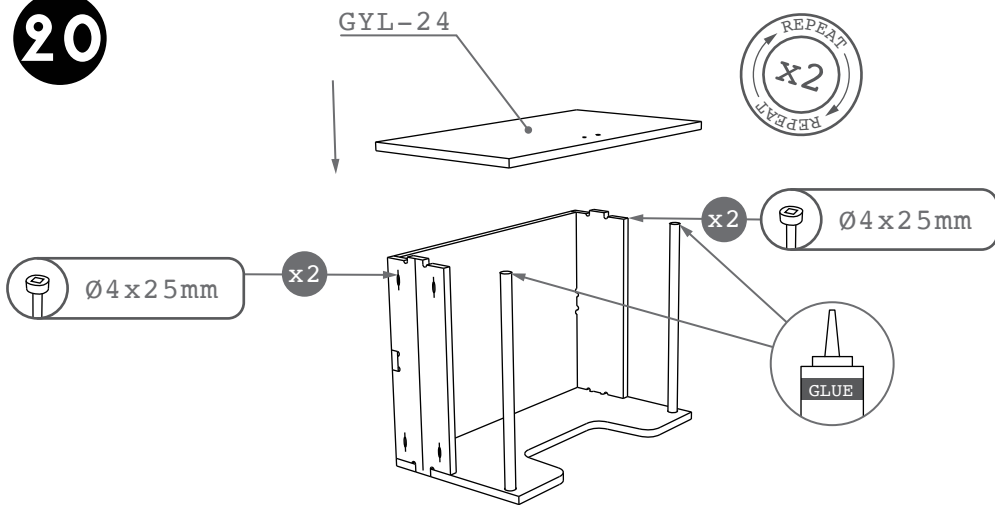


19

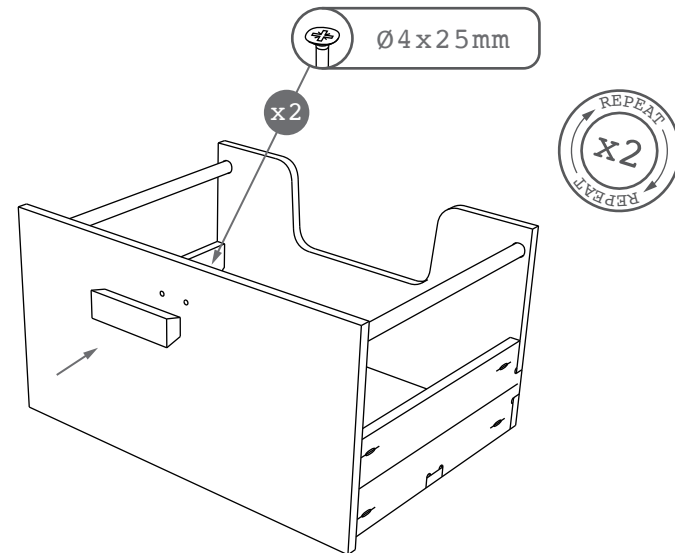


# GHY4 DRAWERS

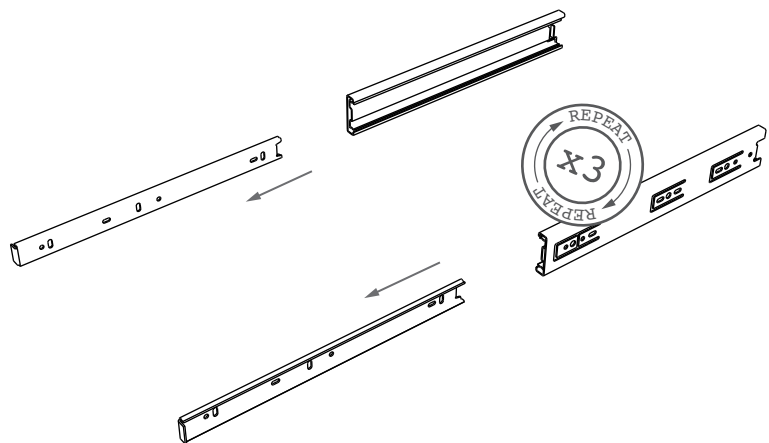
20



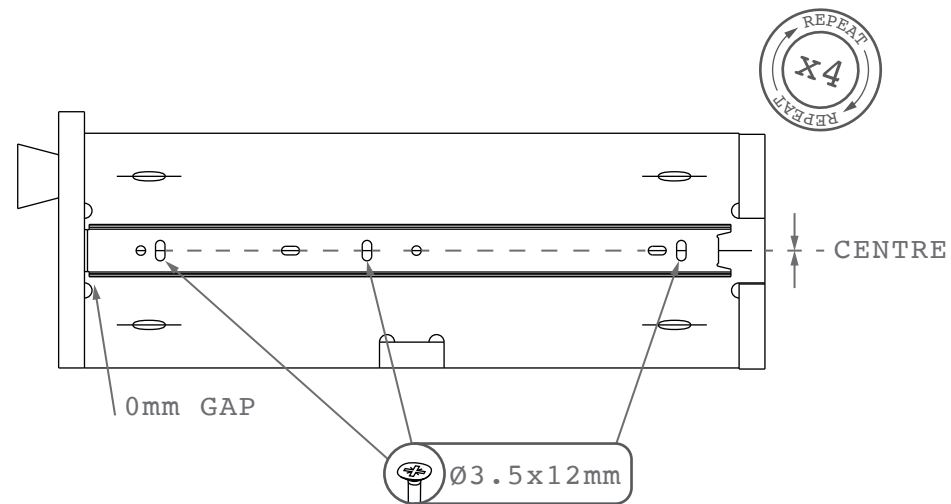
21



22

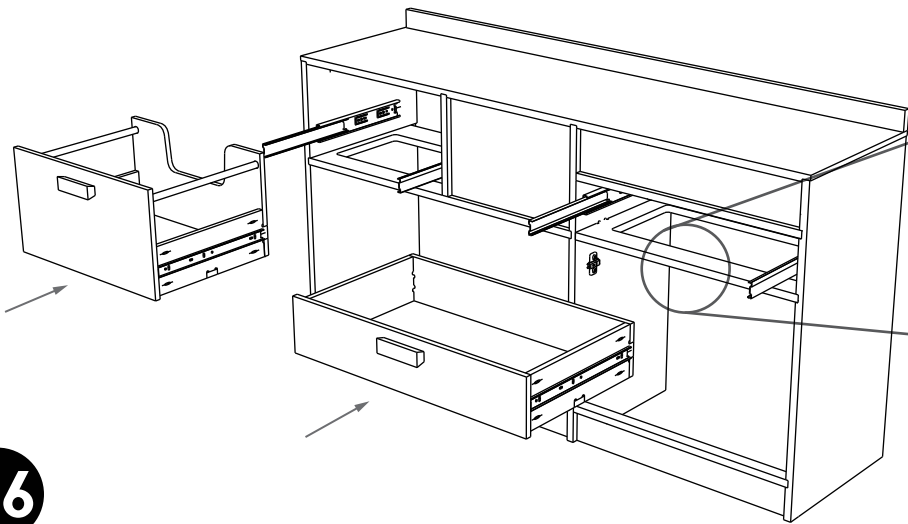


23

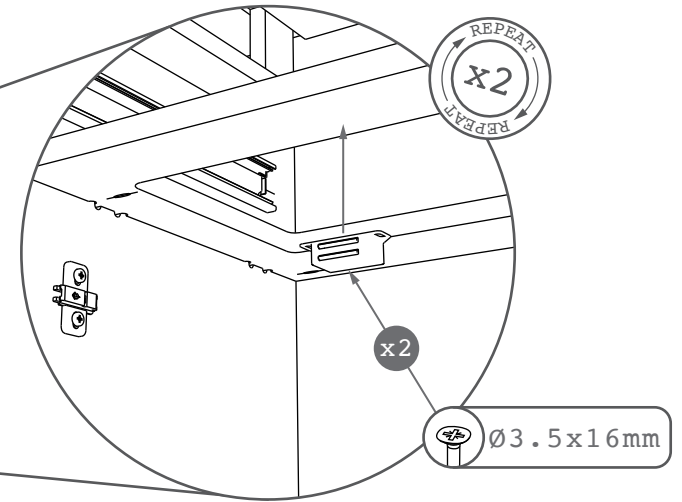


# GHY4 DRAWERS

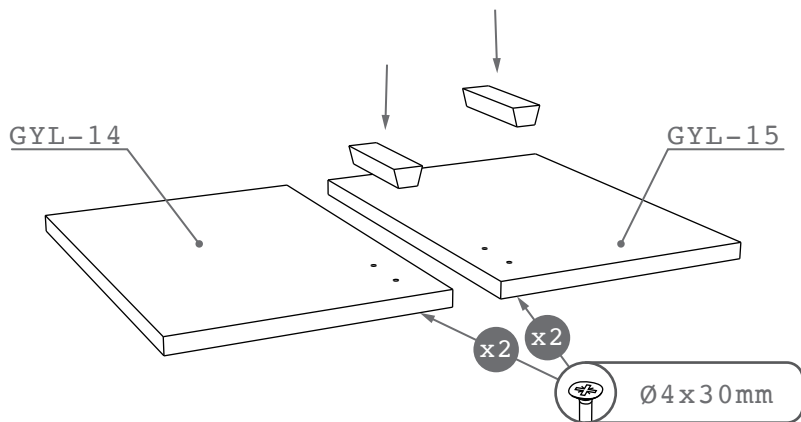
24



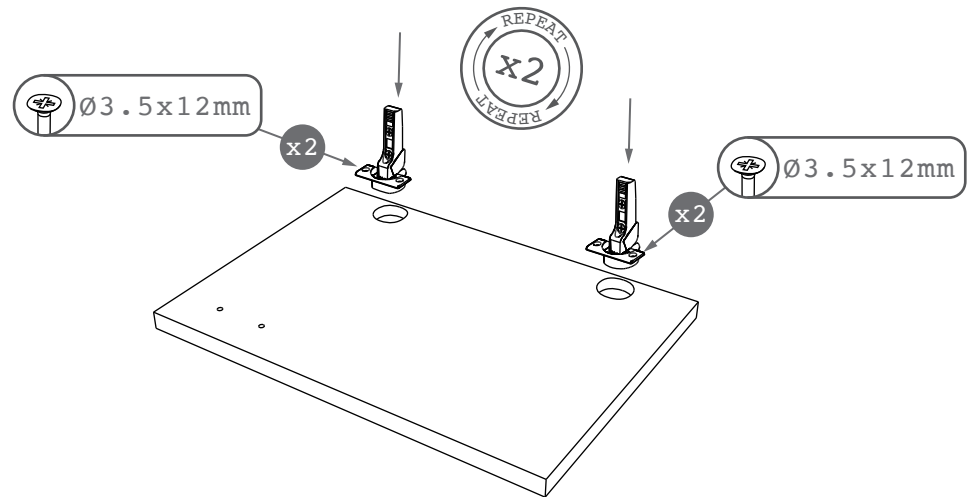
25



26

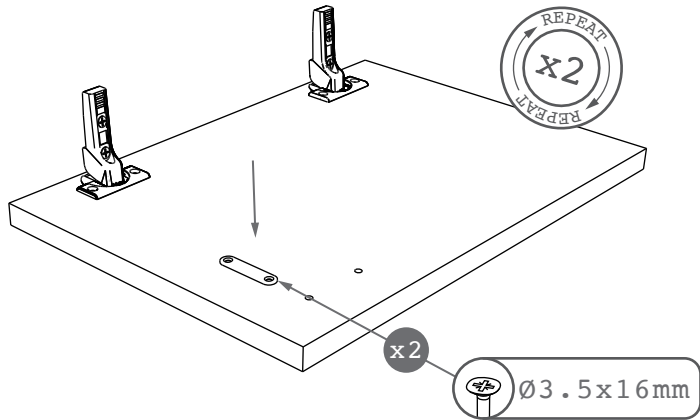


27

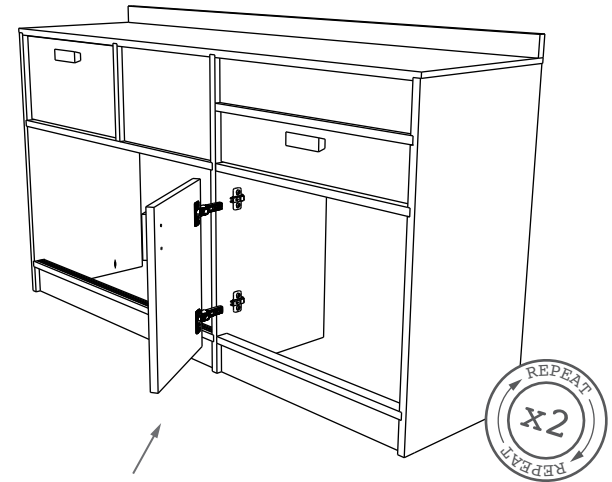


# GHY4 DRAWERS & DOORS

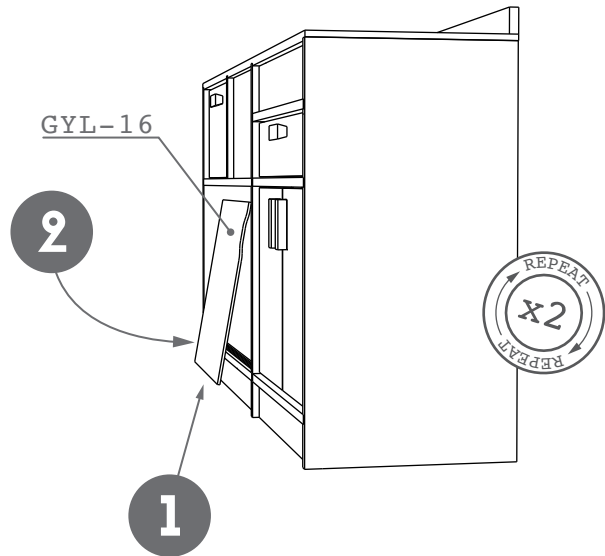
28



29



28



## ADJUSTMENTS

THE DRAWERS SHOULD HAVE A 3mm GAP AROUND EACH FRONT. USE THE SLOTTED HOLES ON THE RUNNERS TO MAKE ANY NECESSARY ADJUSTMENTS.

## SUPPORT

IF YOU NEED HELP WITH ASSEMBLY, PLEASE CALL OR EMAIL TOM USING THE CONTACT DETAILS AT THE BOTTOM OF THE PAGE.



# SLIDING DOORS