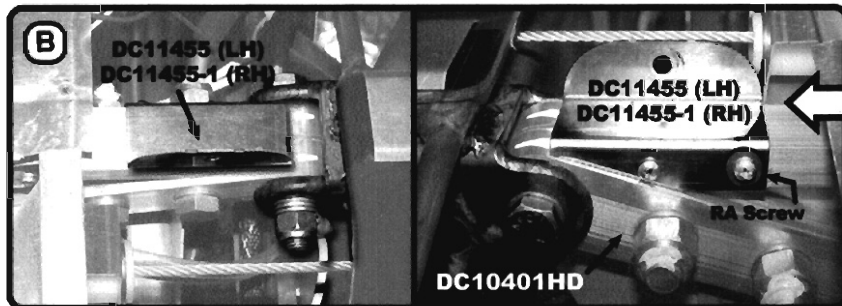
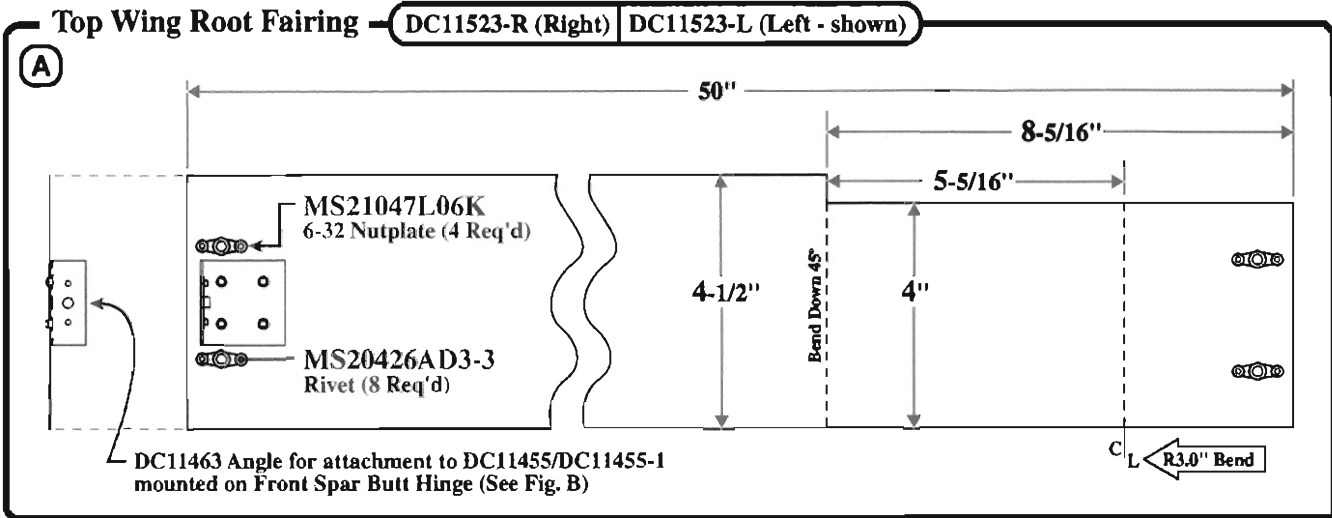
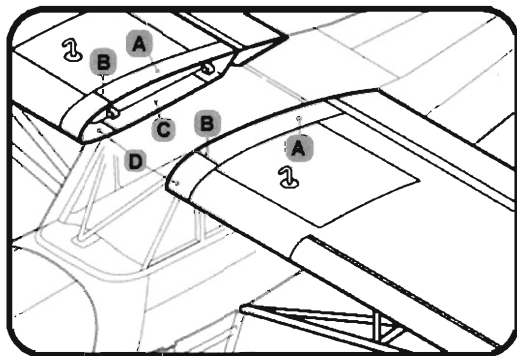


# Wing Root Fairing Installation

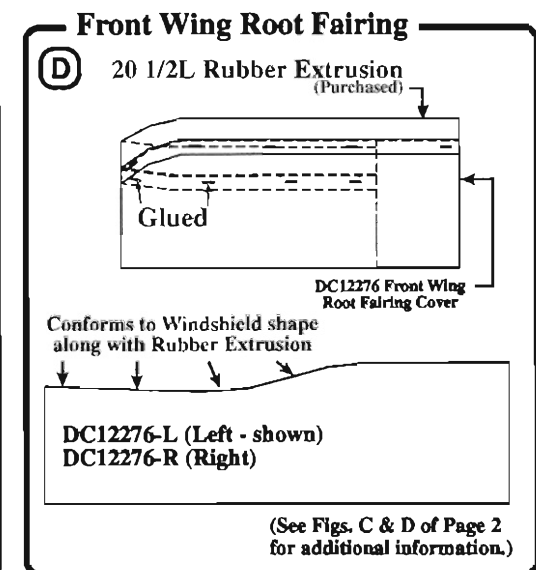
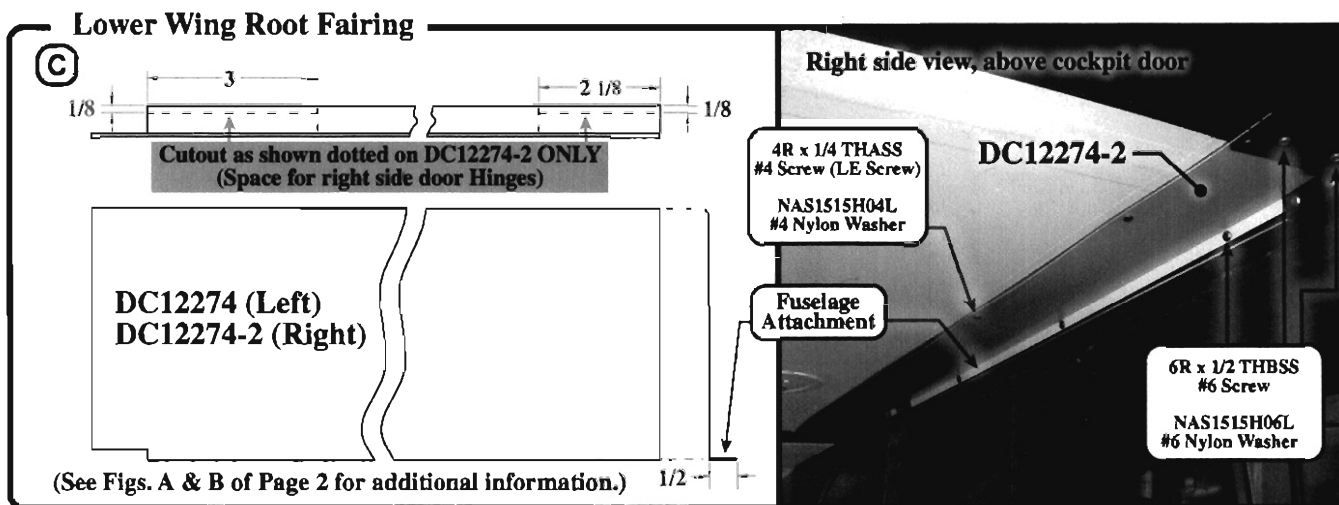
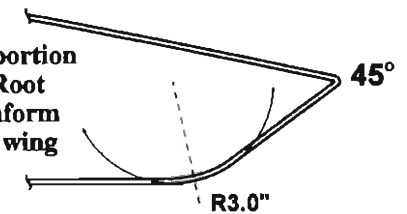
Rev-Original 3-14-07 Page 1 of 2



To install DC11455/DC11455-1 Fairing Attachments, drill thru attachment with #40 drill and secure to Front Spar Butt Hinge with RA Screws. (4R x 1/4 THBSS screw).

**NOTE:** Refer to page 2, *Fastener Specifications Chart*, for additional information.

Bends in Aft portion of Top Wing Root Fairing to conform with shape of wing



## Wing Root Fairing Installation

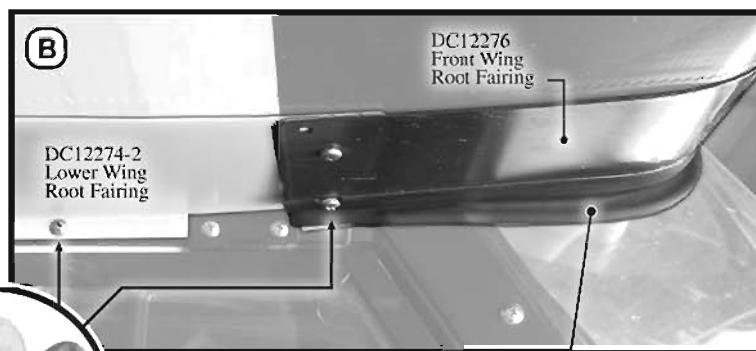
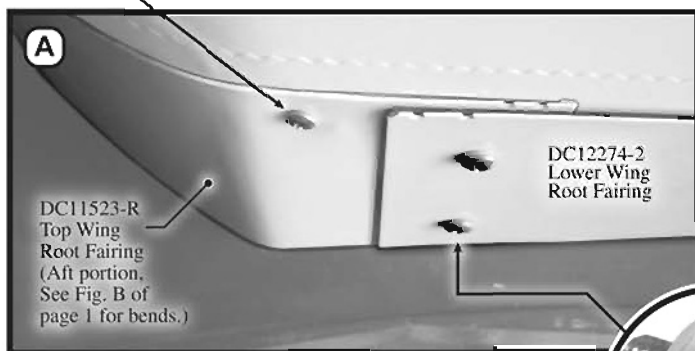
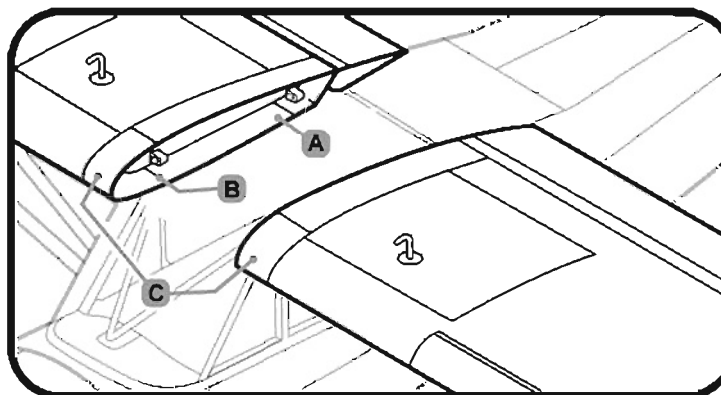
Rev-Original 3-14-07 Page 2 of 2



4R x 1/4 THASS  
#4 Screw  
(LE Screw)

NAS1515H04L  
#4 Nylon Washer

*Refer to Fastener  
Specifications Chart  
for additional  
information.*

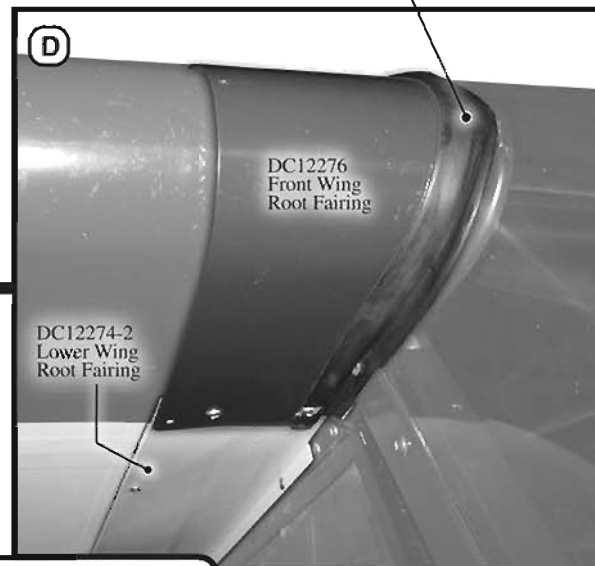


6R x 1/2 THBSS  
#6 Screw

NAS1515H06L  
#6 Nylon Washer



20 1/2L Rubber Extrusion



DC12276 Front Wing Root Fairing  
and 20 1/2L Rubber Extrusion  
follow contours of Wing and Windshield

## Fastener Specifications Chart

4R x 1/4 THBSS	#4 Screw; Truss Head, Blunt-Point, Stainless Steel; ASME-B18.6.4 per ASTM-A276
4R x 1/4 THASS	#4 Screw; Truss Head, Pointed, Stainless Steel; ASME-B18.6.4 per ASTM-A276
6R x 1/2 THBSS	#6 Screw; Truss Head, Blunt-Point, Stainless Steel; ASME-B18.6.4 per ASTM-A276

*Fasteners noted are readily available from aviation fastener suppliers.*