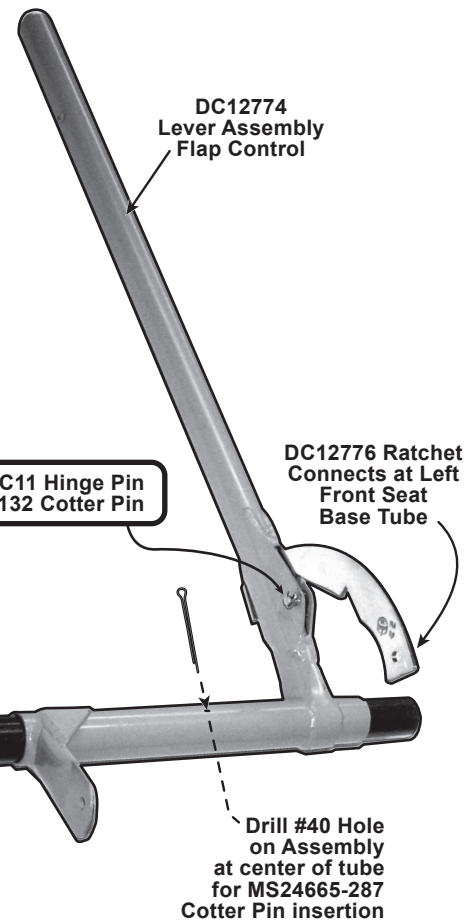
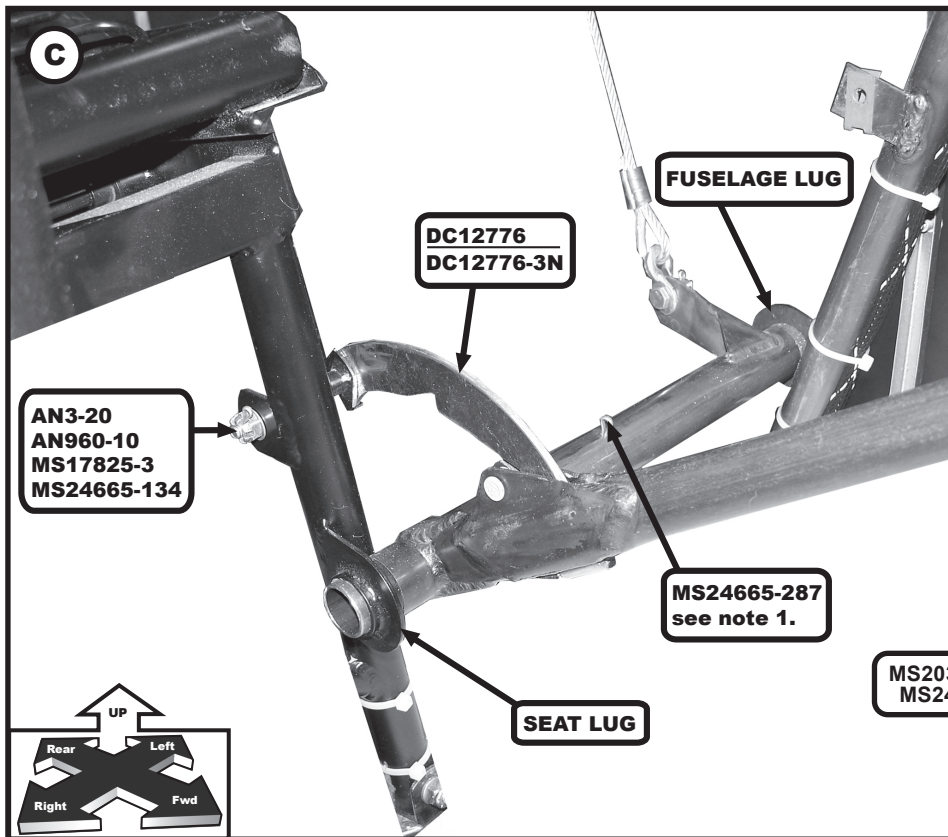
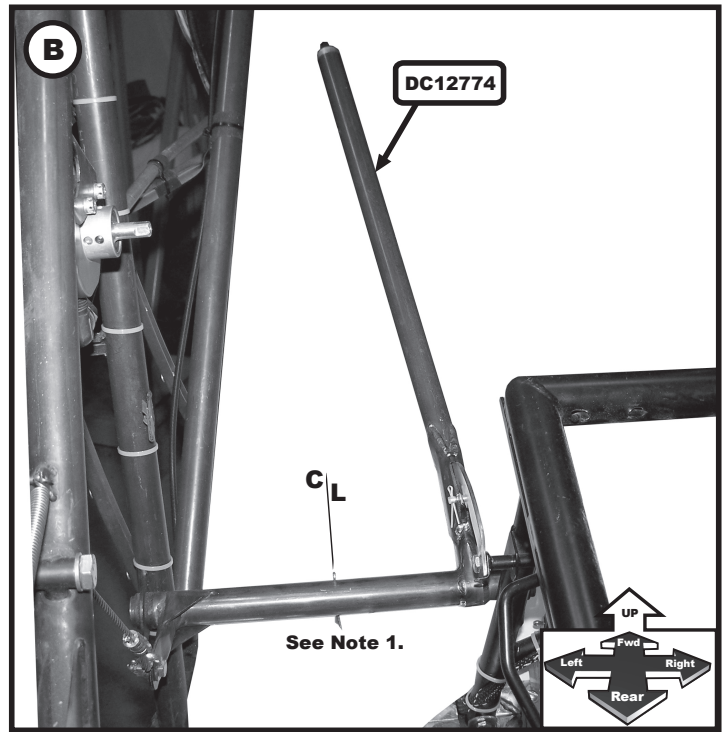
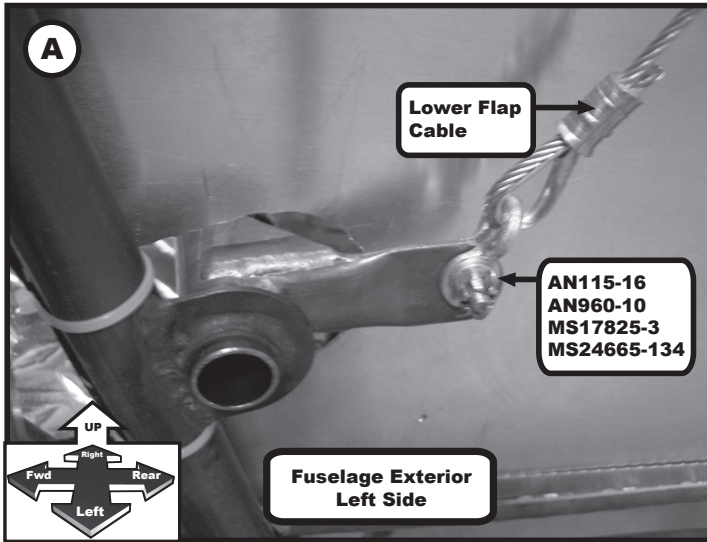


Flap Handle Assembly



Notes:

1. Drill min. #40 hole thru Flap Handle DC12774 and Liner Tube DC80132-10 on tube center lines for installation of MS24665-287 cotter.

2. Lubricate Liner Tube DC80132-10 on assembly.