



WW300BX

Side-by-Side Double Belgian Waffle Maker



Side-by-Side Double Belgian Waffle Maker



MAIN FEATURES

- Produces up to 75+, Belgian waffle (1" thick) per hour
- Rotary feature for even baking and browning
- Triple-coated nonstick plates allow for easy removal of waffles and quick cleanup
- Heating elements are embedded into plates for precise temperature control and even heat distribution, for a consistent golden-brown result
- Independent power ON and READY-TO-BAKE LED indicators, and audio chime signals when the unit is ready to cook and when the waffle is ready to serve
- Independent, adjustable temperature controls let you cook different batters separately, at the same time
- Heavy-duty, die-cast housing is durable and easy to clean
- Removable, dishwasher-safe drip trays make cleanup quick and easy
- Limited One Year Warranty

ELECTRICAL

Voltage: 208

Frequency: 60Hz

Watts: 2700

Amps: 13

Plug Type: NEMA 6-15P 

Cord Length: 3 feet



SALES FEATURES

Make up to 75+, 1" thick, golden-brown Belgian waffles per hour with the Waring® Side-by-Side Double Belgian Waffle Maker. It's perfect for diners, cafes, and any other foodservice establishment. Nonstick plates allow easy removal of waffles. Heavy-duty, die-cast housing, embedded heating elements and a rotary feature ensure even results and quick cleanup.



@waringcommercial

©2020 Waring Commercial
314 Ella T. Grasso Avenue, Torrington, CT 06790
Tel. 800-492-7464 • Fax 860-496-9008

waringcommercialproducts.com

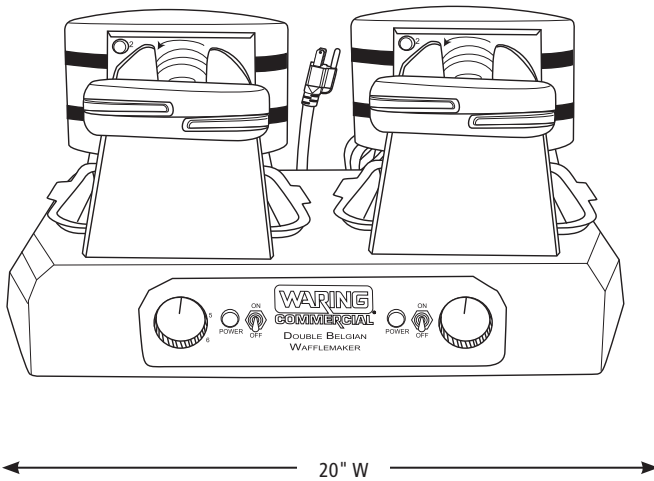
WW300BX



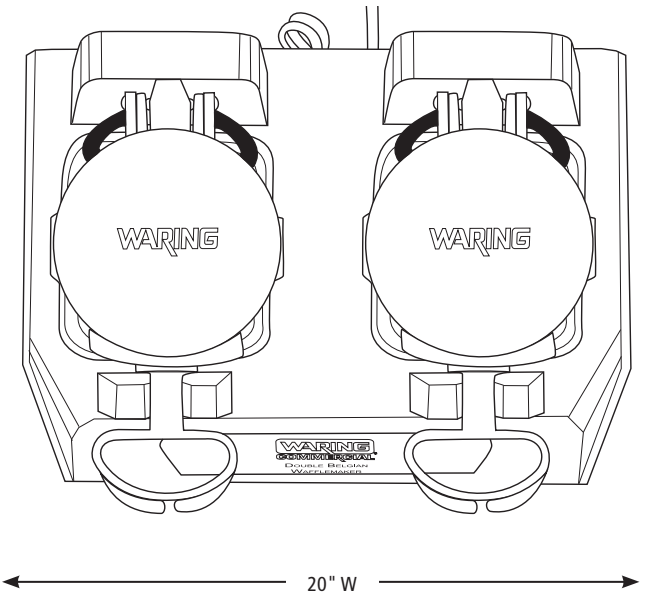
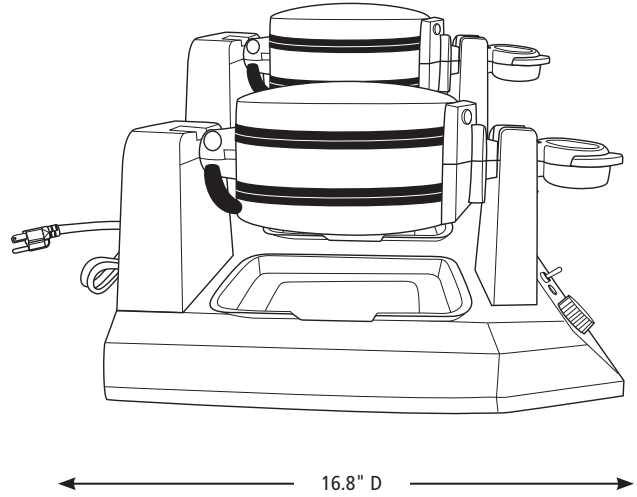
Side-by-Side Double Belgian Waffle Maker

WW300BX

DIMENSIONS



9.75" H



16.8" D

Out of Box Weight: 16 lb.

ORDERING INFORMATION	#STD. PKG.	GIFTBOX WEIGHT	CUBIC FEET	BOX DIMENSIONS D X W X H	UPC	CASE PKG.	MC WEIGHT	MC DIMENSIONS D X W X H	MBC
WW300BX – Side-by-Side Double Belgian Waffle Maker	1	27.3	2.54	23" x 18" x 10.625"	040072072741	1	30	23.375" x 18.5" x 11.25"	10040072072748



@waringcommercial

©2020 Waring Commercial
 314 Ella T. Grasso Avenue, Torrington, CT 06790
 Tel. 800-492-7464 • Fax 860-496-9008

waringcommercialproducts.com

20WC071637 / REV 04/20