



TBB175P6

Torq 2.0 Electronic Touchpad with Variable Speed and 64 oz. Copolyester Container



Torq 2.0 Electronic Touchpad with Variable Speed and 64 oz. Copolyester Container



MAIN FEATURES

- High performance, 2HP, 1500-watt, 2-speed motor with 24,000 max RPM
- Electronic touchpad controls with POWER, START/STOP and PULSE buttons, and variable speed control dial 1–10
- 64 oz., BPA-free copolyester container with removable cap to feed ingredients while blending
- Heavy-duty stainless steel blade with solid steel, user-replaceable blade assembly with drive coupling
- Blend three, 16 oz. margaritas in 8 seconds or less
- Recommended for 50–74 drinks per day
- Limited 2-year warranty

*Made in USA with US and foreign parts.

ELECTRICAL

Voltage: 120

Frequency: 60Hz

Watts: 1492

Plug Type: NEMA 5-15P ⓘ

Cord Length: 5 feet



SALES FEATURES

Quickly prepare margaritas, daiquiris, sauces, soups and more with the Waring Torq 2.0 Series TBB175P6. This heavy-duty, 2-speed blender works great for medium or heavy food and beverage preparation. It easily churns out three, 16 oz. margaritas in 8 seconds or less. Electronic touchpad controls and variable speed control dial make it perfect for any bar, restaurant, or smoothie shop.



@waringcommercial

©2020 Waring Commercial
314 Ella T. Grasso Avenue, Torrington, CT 06790
Tel. 800-492-7464 • Fax 860-496-9008

waringcommercialproducts.com

TBB175P6



PARTS & ACCESSORIES

- 

CAC89 64 oz. Copolyester Container and Jar Pad
- 

CAC139 48 oz. Copolyester Container
- 

CAC152 48 oz. Stainless Steel Container and Jar Pad
- 

CAC167 64 oz. Stainless Steel Container and Jar Pad
- 

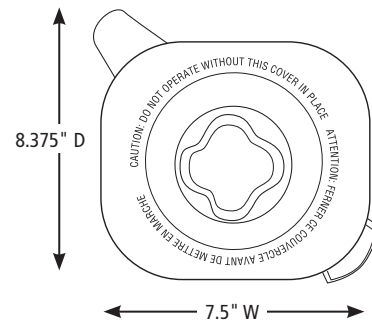
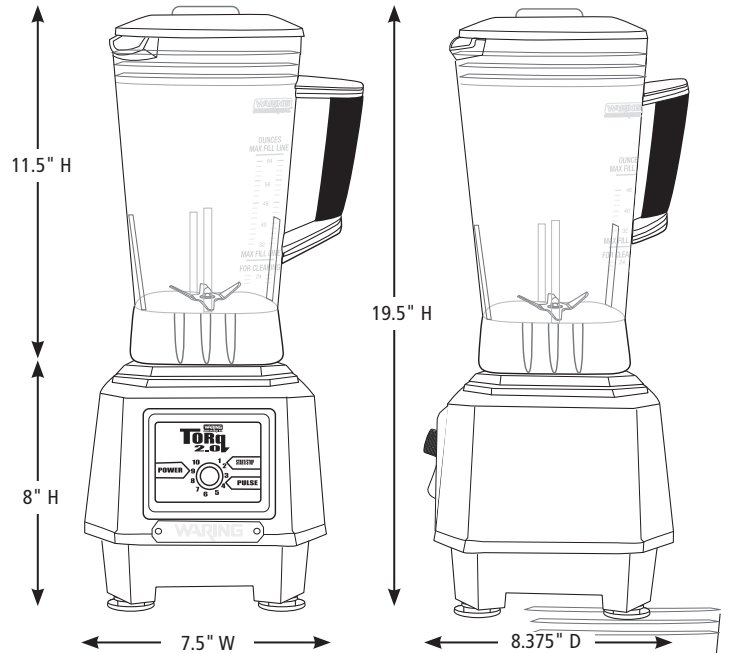
CAC145 Lid with Measuring Cap for CAC139
- 

CAC150 Jar Pad
- 

CAC140 Blending Assembly
- 

CAC147 Clutch Repair Kit (12 pack)

DIMENSIONS



Out of Box Weight: 11.4 lb.

ORDERING INFORMATION	#STD. PKG.	GIFTBOX WEIGHT	CUBIC FEET	BOX DIMENSIONS D x W x H	UPC	CASE PKG.	MC WEIGHT	MC DIMENSIONS D x W x H	MBC
TBB175P6 – Electronic Touchpad with Variable Speed and 64 oz. Copolyester Container	1	13	.94	8.875" x 11.375" x 15.75"	040072086359	2	27.24	12" x 18.5" x 16.5"	10040072080356

