



BB300S

Blade Series 1 HP Blender Toggle Switch with 48 oz. Stainless Steel Container



*Made in USA with US and foreign parts.

ELECTRICAL

Voltage: 120

Frequency: 60Hz

Watts: 820

Amps: 6.8

Plug Type: NEMA 5-15P

Cord Length: 6 feet



MAIN FEATURES

- Powerful, 1 HP commercial motor with 2 speeds and PULSE function
- One-piece, 48 oz. stainless steel jar with industrial steel blade
- Easy-to-use toggle switch controls with HIGH, LOW, OFF and PULSE
- Removable, rubberized jar pad dampens sound and makes cleanup easy
- Blend three, 16 oz. margaritas in 12 seconds
- Recommended for 25–49 drinks per day
- Limited Two-Year Warranty

SALES FEATURES

The Waring® BB300S Blade Series 1 HP Blender has you covered when your bar is busiest. Make three, 16 oz. margaritas in 12 seconds. Its 2-speed, powerful, 1 HP motor features easy-to-use toggle switch controls. A removable, rubberized jar pad dampens sound and makes wipe-down cleanup easy. The 48 oz. stainless steel container is dishwasher safe.

Blade Series 1 HP Blender Toggle Switch with 48 oz. Stainless Steel Container

BB300S



@waringcommercial

©2019 Waring Commercial
314 Ella T. Grasso Avenue, Torrington, CT 06790
Tel. 800-492-7464 • Fax 860-496-9008

waringcommercialproducts.com



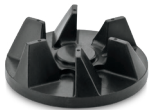
PARTS & ACCESSORIES



CAC138 48 oz. Stainless Steel Blender Container



CAC132 48 oz. Copolyester Blender Container



CAC137 Clutch Repair Kit (12 pack)



CAC141 Blending Assembly

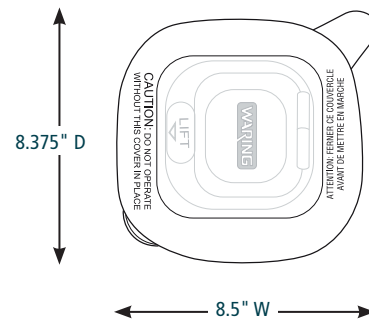
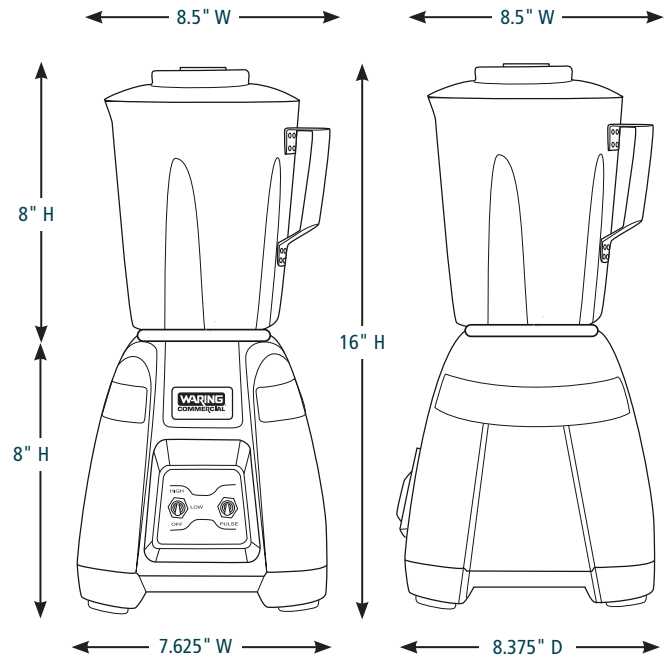


CAC142 Blender Lid



CAC143 Jar Pad

DIMENSIONS



Out of Box Weight: 8.4 lb.

ORDERING INFORMATION	#STD. PKG.	GIFTBOX WEIGHT	CUBIC FEET	BOX DIMENSIONS D x W x H	UPC	CASE PKG.	MC WEIGHT	MC DIMENSIONS D x W x H	MBC
BB300S – Toggle Switch with 48 oz. Stainless Steel Container	1	10	.89	10.1" x 10.1" x 15.1"	040072035111	2	21.4	21" x 10.6" x 16.1"	10040072035118



@waringcommercial

©2019 Waring Commercial
 314 Ella T. Grasso Avenue, Torrington, CT 06790
 Tel. 800-492-7464 • Fax 860-496-9008

waringcommercialproducts.com

19WC059574 / REV 08/19