



# WWCM180

## Heavy-Duty Single Waffle Cone Maker



Heavy-Duty Single Waffle Cone Maker



### MAIN FEATURES

- Up to 60 waffle cones per hour
- Heavy-duty die-cast housing
- Triple-coated nonstick plates allow easy removal of waffle cones and quick cleanup
- Audible beep signals when unit is ready and when waffle is cooked
- Power ON and Ready-to-Bake LED indicators
- Limited One-Year Warranty



### ELECTRICAL

Voltage: 120

Frequency: 60Hz

Watts: 1200

Amps: 10

Plug Type: NEMA 5-15P ⓘ

Cord Length: 3 feet



### SALES FEATURES

Ice cream just tastes better in a freshly baked waffle cone. You can make over 60 per hour with the Waring® Single Waffle Cone Maker. It's perfect for ice cream parlors, cafes and concession stands. The heavy-duty die-cast housing ensures durability, along with a rotary feature for perfectly baked cones. Includes a rolling and forming tool.



@waringcommercial

©2021 Waring Commercial  
314 Ella T. Grasso Avenue, Torrington, CT 06790  
Tel. 800-492-7464 • Fax 860-496-9008

waringcommercialproducts.com

WWCM180



## PARTS & ACCESSORIES



**CAC121** Rolling and Forming Tool

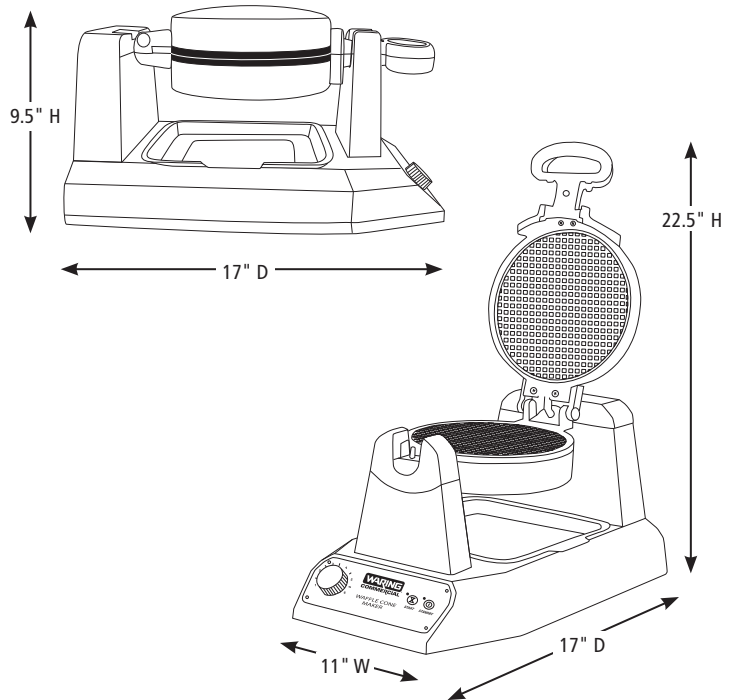
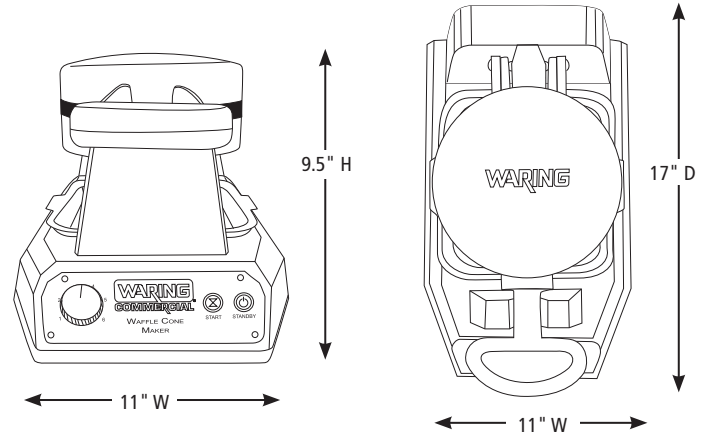


**CAC122** Waffle Bowl Forming Tool



**CAC121S** Small Rolling and Forming Tool

## DIMENSIONS



Out of Box Weight: 17 lb.

| ORDERING INFORMATION                         | #STD. PKG. | GIFTBOX WEIGHT | CUBIC FEET | BOX DIMENSIONS D X W X H | UPC          | CASE PKG. | MC WEIGHT | MC DIMENSIONS D X W X H | MBC           |
|--|------------|----------------|------------|--------------------------|--------------|-----------|-----------|-------------------------|---------------|
| WWCM180– Heavy-Duty Single Waffle Cone Maker | 1          | 17             | 1.691      | 18" x 12.5" x 10.5"      | 040072019937 | 1         | 18.25     | 18.5" x 13.25" x 11.5"  | 1004007219934 |



@waringcommercial

©2021 Waring Commercial  
314 Ella T. Grasso Avenue, Torrington, CT 06790  
Tel. 800-492-7464 • Fax 860-496-9008

waringcommercialproducts.com

21WC079456 / REV 05/21