

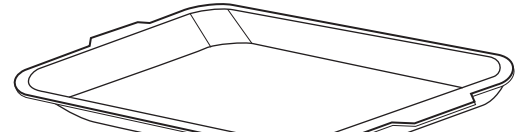
# WARING COMMERCIAL®

208 Volt Double Belgian Waffle Makers

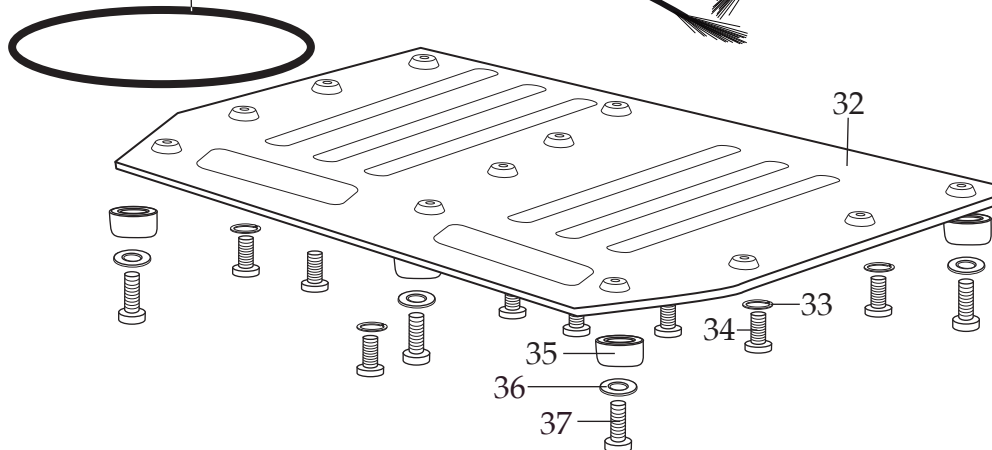
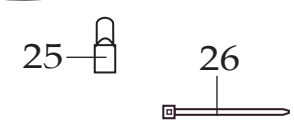
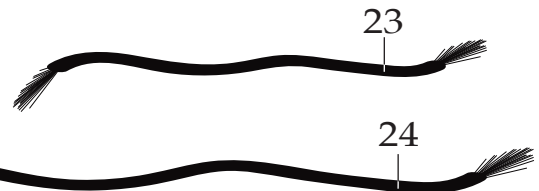
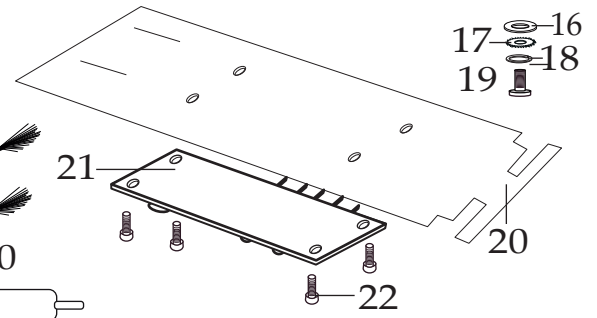
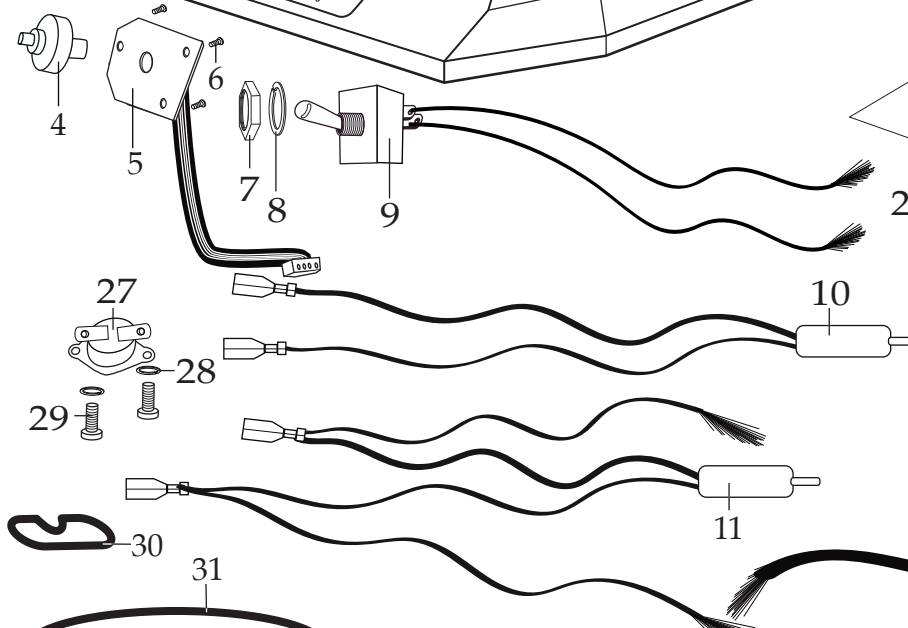
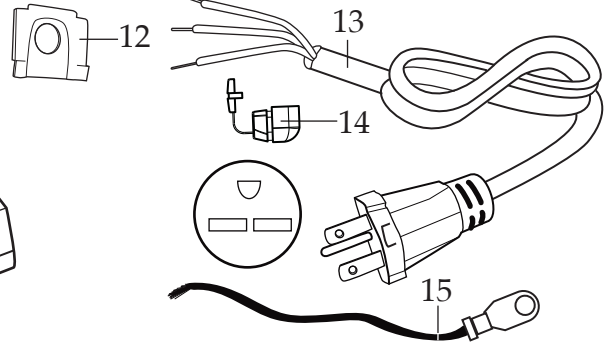
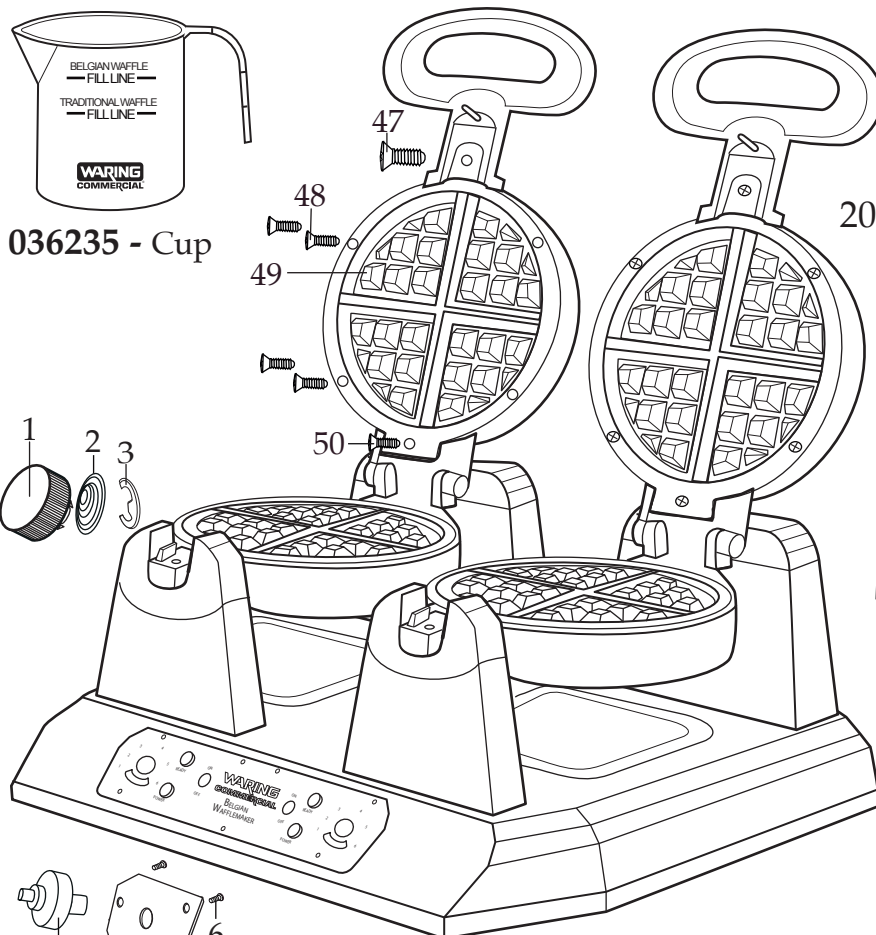
## WW250BX2



036235 - Cup



032350 - Drip Pan



Date Code Location  
 WWYY  
 (week week year year)

<b>WARING COMMERCIAL</b> Torrington, CT 06790 DOUBLE WAFFLE MAKER/GAUFRIER DOUBLE MODEL/MODELE: WW250BX2 208VAC 60Hz 2700W MADE IN CHINA/FABRIQUEE EN CHINE FOR COMMERCIAL USE ONLY / APPROVE POUR USAGE COMMERCIAL	D/C: Intertek 3182547 CONFORMS TO UL STD. 197	

<b>Illustration#</b>	<b>Part#</b>	<b>Description</b>
1	032352	Browning Control Knob (2 required per unit)
2	034938	Spring Coil (2 required per unit)
3	032362	E Ring (2 required per unit)
4	034161	Connector Pole (2 required per unit)
5	036236	Darkness Control Panel (2 required per unit)
6	037493	Screw (10 required per top inner plate and 10 required per bottom inner plate)
7	016236	Hex Nut (1 required per each switch)
8	032356	Spring Washer (1 required per each switch)
9	038512	Toggle Switch w/two 15.5" Leads
	038738	Toggle Switch w/one 15.5" Lead one 19.5" Lead
10	037928	Bulb with 2 Leads (2 required per unit)
11	037929	Bulb with 4 Leads (2 required per unit)
12	032371	Cord Plate
13	029111	Cord Set
14	032361	Strain Relief
15	037491	8.25" Green Ground Lead Assembly (2 required per unit)
16	037491	8.25" Green Ground Lead Assembly (2 required per unit)
17	037945	Lock Washer (3 required per unit)
18	032360	Spring Washer (3 required per unit)
19	035298	Ground Screw (3 required per unit)
20	030638	PCB Board Shield (2 required per unit)
21	036234	PCB Board (2 required per unit)
22	032359	Screw (8 required per unit)
23	038736	4" Black Lead
24	038737	13.75" Black Lead
25	019123	Large Crimp Connector (4 required per unit)
	012409	Small Crimp Connector (8 required per unit)
26	013731	Wire Tie (8 required per unit)
27	038133	Thermostat (2 required per unit)
28	037504	Spring Washer (2 required per thermostat)
29	032359	Screw (2 required per thermostat)
30	038131	Small Rubber Gasket (2 required per unit)
31	038132	Round Rubber Gasket (2 required per unit)
32	036238	Bottom Plate

Illustration#	Part#	Description
33	032751	Spring Washer (4 required)
34	037250	Screw (4 required)
35	032353	Foot (4 required)
36	032354	Foot Washer (4 required)
37	032355	Foot Screw (4 required)
38	037488	Top Handle (2 required per unit)
39	037489	Bottom Handle (2 required per unit)
40	037493	Screw (2 required per top handle - 2 required per bottom handle)
41	038786	Heating Element (1 top - 1 bottom)
42	037503	Clamp (3 required per top heating element - 3 required per bottom heating element)
43	032359	Screw (3 required top clamps - 3 required bottom clamps)
	037504	Spring Washer (3 required top clamps - 3 required bottom clamps)
44	032751	Spring Washer (2 required top heating element - 2 required bottom heating element)
45	037505	Screw (2 required top heating element - 2 required bottom heating element)
46	037506	Insulated Sleeve (2 required top heating element -

