



WTC64

Café DECO™

64-oz. Stainless Steel Thermal Carafe



MAIN FEATURES

- 64 oz. capacity
- Vacuum insulated
- Double-wall stainless steel construction
- Easy-pour handle
- Durable – will not break when bumped or dropped
- Includes removable orange silicone ring to indicate decaf brew
- Perfect for catering businesses, cafes, coffee shops, restaurants, and hotels
- **Minimum order quantity 6 units (1 case pack)**



SALES FEATURES

Fresh, delicious coffee is always hot and ready to serve with the Waring Commercial® Café Deco™ Stainless Steel Thermal Carafe. Specially designed with a brew-through lid for use with thermal brewers, it features double-walled stainless steel and vacuum insulation to keep coffee at just the right temperature for hours. The large, 64-oz. capacity and easy-pour handle make it ideal for serving groups. Perfect for meeting rooms, breakfast bars, restaurants, and other operations where hot coffee is in high demand.

Café DECO™ 64-oz. Stainless Steel Thermal Carafe



@waringcommercial

©2020 Waring Commercial
 314 Ella T. Grasso Avenue, Torrington, CT 06790
 Tel. 800-492-7464 • Fax 860-496-9008

waringcommercialproducts.com

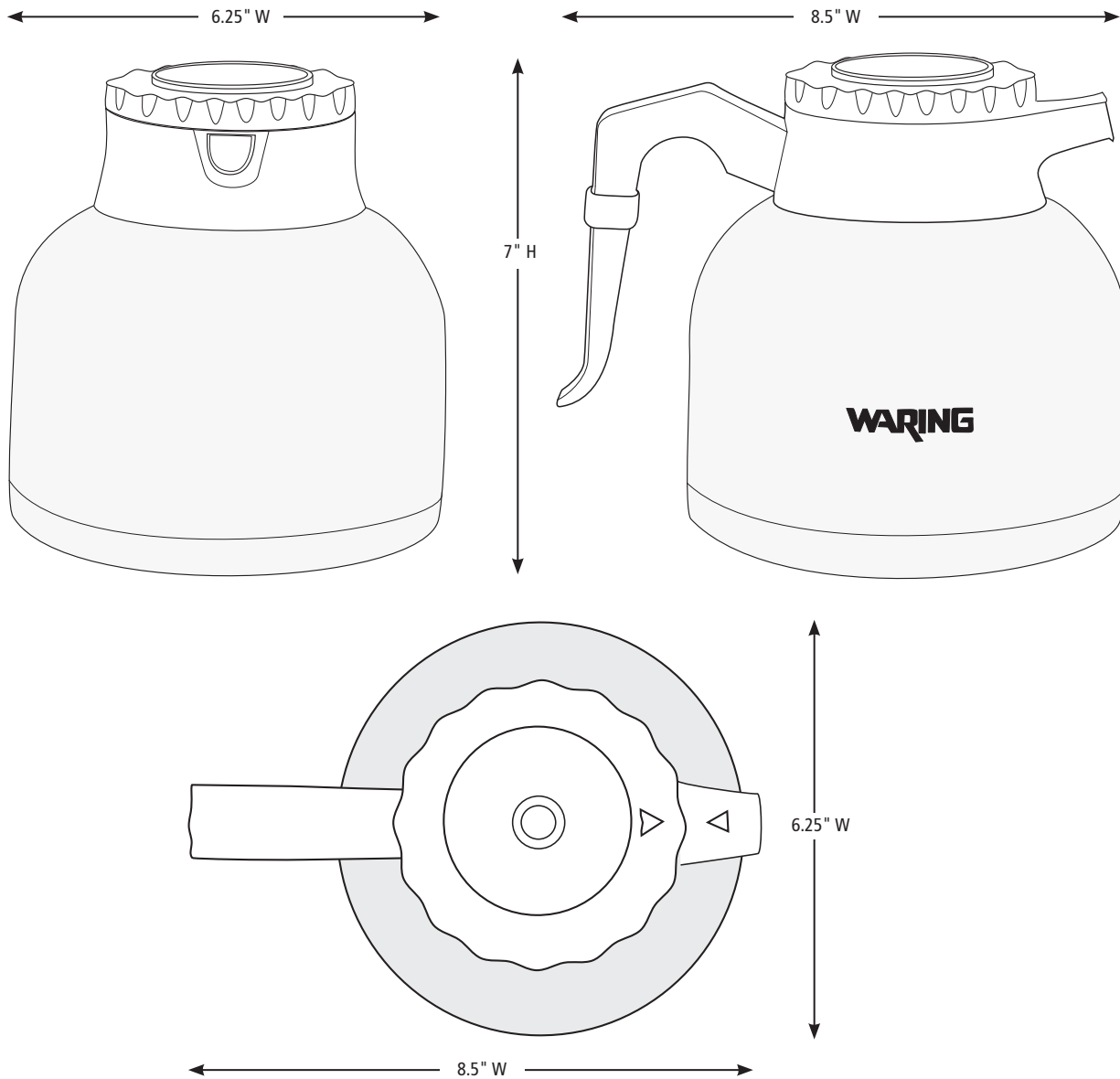
WTC64



Café DECO
WTC64

64-oz. Stainless Steel Thermal Carafe

DIMENSIONS



Out of Box Weight: 1.9 lb.

ORDERING INFORMATION	#STD. PKG.	GIFTBOX WEIGHT	CUBIC FEET	BOX DIMENSIONS D X W X H	UPC	CASE PKG.	MC WEIGHT	MC DIMENSIONS D X W X H	MBC
WTC64 – 64-oz. Stainless Steel Carafe	1	2.1	.24	7.375" x 7.625" x 7.375"	040072089701	6	12.6	23.5" x 15.25" x 8"	10040072089708



@waringcommercial

©2020 Waring Commercial
314 Ella T. Grasso Avenue, Torrington, CT 06790
Tel. 800-492-7464 • Fax 860-496-9008

waringcommercialproducts.com

20WC076275/ REV 10/20