

Unit Information

240 Volts – 60 Hz – 3200 Watts

Oven Capacity H=4" x W=18.25" x D=18.25"

Outside Dimensions H=25" x W=27" x D=28"

30-Minute Timer

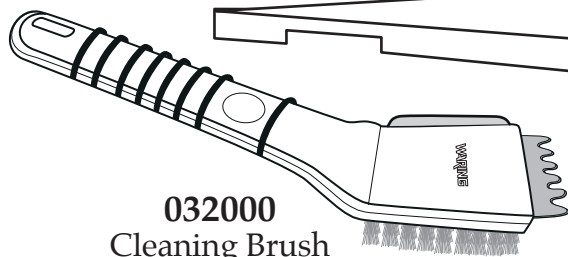
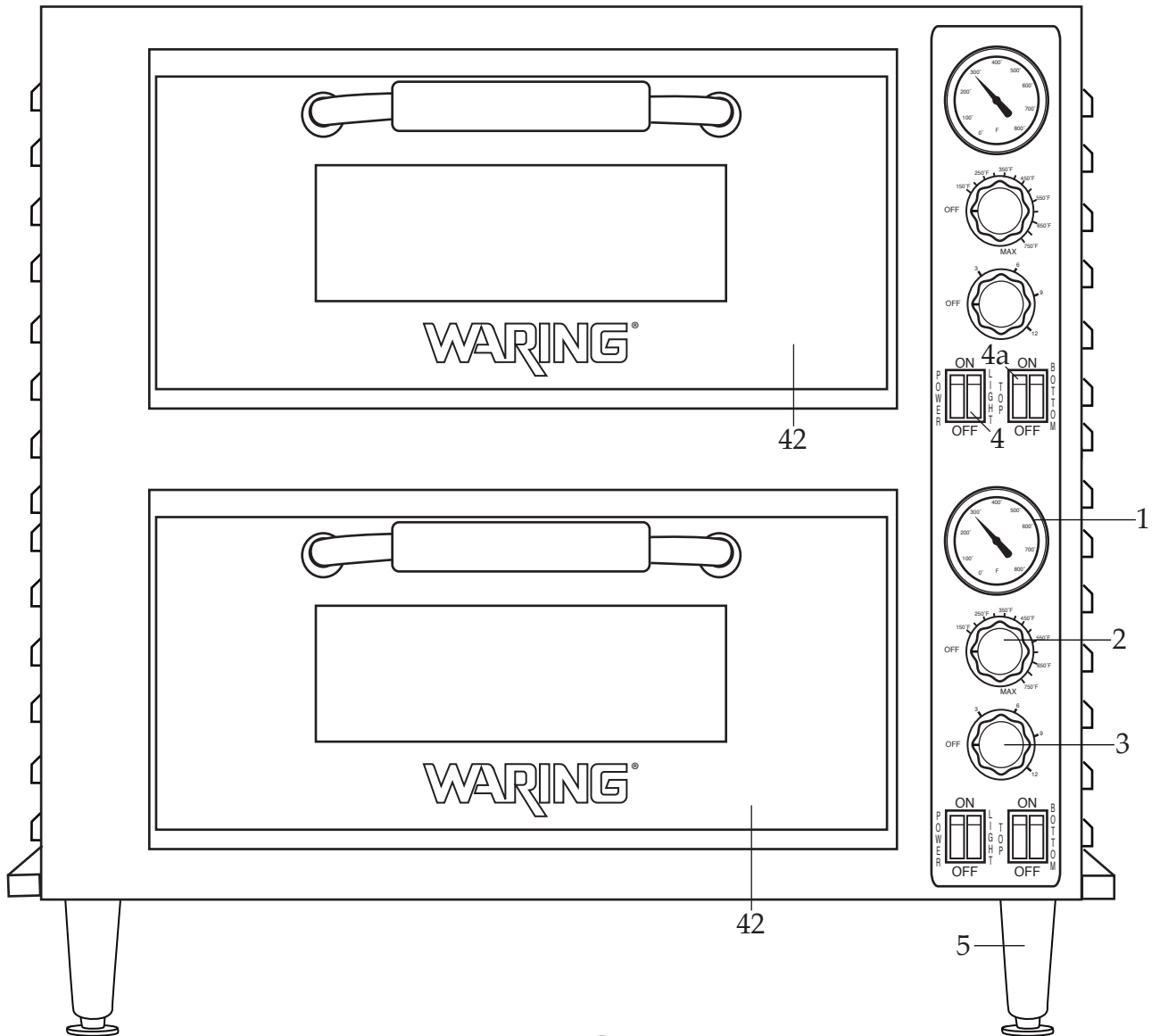
Two independent chambers with their own deck controls can operate at different temperatures simultaneously.

Replacing Bulb - Do Not touch with bare hands (this will reduce lifespan) use a clean tissue or cloth glove to position new bulb carefully and push in to engage.

WARING COMMERCIAL®

Double Deck Pizza Oven (double door)

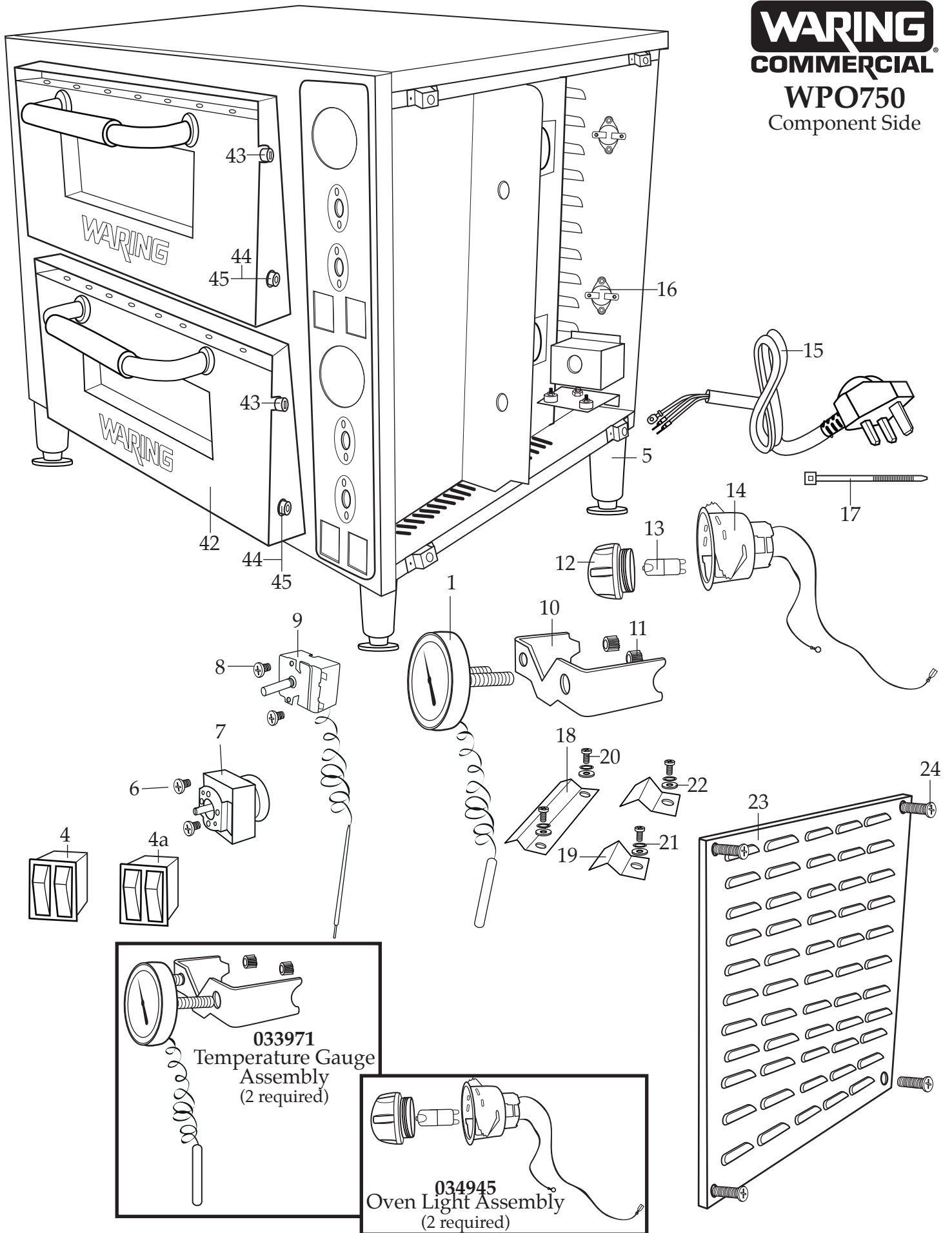
WPO750



032000
Cleaning Brush

033752
Pizza Stone (2 required)

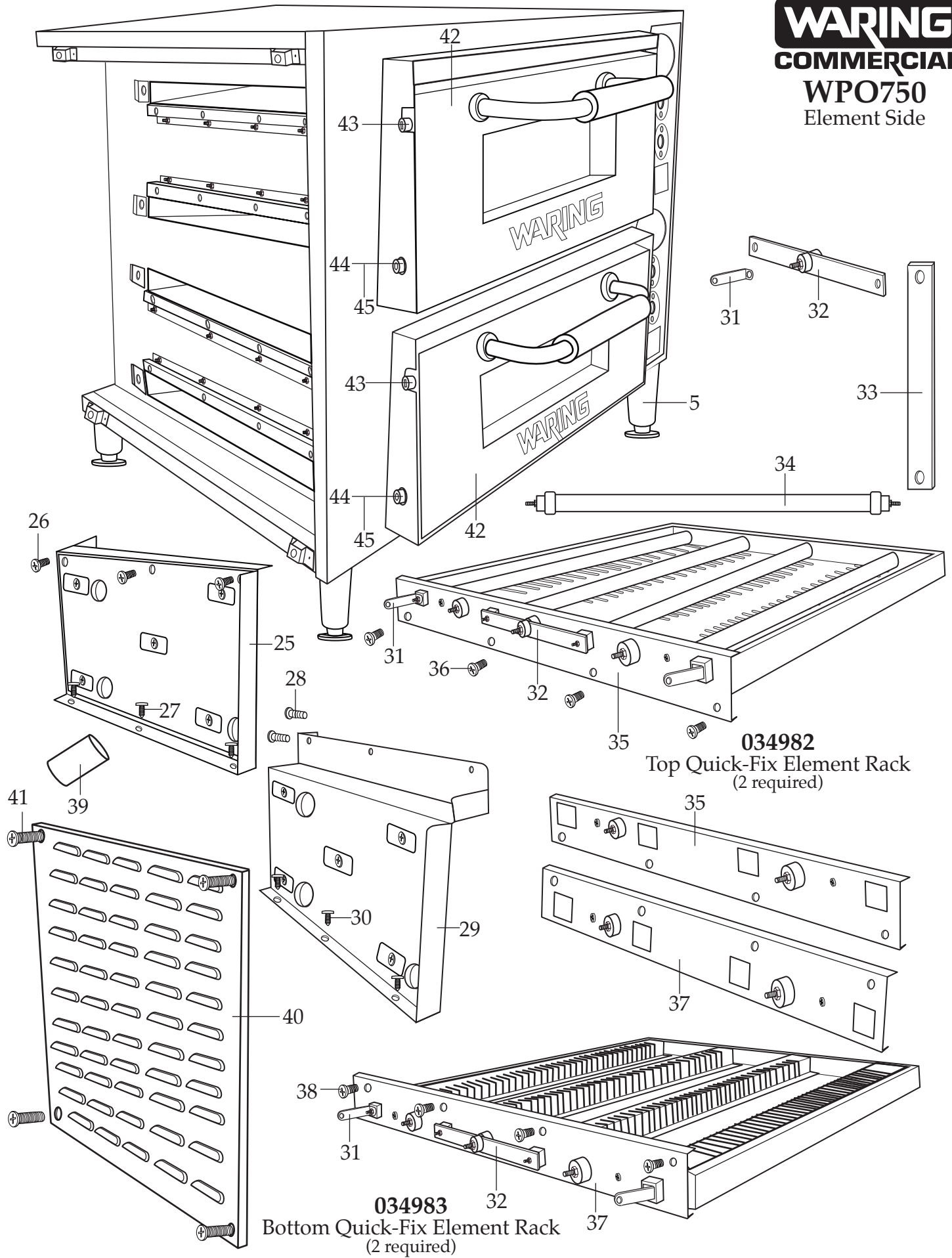
WARING
COMMERCIAL
WPO750
 Component Side



033971
 Temperature Gauge
 Assembly
 (2 required)

034945
 Oven Light Assembly
 (2 required)

WARING
COMMERCIAL
WPO750
 Element Side



| Illustration # | Part # | Description |
|-----------------------|---------------|--|
| 1 | 033753 | Temperature Gauge (2 required) |
| 2 | 028626 | Temperature Knob with Screws (2 required) |
| 3 | 028626 | Timer Knob with Set Screws (2 required) |
| 4 | 034946 | Double Power/Light Switch (2 required) |
| 4a | 034947 | Double On-Off Switch (2 required) |
| 5 | 033755 | Foot (4 required) |
| 6 | 029943 | Screw (2 required for each timer) |
| 7 | 033764 | Timer (2 required) |
| 8 | 029943 | Screw (2 required for each thermostat) |
| 9 | 034948 | Thermostat (2 required) |
| 10 | 033766 | Temperature Gauge Bracket (2 required) |
| 11 | 033767 | Thumb Screw (2 required for each temperature gauge) |
| 12 | 033768 | Oven Light Lens (2 required) |
| 13 | 035605 | Bulb-Rated 230V/25W (2 required) |
| 14 | 034949 | Lamp Holder (2 required) |
| 15 | 034957 | Cord (240 volt) |
| 16 | 033756 | Thermal Cut-off (2 required) |
| 17 | 013731 | Wire Tie (17 required) |
| 18 | 034979 | Thermostat Probe Bracket (2 required) |
| 19 | 034980 | Temperature Gauge Probe Bracket (2 required for each oven) |
| 20 | 033760 | Screw (4 required for each set of brackets) |
| 21 | 033761 | Spring Washer (4 required for each set of brackets) |
| 22 | 033762 | Washer (4 required for each set of brackets) |
| 23 | 034977 | Component Right Side Panel |
| 24 | 033771 | Screw (4 required) |
| 25 | 034984 | Top Insulation Plate Assembly |
| 27 | 033776 | Screw (3 required) |
| 27 | 033785 | Screw (3 required) |

| Illustration # | Part # | Description |
|-----------------------|---------------|---|
| 28 | 033776 | Screw (2 required) |
| 29 | 034985 | Bottom Insulation Plate Assembly |
| 30 | 033785 | Screw (3 required) |
| 31 | 034962 | Angled End Element Bracket (6 required) |
| 32 | 034963 | Element Support Bracket Assembly (3 required on each rack) |
| 33 | 034961 | Straight Support Bracket (2 required) |
| 34 | 034981 | Element Assembly (4 required each quick-fix rack) |
| 35 | 034964 | Top Element Rack Front Panel (2 required) |
| 36 | 033779 | Screw (5 required on each rack) |
| 37 | 034965 | Bottom Element Rack Front Panel (2 required) |
| 38 | 033779 | Screw (5 required on each rack) |
| 39 | 033786 | Ceramic Sleeve (6 required) |
| 40 | 034978 | Element Left Side Panel |
| 41 | 033771 | Screw (4 required) |
| 42 | 035346 | Door Assembly (2 required) |
| 43 | 035349 | Slotted Bolt (4 required one each side of each door assembly) |
| 44 | 035351 | Washer (4 required one each side of each door assembly) |
| 45 | 035350 | Allen Bolt (4 required one each side of each door assembly) |