

Unit Information

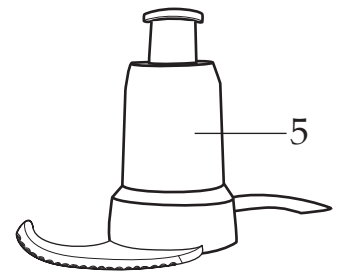
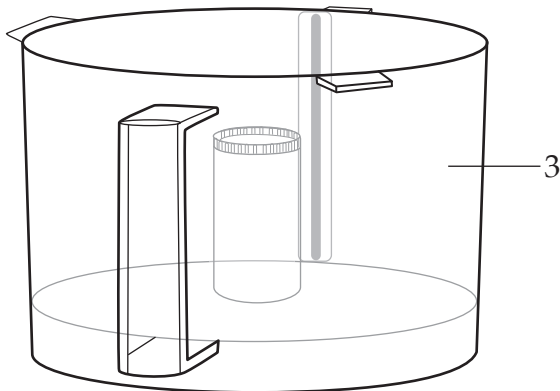
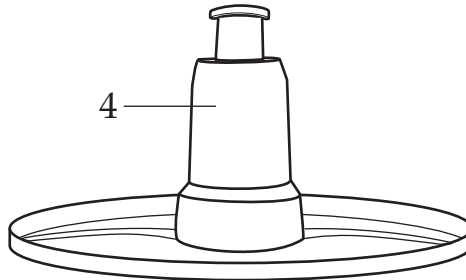
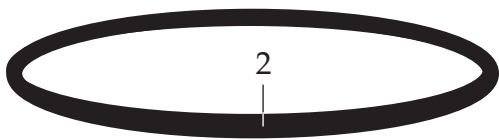
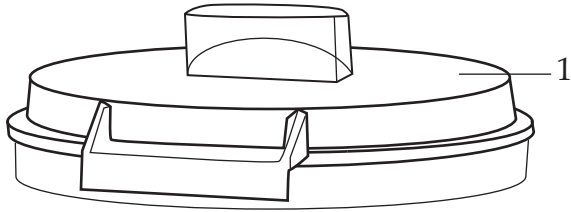
5 Amps MAX

¾ HP Motor

5 Yr Motor - 2 Yr Parts & Labor Warranty

WARING COMMERCIAL®

2.5-Quart Sealed Food Processor WFP11SW

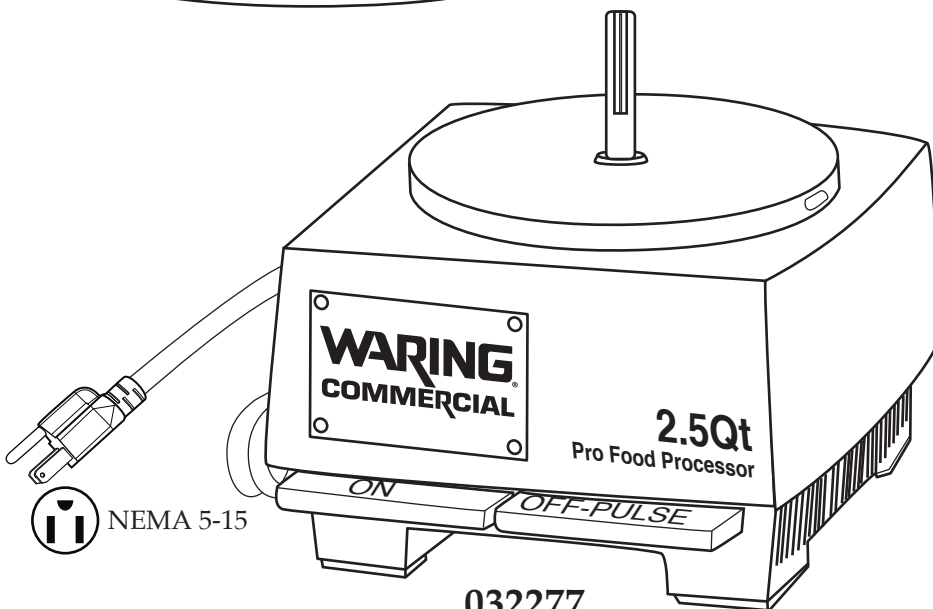


YYMMDD

↑
Date Code Location

YY|MM|DD

year year | month month | day day



NEMA 5-15

032277
Base Unit Assy.

Illustration #	Part #	Description
1	032416	Flat Cover
2	032282	Cover Seal
3	032283	Bowl
4	032417	Whipping Disc
5	032285	Serrated S Blade

Internal Components

