

Unit Information

Limited 1 Year Warranty

50-60Hz – 800 Watts – 6 Amps.

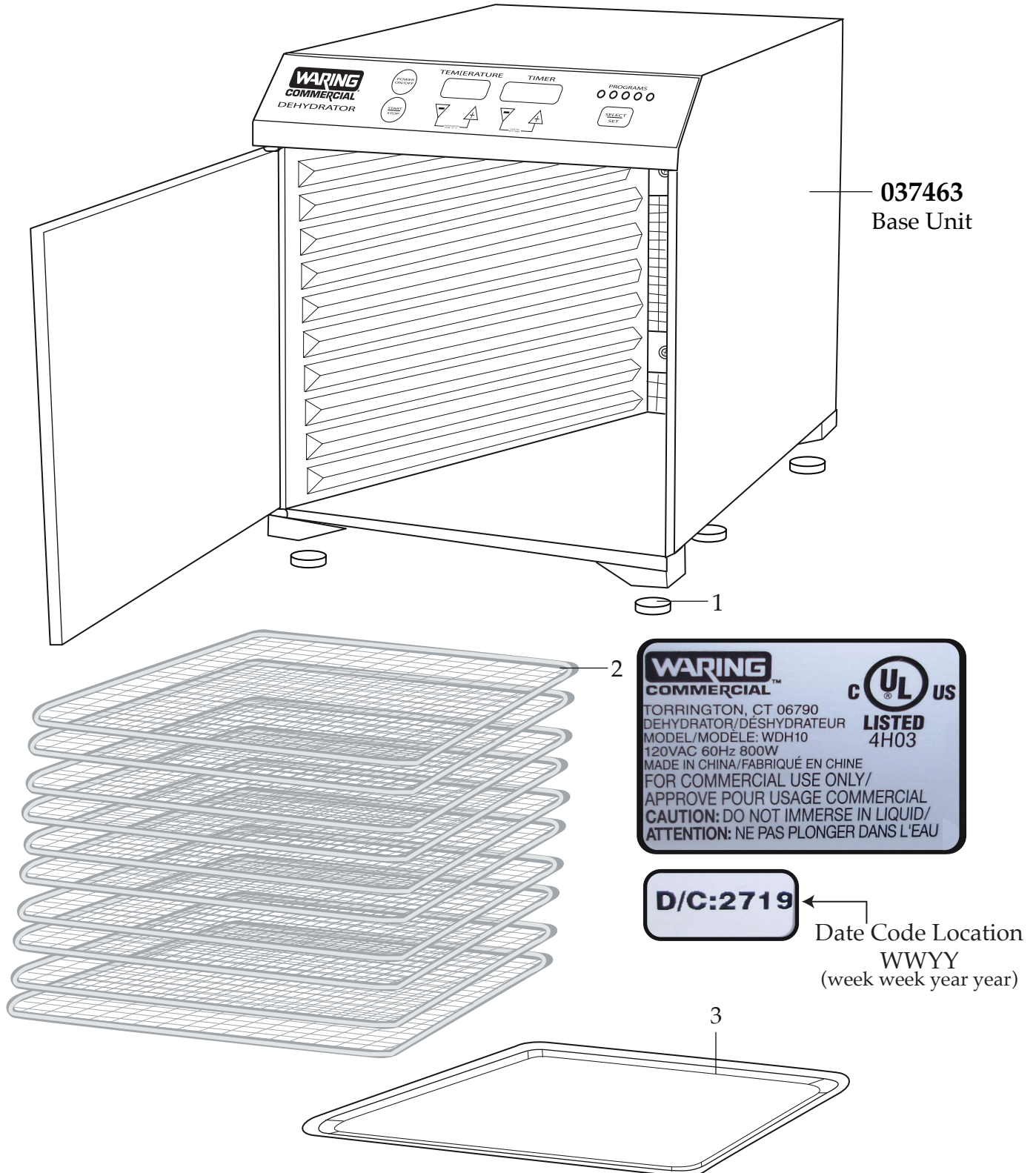
Adjustable Temperature Range
90°F - 176°F (32°C - 80°C)

Timer Up To 40 Hours

WARING COMMERCIAL

10 Tray Food Dehydrator

WDH10



037463
Base Unit

WARING COMMERCIAL™ **UL US LISTED 4H03**
TORRINGTON, CT 06790
DEHYDRATOR/DÉSHYDRATEUR
MODEL/MODELE: WDH10
120VAC 60Hz 800W
MADE IN CHINA/FABRIQUÉ EN CHINE
FOR COMMERCIAL USE ONLY/
APPROUVE POUR USAGE COMMERCIAL
CAUTION: DO NOT IMMERSE IN LIQUID/
ATTENTION: NE PAS PLONGER DANS L'EAU

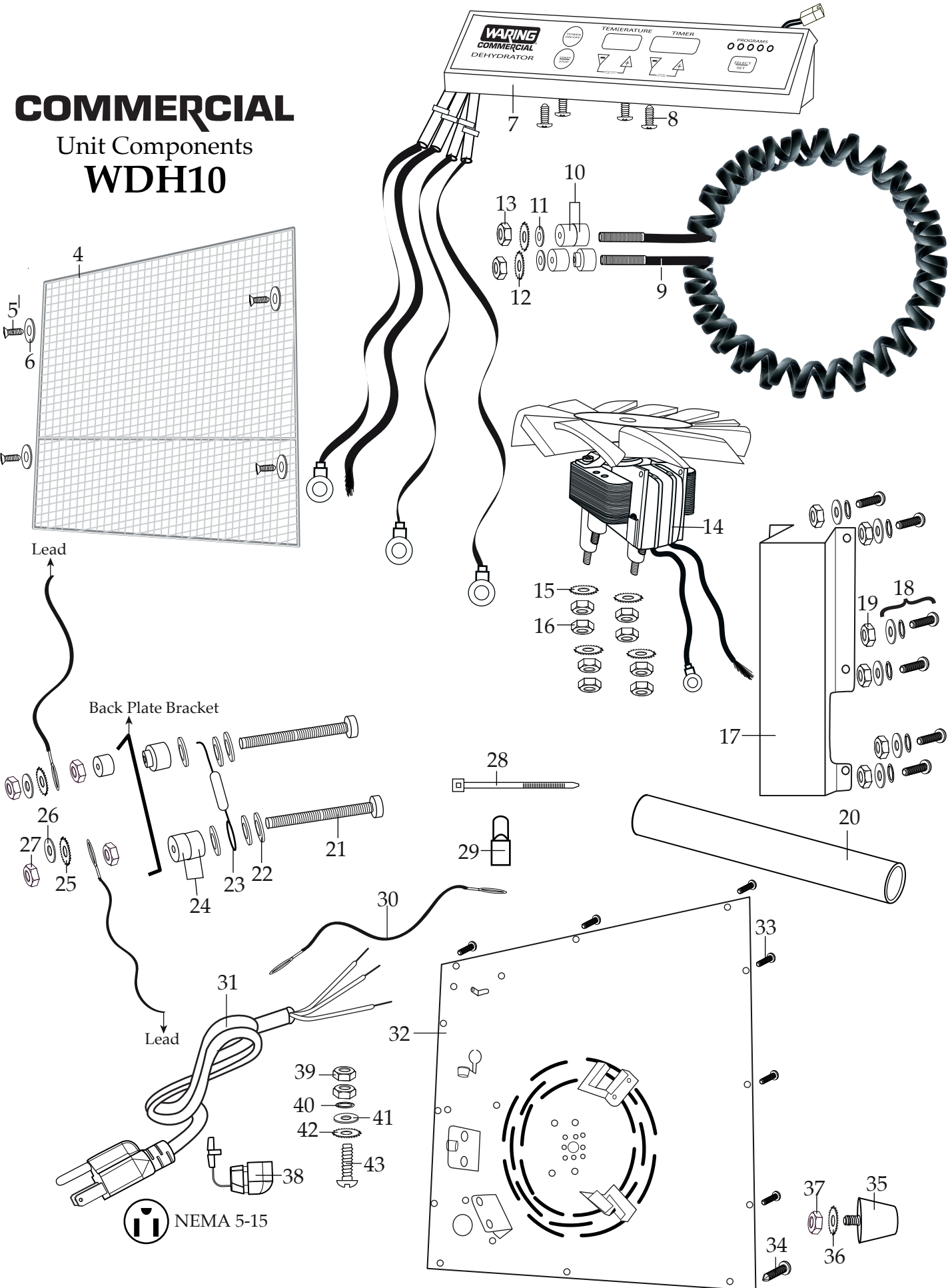
D/C:2719

← Date Code Location
WWYY
(week week year year)

COMMERCIAL

Unit Components

WDH10



Illustration#	Part#	Description
1	037448	Foot (4 required)
2	037462	Drying Tray (10 required)
3	037461	Drip Tray
4	037441	Rear Screen
5	037449	Screw (4 required)
6	003507	Washer (4 required)
7	037439	Control Panel Assembly
8	037440	Screw (4 required)
9	038300	Heater
10	037455	Ceramic Insulator Set (2 required)
11	037458	Washer (2 required)
12	037158	Lock Washer (2 required)
13	037453	Hex Nut (2 required)
14	038299	Motor
15	037158	Lock Washer (4 required)
16	037453	Hex Nut (8 required)
17	037442	Wiring Cover
18	037443	Screw, Washer and Spring Washer (6 required)
19	037453	Hex Nut (6 required)
20	037446	6" Rubber Sleeve
21	037457	Screw (2 required)
22	037458	Washer (6 required)
23	038303	Thermal Cut Off
24	037455	Ceramic Insulator Set (2 required)
25	037158	Lock Washer (2 required)
26	037458	Washer (2 required)
27	037453	Hex Nut (4 required)
28	013731	Wire Ties (5 required)
29	012409	Small Crimp Connector
30	038302	Blue Lead Assembly
31	037460	Cord

Illustration#	Part#	Description
32	037464	Back Plate Assembly
33	037452	Screw (9 required)
34	037451	Screw (3 required)
35	037447	Counter Stop
36	037158	Lock Washer
37	037453	Hex Nut
38	035476	Strain Relief
39	037453	Hex Nut (2 required)
40	037444	Spring Washer
41	037458	Washer
42	037158	Lock Washer
43	038304	Ground Screw