

Unit Information

50/60Hz – 11.25 Amps – Watts 2700
Toasts 360 Slices per hr.

WARING COMMERCIAL

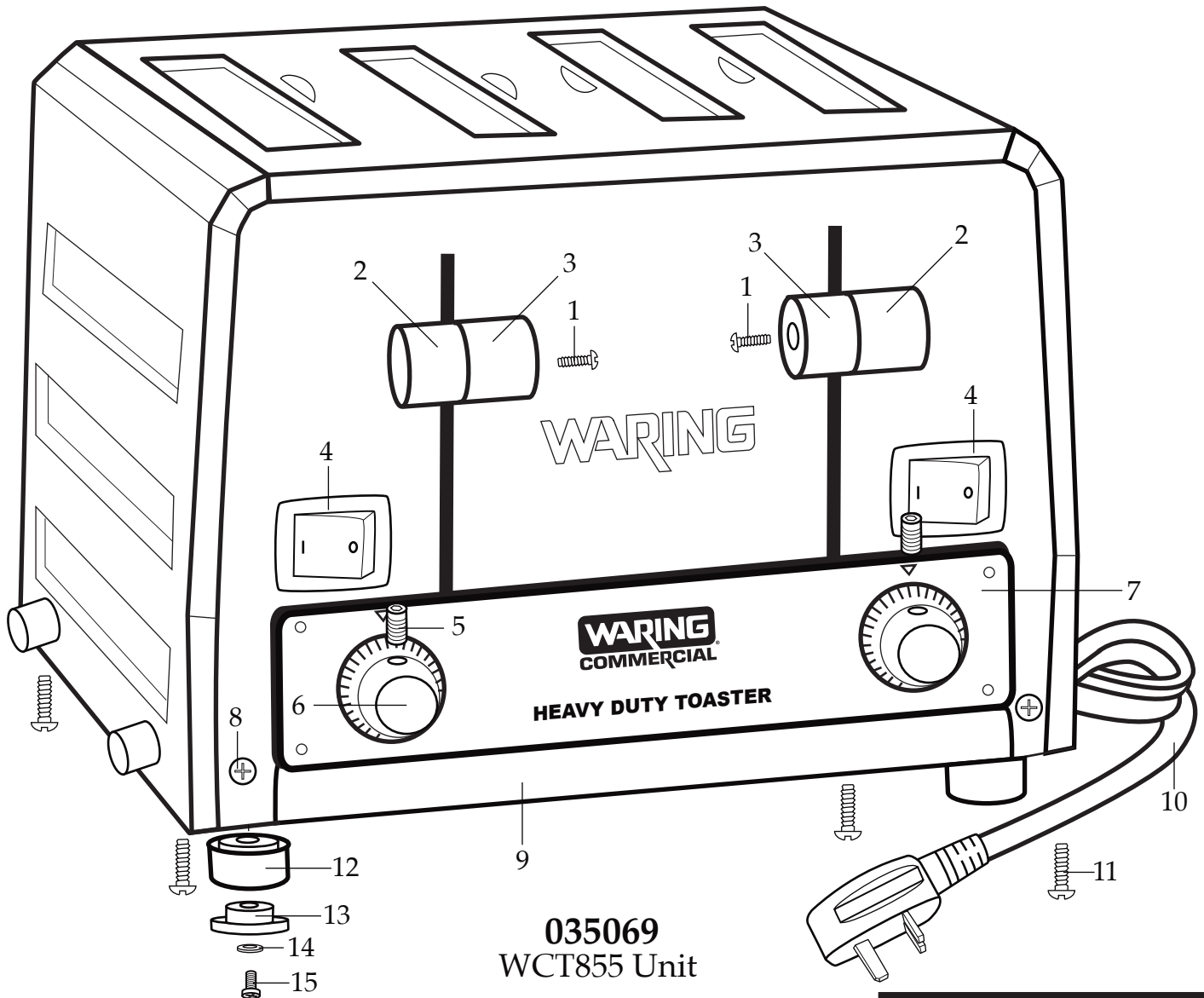
240 Volt Heavy Duty Toaster
Switchable bread/bagel controls,
four 1½" extra-wide slots;

WCT855



CAUTION: DO NOT IMMERSE IN WATER.
ATTENTION: NE PAS IMMERGER DANS L'EAU
WARNING: TO PREVENT ELECTRIC SHOCK, UNPLUG BEFORE CLEANING.
AVERTISSEMENT: AFIN DE RÉDUIRE LE RISQUE D'ÉLECTROCUTION, DÉBRANCHER L'APPAREIL AVANT DE LE NETTOYER.
APPROVED FOR COMMERCIAL USE/APPROUVÉ POUR USAGE COMMERCIAL
SERIAL / NO. SÉRIE :

Date Code Location
YY|MM|DD
year year | month month | day day



035069
WCT855 Unit

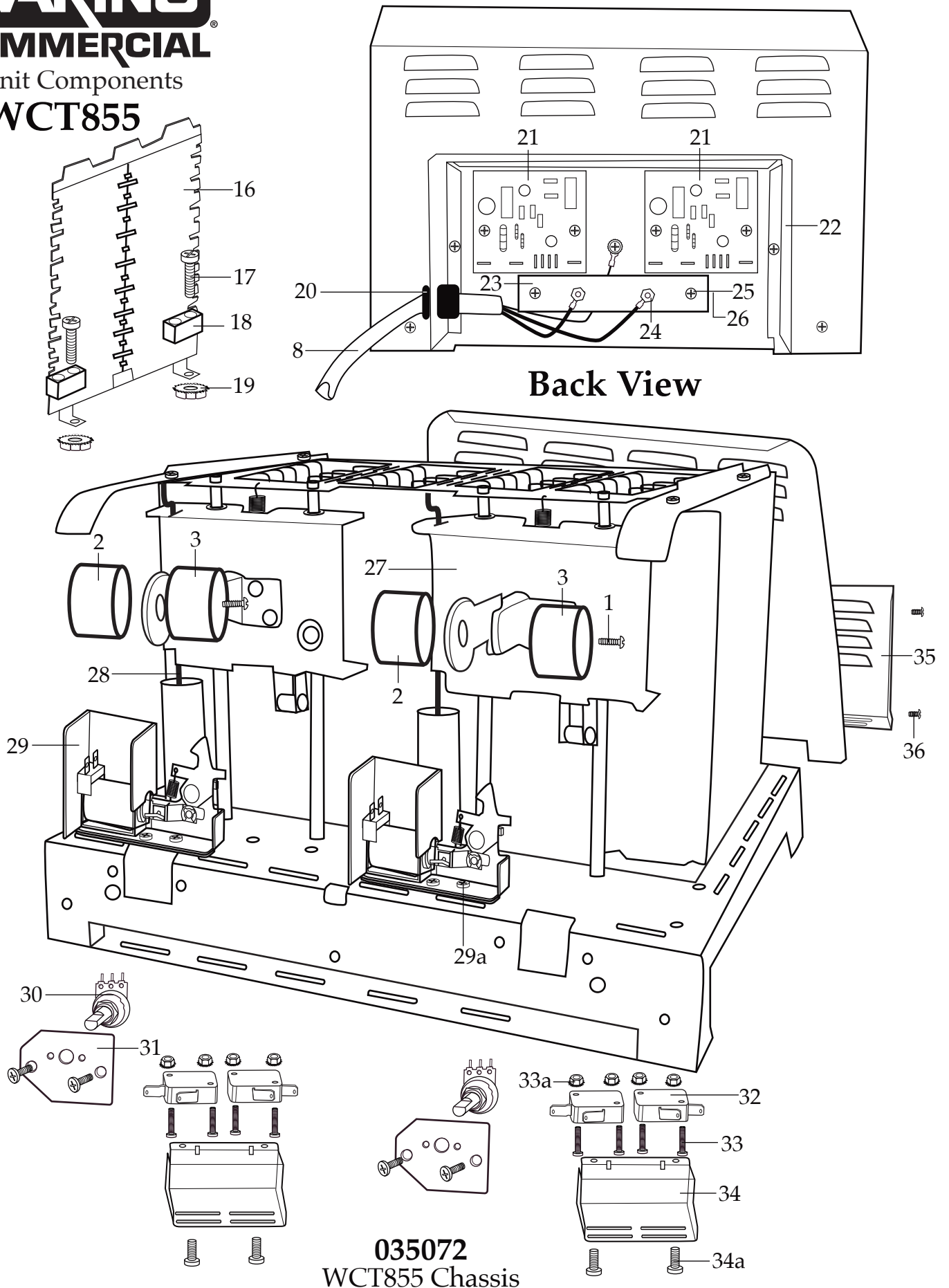
Plug Configuration



WARING COMMERCIAL®

Unit Components

WCT855



035072
WCT855 Chassis

Illustration #	Part #	Description
1	027172	Screw (2 required)
2	027170	Push Knob (flat outer center 2 required)
3	027171	Push Knob (screw hole in outer center 2 required)
4	033455	Toggle Switch (2 required)
5	027173	Set Screw (2 required)
6	027174	Browning Control Knob (2 required)
7	502939	Front Panel Assembly
8	033460	Screw (2 required)
9	033459	Crumb Tray
10	035073	Cord Set
11	027177	Screw (4 required)
12	027178	Foot (4 required)
13	027179	Rubber Foot (4 required)
14	027180	Washer (4 required)
15	027181	Screw (4 required)
16	035070	Element 16-6102 (4 required)
	035071	Element 16-6192 (2 required)
17	027202	Screw (12 required)
18	027203	Ceramic Insulator Bracket (12 required)
19	027205	Hex Nut with Lock Washer (12 required)
20	027224	Strain Relief
21	033454	PC Board (2 required)
22	027218	Power Box Body
23	027216	Power Terminal Board
24	027215	Hex Nut (4 required)
25	027213	Screw (2 required)
26	027214	Power PCB Holder (2 required)
27	502941	Moving Bracket Assembly (2 required)
28	027191	Damper Cylinder Rod (2 required)

Illustration #	Part #	Description
29	027192	Locking Mechanism (2 required)
29a	027193	Screw (2 required for each locking mechanism)
30	027198	Rheostat (2 required)
31	027199	Insulated Bracket Plate (2 required)
32	033456	Micro Switch (4 required)
33	034769	Screw (2 required for each mico switch)
33a	027197	Hex Nut (2 required for each mico switch)
34	034767	Switch Cover
34a	034768	Screw (2 required for each switch cover)
35	027184	Power Box Cover
36	033460	Screw (4 required)

Note When Changing Elements: Bad elements should be removed one at a time so there is no confusion on what element goes where because some elements are not all the same.

