

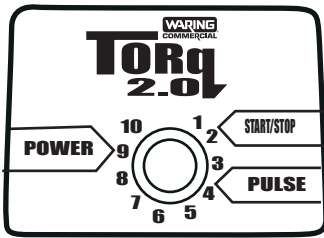
Unit Information

120 volts – 60 Hz – 13 Amp
 Variable Speed From 1,000 to 17,000 Rpm's
 Limited 2 Year Motor Warranty & 1 Year
 Parts and Labor

WARING COMMERCIAL TORq 2.0 Blender

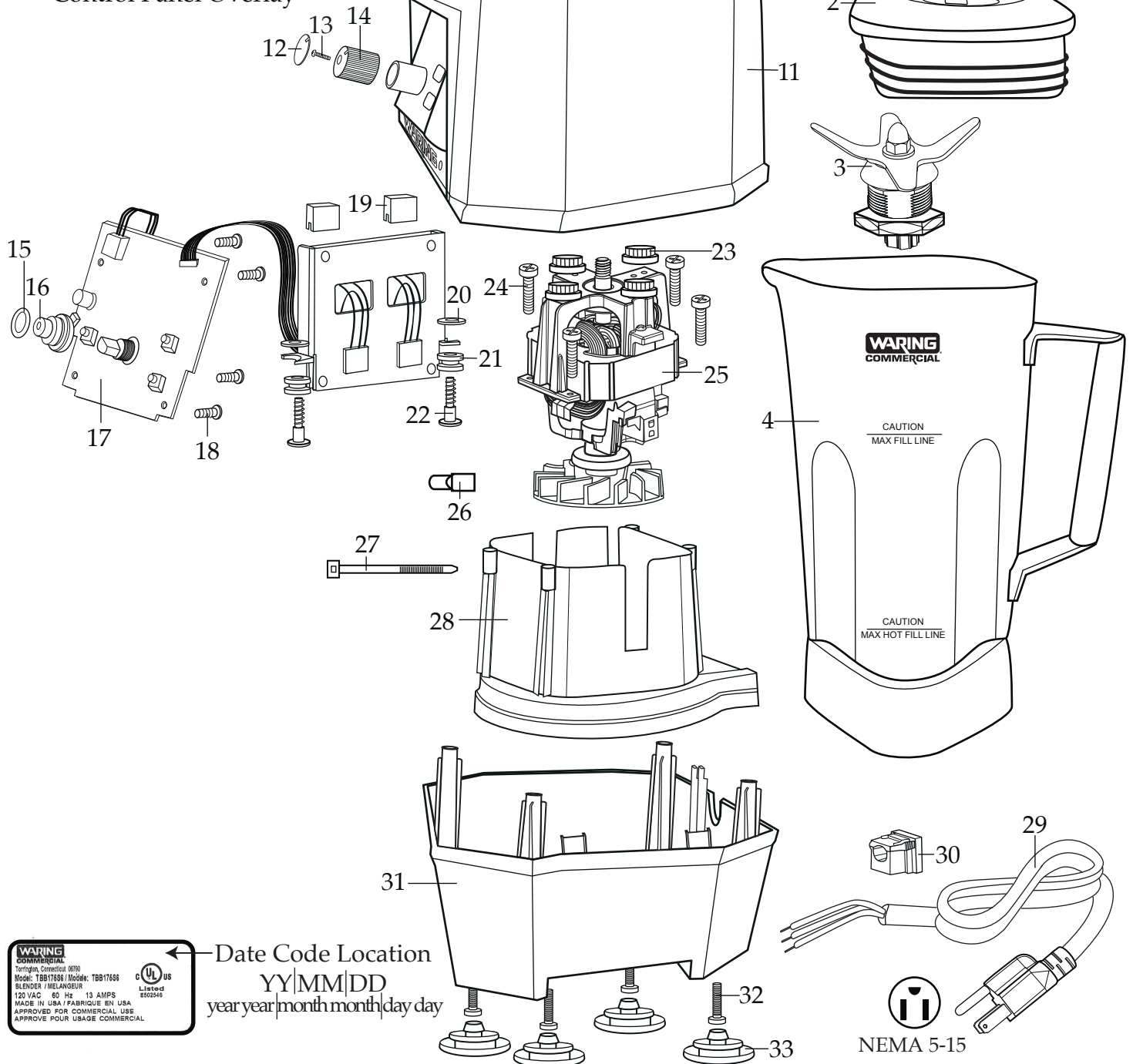
Variable Speed Control with
 64 oz. Stainless Steel Container

TBB175S6



035299

Control Panel Overlay

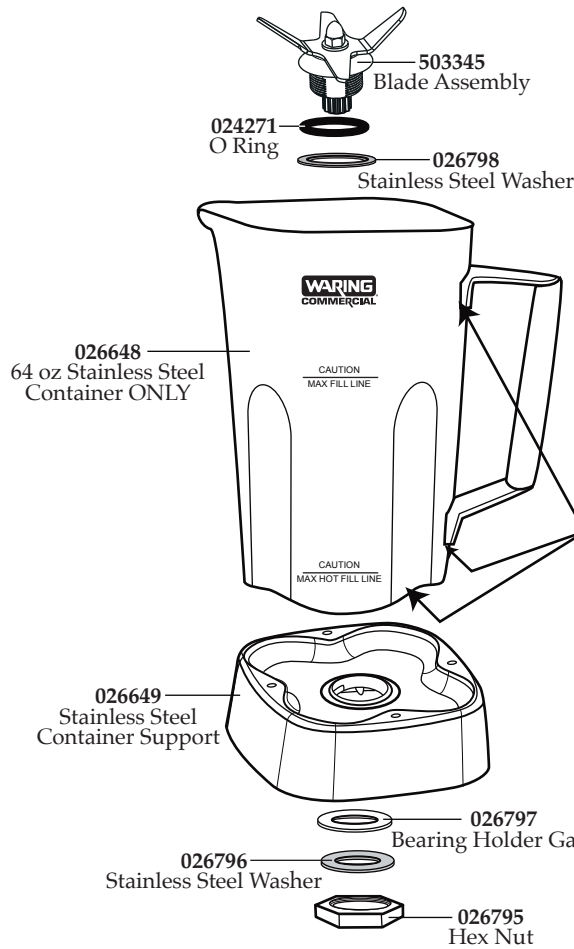


Date Code Location
 YY|MM|DD
 year year | month month | day day



Illustration#	Part#	Description
1	026425-E	Eastman Jar Lid Cover
2	026242-V	Vinyl Jar Lid
3	032483	Blending Assembly Kit
4	503346	64 oz. Stainless Steel Container with Blending Assembly
5	035885	Jar Pad
6	035085	Hole Plug (4 required)
7	034275	Sems (4 required)
8	034273	B Gasket (4 required)
9	035251	Drive Coupling
10	037033	Coupling Washer <i>(on units after 11/15/2019)</i>
11	503460-175	Top Housing Assembly
12	035757	Knob Cover
13	026267	Screw
14	036498	Speed Control Knob
15	018389	O Ring
16	036499	Speed Control Knob Insert
17	035342	Control Panel
18	035090	Screw (4 required)
19	034900	PCB Cushion (2 required)
20	013604	Washer (2 required)
21	034904	Rubber Pad (2 required)
22	034902	Shoulder Screw (2 required)
23	034272	A Gasket (4 required)
24	034274	Screw (4 required)
25	035815 034276	Chiaphua Motor <i>(on units after 6/4/2021)</i> Motor
26	012409	Small Crimp Connectors (5 required)
27	013731	Cable Ties (2 required)
28	503483	Motor Housing with Dampeners
29	035124	Cordset
30	033619	Strain Relief
31	035079 503480	Bottom Housing ONLY Bottom Housing with Feet

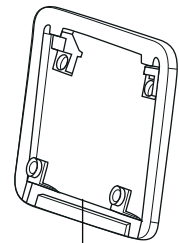
Illustration#	Part#	Description
32	034274	Screw (4 required)
33	035088	Foot (4 required)



Notes:
Sealant applied all round these indicated areas.
Dow Corning Sealant RTV 733
Torque 100-125 in/lbs.
Lubricant applied to O Ring
Dow Corning 200 (R) Fluid

Part No Longer Used

(last used 1/11/2021)



035237
Control Housing Back Bezel

