

# WARING COMMERCIAL®

## TORq 2.0 Blender

Variable Speed Control with  
48 oz. Stainless Steel Container

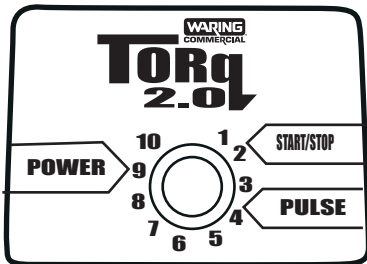
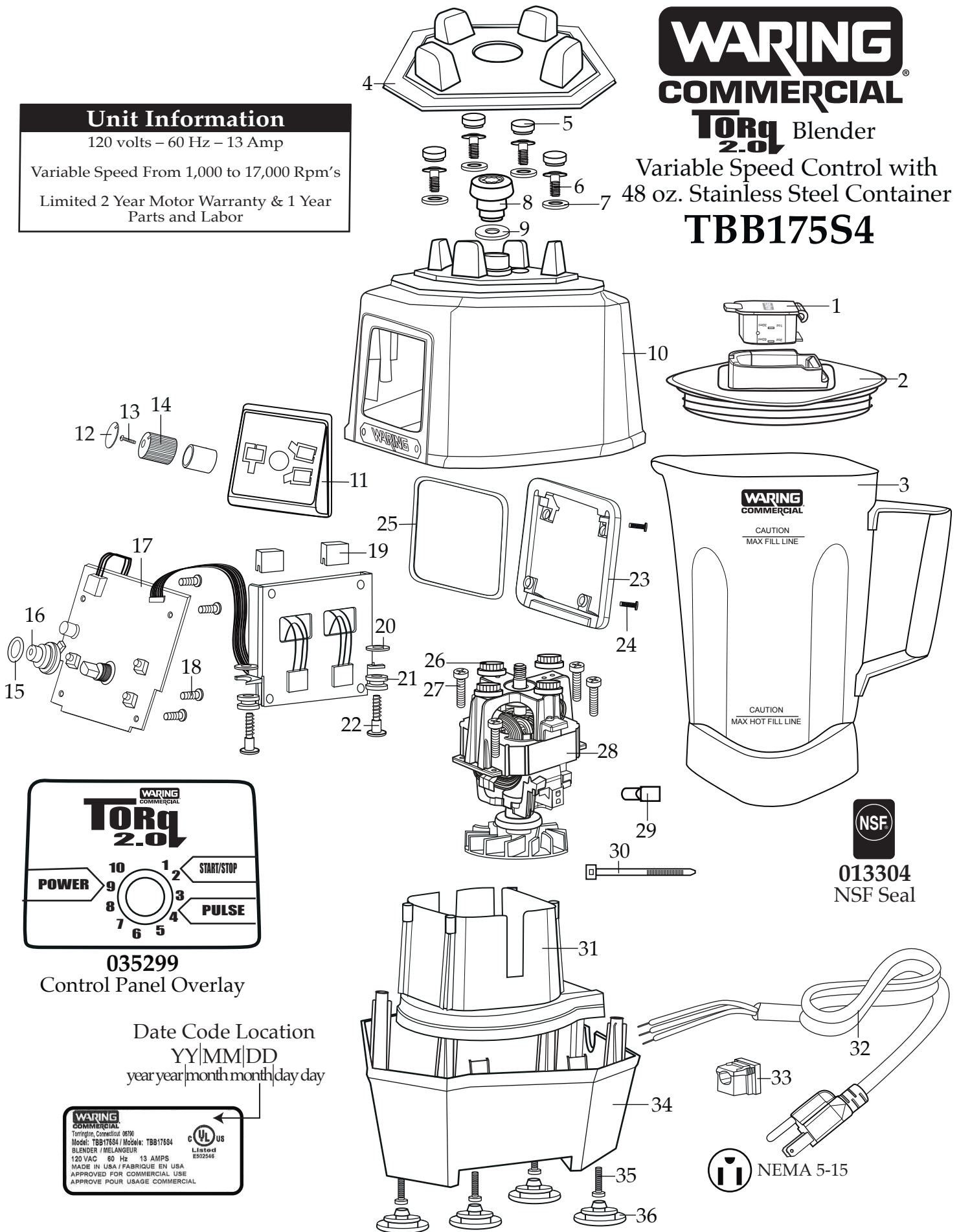
### TBB175S4

#### Unit Information

120 volts – 60 Hz – 13 Amp

Variable Speed From 1,000 to 17,000 Rpm's

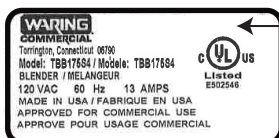
Limited 2 Year Motor Warranty & 1 Year  
Parts and Labor



035299

Control Panel Overlay

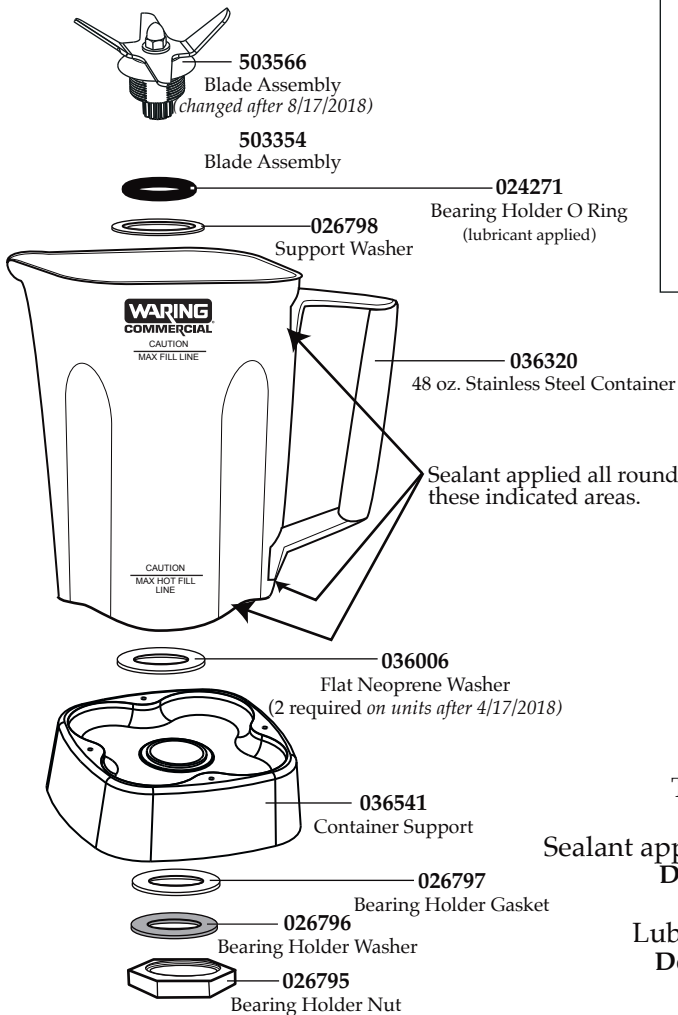
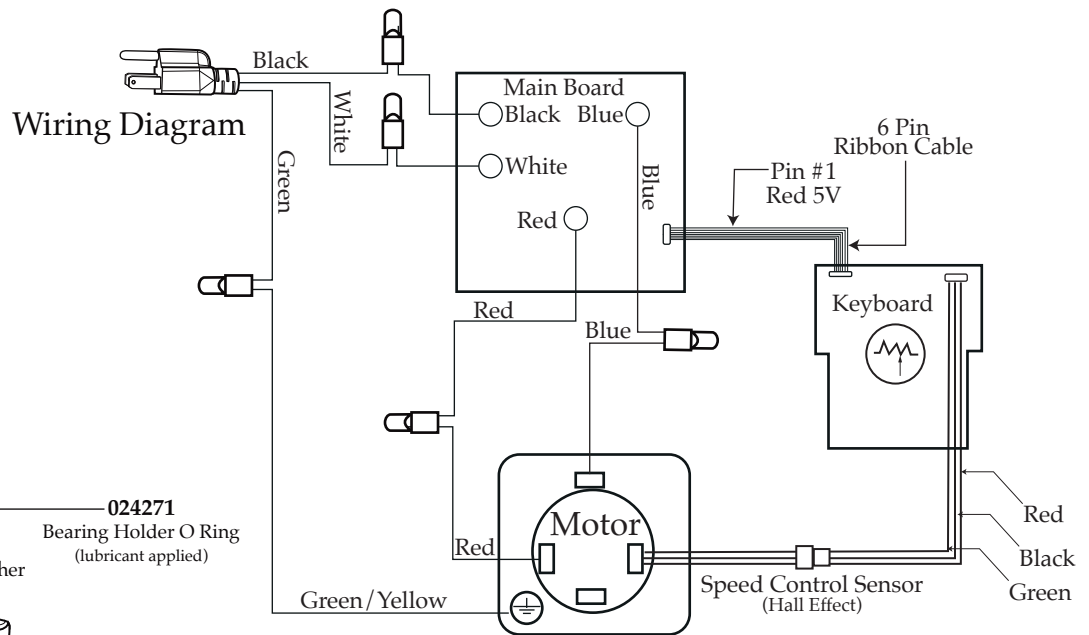
Date Code Location  
YY|MM|DD  
year|year|month|month|day|day



013304  
NSF Seal

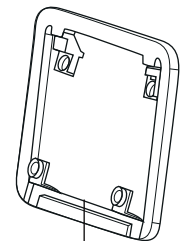
Illustration#	Part#	Description
1	035153	Eastman Jar Lid Cover
2	036319-V	Vinyl Jar Cover
3	036320	48 oz. Stainless Steel Container ONLY
	503515	48 oz. Stainless Steel Container Complete with Blending Assembly
4	035885	Jar Pad
5	035085	Hole Plug (4 required)
6	034275	Sems (4 required)
7	034273	B Gasket (4 required)
8	037034	Drive Coupling 2 Gen. (on units after 11/15/2019)
	035251	Drive Coupling
9	037033	Coupling Washer (on units after 11/15/2019)
10	503609	Top Housing with Badge (on units after 9/28/2022)
	503460-175	Top Housing Assembly
11	035281	Control Housing Front Bezel (on units after 9/28/2022)
12	035757	Knob Cover
13	026267	Screw
14	036498	Speed Control Knob
15	018389	O Ring
16	036499	Speed Control Knob Insert
17	035342	Control Panel
18	035090	Screw (4 required)
19	034900	PCB Cushion (2 required)
20	013604	Washer (2 required)
21	034904	Rubber Grommet (2 required)
22	034902	Sems (2 required)
23	035237	Control Housing Back Bezel (on units after 9/28/2022)
24	035090	Screw (4 required)
25	038576	Top Housing Control Seal (on units after 9/28/2022)
26	034272	A Gasket (4 required)
27	034274	Screw (4 required)
28	035815	Chiaphua Motor (on units after 6/4/2021)
	034276	ECM Motor
29	012409	Small Crimp Connectors (5 required)
30	013731	Cable Ties (6 required)

Illustration#	Part#	Description
31	503483	Motor Housing with Dampeners
32	035124	Cordset
33	033619	Strain Relief
34	503480 035079	Bottom Housing with Feet Bottom Housing ONLY
35	034274	Screw (4 required)
36	035088	Foot (4 required)



**Part No Longer Used**

(last used 9/24/2020)



035237

Control Housing Back Bezel

**Notes:**

Torque 100-125 in / lbs

Sealant applied all around indicated areas.  
**Dow Corning Sealant RTV 733**

Lubricant applied to O Ring  
**Dow Corning 200 (R) Fluid**