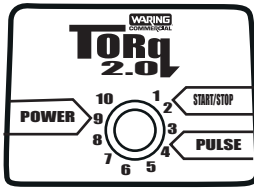


WARING COMMERCIAL

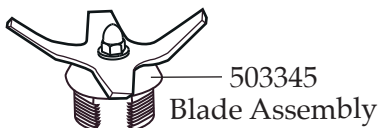
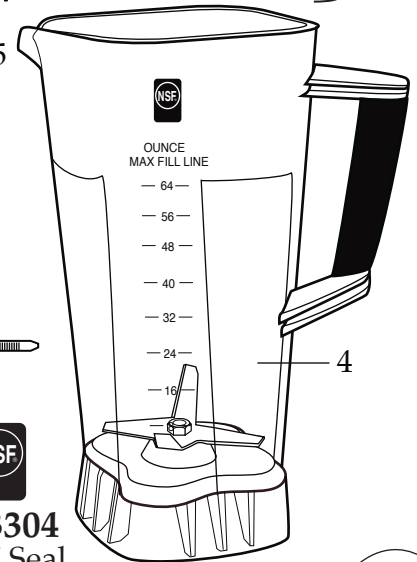
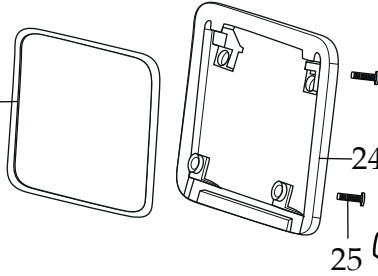
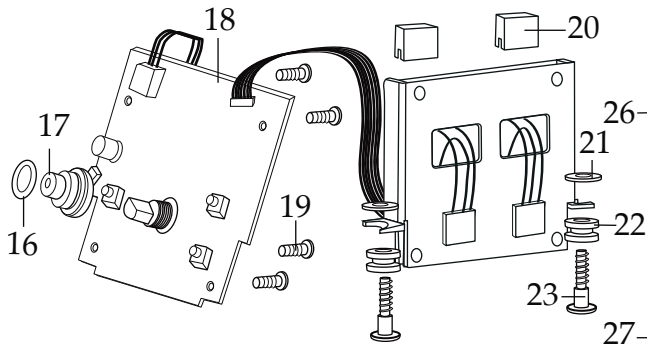
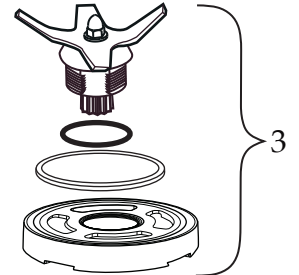
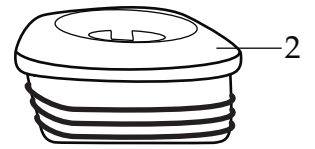
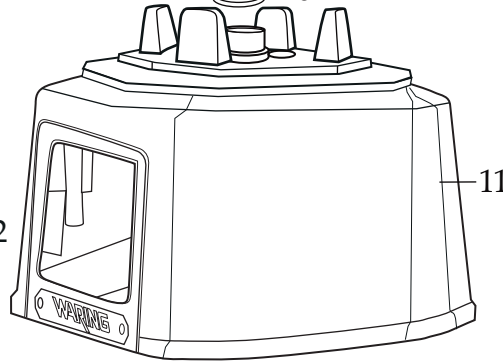
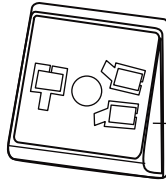
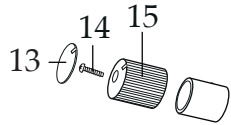
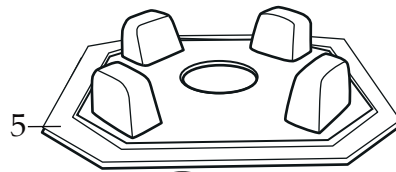
TORq Blender

Variable Speed Control with a 64 oz. Copolyester Container

TBB175P6



035299
Control Panel Overlay



503345
Blade Assembly



024271
Bearing Holder O Ring

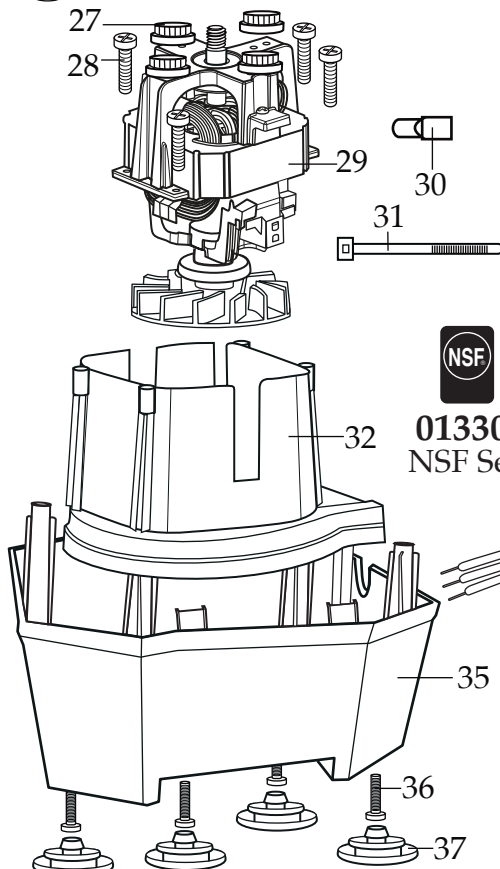
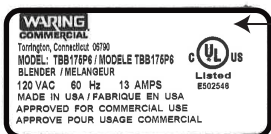


024268
Nut Gasket

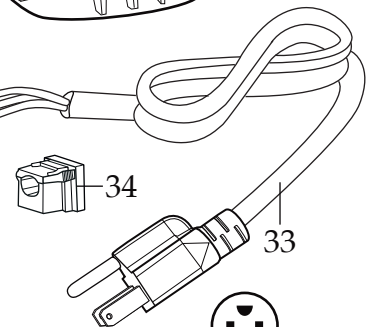


029631
Bearing Holder Nut

Date Code Location
YY|MM|DD
year|year|month|month|day|day



013304
NSF Seal

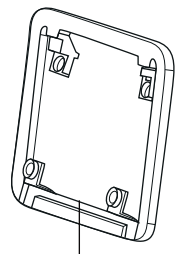


NEMA 5-15

Illustration#	Part#	Description
1	026425-E	Eastman Jar Lid Cover
2	026424-V	Vinyl Jar Lid
3	031060	Blending Assembly Kit
4	026423-E 503347	64 oz. Container ONLY 64 oz. Container with Blending Assembly
5	035885	Jar Pad
6	035085	Hole Plug (4 required)
7	034275	Sems (4 required)
8	034273	B Gasket (4 required)
9	037034 035251	Drive Coupling 2 Gen. <i>(on units after 11/15/2019)</i> Drive Coupling
10	037033	Coupling Washer <i>(on units after 11/15/2019)</i>
11	503609 503460-175-E	Top Housing with Badge <i>(on units after 9/28/2022)</i> Top Housing Assembly
12	035281	Control Housing Front Bezel <i>(on units after 9/28/2022)</i>
13	035757	Knob Cover
14	026267	Screw
15	036498	Speed Control Knob
16	018389	O Ring
17	036499	Speed Control Knob Insert
18	035342	Control Panel
19	035090	Screw (4 required)
20	034900	PCB Cushion (2 required)
21	013604	Washer (2 required)
22	034904	Rubber Grommet (2 required)
23	034902	Sems (2 required)
24	035237	Control Housing Back Bezel <i>(on units after 9/28/2022)</i>
25	035090	Screw (4 required)
26	038576	Top Housing Control Seal <i>(on units after 9/28/2022)</i>
27	034272	A Gasket (4 required)
28	034274	Screw (4 required)
29	035815	Chiaphua Motor with Sensor
30	012409	Small Crimp Connectors (5 required)

Illustration#	Part#	Description
31	013731	Cable Ties (6 required)
32	503483	Motor Housing with Dampeners
33	035124	Cordset
34	033619	Strain Relief
35	035079 503480	Bottom Housing Bottom Housing with Feet
36	034274	Screw (4 required)
37	035088	Foot (4 required)

Part No Longer Used
(last used 12/18/2019)



035237

Control Housing Back Bezel

Wiring Diagram

