

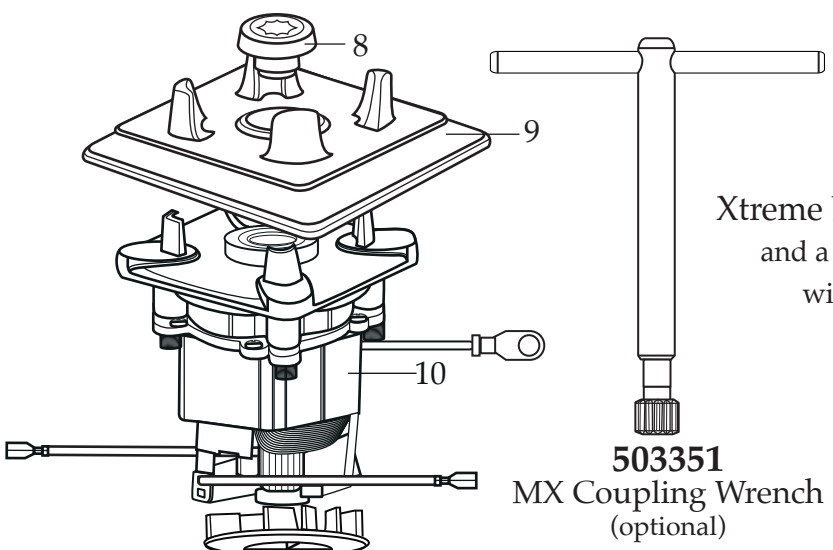


Xtreme Blenders with Electronic Membrane Keypad and a 30 Second Electronic Countdown Timer with a 64 oz. Stackable Raptor Container

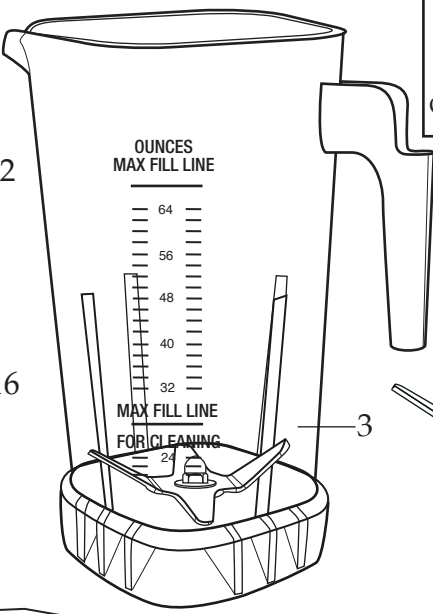
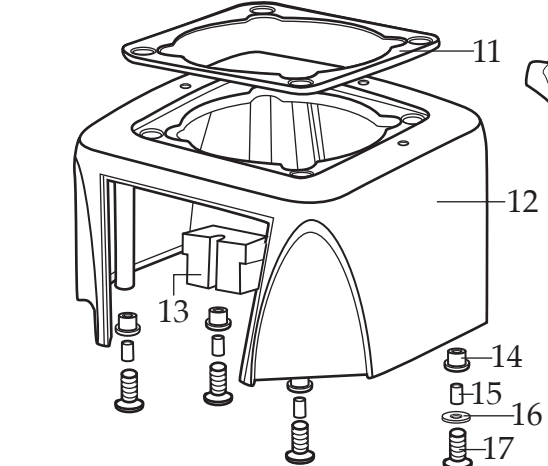
# MX1100XTX SUP1100XTX

Superior / US Foods (last built 9/5/2014)

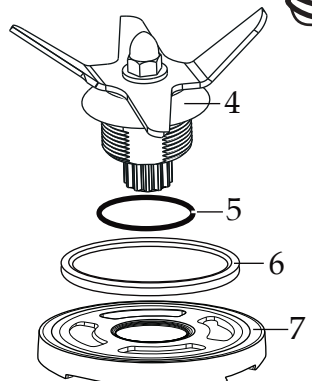
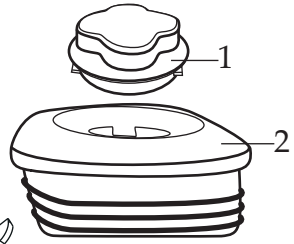
Unit Information	
Limited 3 Year Motor Warranty Two Year Parts & Labor	
60Hz - 13 Amps	
3 HP Motor - 30,000+ RPM's	
One Piece Dishwasher Safe Removable Jar Pad	



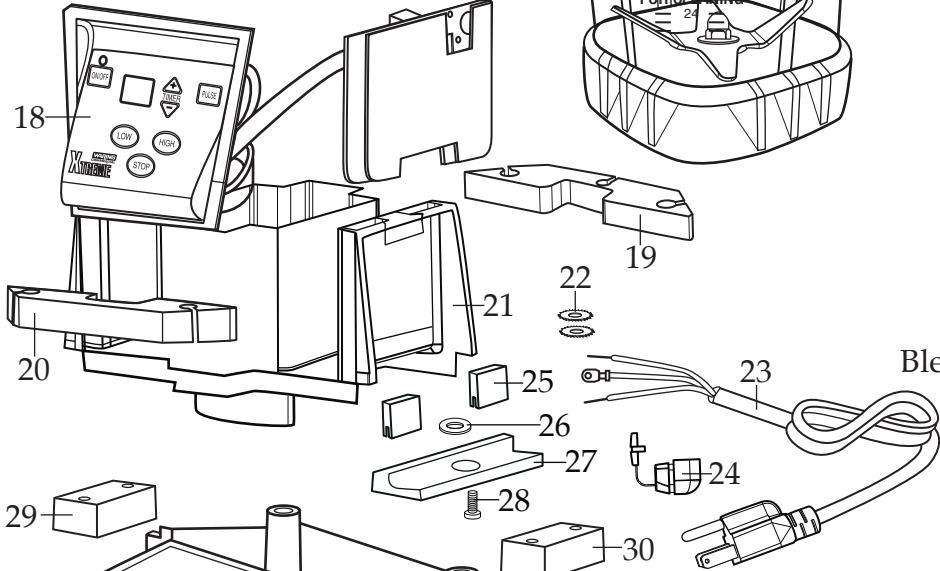
**503351**  
MX Coupling Wrench  
(optional)



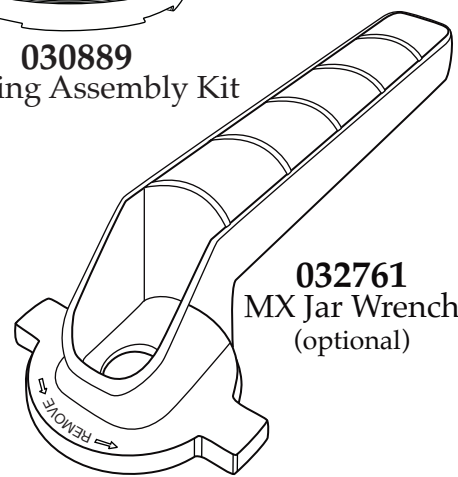
**013304**  
NSF Seal



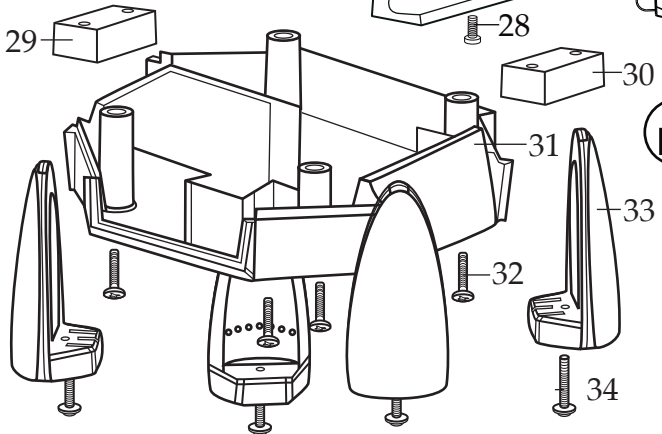
**030889**  
Blending Assembly Kit



NEMA 5-15



**032761**  
MX Jar Wrench  
(optional)



← Date Code Location  
YY|MM|DD  
year year | month month | day day

<b>Catalog</b>	<b>Model</b>
MX1100XTX SUP1100XTX	MX1100XT41

**WARING**  
**COMMERCIAL**  
314 Ella T. Grasso Ave.  
Torrington, CT 06790  
Tele. 1-800-269-6640  
Fax 860-496-9017  
www.waringcommercialproducts.com

<b>Illustration#</b>	<b>Part#</b>	<b>Description</b>
1	026425-E	Jar Lid Cover
2	026424-V	Vinyl Jar Lid <i>(changed after 12/17/2012)</i>
3	503326	64 oz. Stackable Raptor Container ONLY
	503398	64 oz. Stackable Raptor Container with Blending Assembly <i>(on units after 2/14/2011)</i>
	503350	64 oz. Stackable Container with Blending Assembly
4	503397	Blade Assembly <i>(changed after 2/14/2011)</i>
5	024271	Buna O Ring
6	024268	Rubber Nut Gasket
7	029631	Bearing Nut
8	503601	Sq. Drive Coupling with Adapter <i>(on units after 3/29/2022)</i>
	503604	Sq. Drive Coupling with Adapter 2 Gen. <i>(changed after 5/7/2021)</i>
	028538	Drive Coupling
9	026442	Jar Pad
10	035396	Leili Motor without Sensor <i>(on units after 6/13/2017)</i>
	028100	ECM Motor without Sensor
11	038278	Dampening Plate Gasket <i>(on units after 8/25/2022)</i>
	026437	Dampening Plate Gasket
12	028032-09	Top Housing /black
13	028541	Motor Foam (2 required)
14	026439	Dampening Plate Bushing (4 required)
15	038486	Dampening Plate Sleeve (4 required <i>on units after 8/25/2022</i> )
	026453	Dampening Plate Sleeve (4 required)
16	026459	Washer
17	028929	Sems (4 required)
18	036398	Control Panel with Interlock <i>(on units after 8/6/2018)</i> comes with key board-main board
	029810	Soft Start Control Panel (use 036398)
19	028248	Top Housing Foam Rear Baffle
20	028249	Top Housing Foam Front Baffle
21	036814	Motor Housing 2.78" <i>(on units after 6/14/2019)</i>
	028240-67	Motor Housing <i>(on units after 6/13/2017)</i>
	028240	Motor Housing
22	002943	Washer (2 required)
23	026925	Cord Set
24	007556	Strain Relief
25	034900	PCB Cushion (2 required)
26	037232	Neoprene Washer
27	037007	PCB Mounting Bracket
28	013768	Screw
29	028247	Bottom Housing Foam Baffle

Catalog Model  
 MX1100XTX MX1100XT41  
 SUP1100XTX

**WARING**  
**COMMERCIAL**  
 314 Ella T. Grasso Ave.  
 Torrington, CT 06790  
 Tele. 1-800-269-6640  
 Fax 860-496-9017  
 www.waringcommercialproducts.com

Illustration#	Part#	Description
30	028542	Foam Baffle
31	028241-09-X	Bottom Housing /black
32	012505	Screw (4 required)
33	026430	Corner Post (4 required)
34	028928	Sems (4 required)

