



"MAKE THIS STEEL RITE!"

Toll Free: 855-855-0399 Email: info@atosausa.com
www.atosa.com | www.atosausa.com
 California, Colorado, Florida, Georgia, Illinois,
 Massachusetts, New Jersey, Ohio, Texas, Washington

18" Stainless Steel Hand Sink

MODELS:
MRS-HS-18(W)

Standard Features

- 18 Gauge, 300 series stainless steel
- 6" Backsplash with 2" return
- Goose neck faucet with wrist blade handles included
- 1-1/2" drain opening
- 1-1/8" faucet holes on 4" centers
- 1-1/2" waste drain opening
- Strainer and faucet included
- Z-clip mounting bracket
- Easy to clean and sanitize

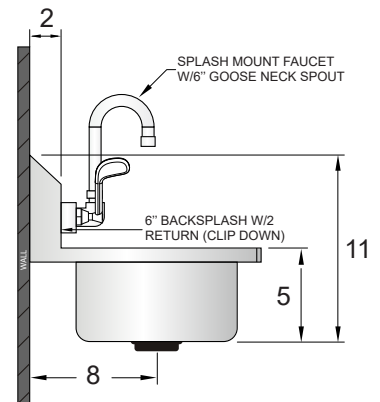
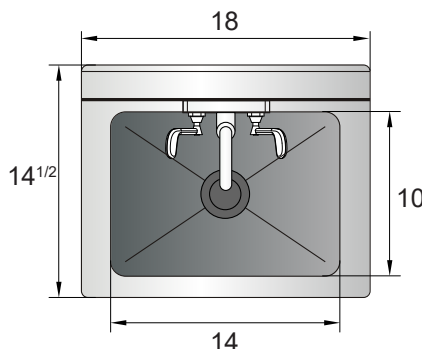
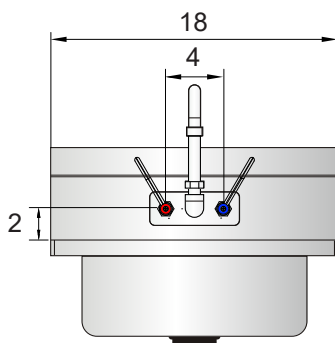


Optional Accessories

- Side splashes. Item#: MRS-HS-18SP

Model	Ga.	Bowl Size(inch)	Exterior Dimensions(inch)	Net Weight(lbs)
MRS-HS-18(W)	18	14 × 10 × 5	18 × 14 1/2 × 11	13

PLAN VIEW



90 DAYS WARRANTY ON WORKMANSHIP

Atosa International
www.atosa.com

Atosa USA
www.atosausa.com

Atosa is continuously improving products. Specifications are subject to change without notice. 164

