



**“WE MAKE THE KITCHEN BETTER!”**

Toll Free: 855-855-0399 Email: [info@atosausa.com](mailto:info@atosausa.com)  
[www.atosa.com](http://www.atosa.com) | [www.atosausa.com](http://www.atosausa.com)  
California, Colorado, Florida, Georgia, Illinois,  
Massachusetts, New Jersey, Ohio, Texas, Washington

# Glass Door Reach-In Freezers

## Standard Features

- Stainless steel exterior & interior
- LED interior lights
- Heavy duty Embraco compressor with environmentally friendly R290 refrigerant
- Dixell digital controller
- Maintains temperatures between -8°F – 0°F
- Self-closing door(s) with automatic stay open feature
- Recessed door handle
- Magnetic door gasket
- Double pane glass door
- Pre-installed casters
- NEMA-5-15P plug standard
- Four(4) pre-installed shelves per section

## Optional Accessories

- Extra shelves – includes 4 shelf clips per shelf

### MODELS:

MCF8701GR / MCF8703ES



**MCF8701GR**



**MCF8703ES**



**MCF8703ES**

For the best results of food preservation we recommend setting your freezer between -8 °F to 0 °F

1. Don't forget to leave the unit some room to breathe!
2. Please clean the condenser frequently to give the unit more fresh air.



2 YEAR PARTS AND LABOR WARRANTY (US ONLY)  
5 YEAR COMPRESSOR PART WARRANTY (US ONLY)



\*For confirmation and updates on the latest energy star models, please visit [energystar.gov](http://energystar.gov)\*



**"WE MAKE THE KITCHEN BETTER!"**

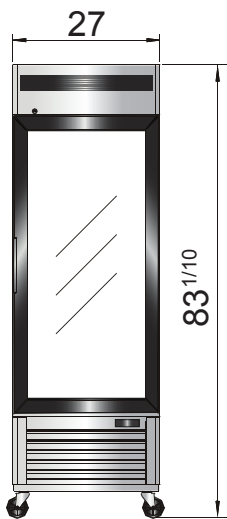
Toll Free: 855-855-0399 Email: info@atosausa.com  
 www.atosa.com | www.atosausa.com  
 California, Colorado, Florida, Georgia, Illinois,  
 Massachusetts, New Jersey, Ohio, Texas, Washington

## SPECIFICATIONS

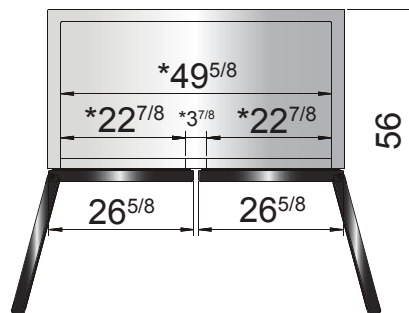
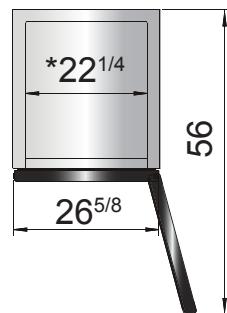
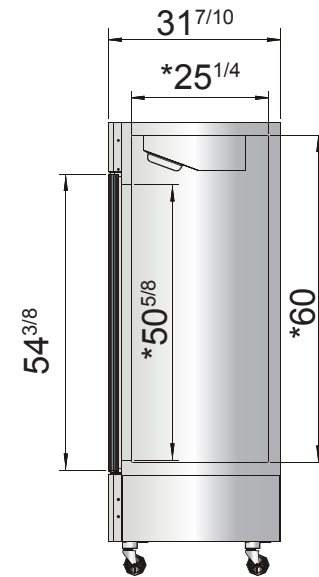
Models	Door	Capacity (Cu.Ft.)	Shelves	Casters (inch)	Amps (A)	Voltage (V/Hz/Ph)	HP	Refrigerant	Exterior Dimensions (inch)	Net Weight (lbs)	Gross Weight (lbs)
MCF8701GR	1	19.1	4	4	6.3	115/60/1	1/2	R290	27×31 <sup>7/10</sup> ×83 <sup>1/10</sup>	309	342
MCF8703ES	2	44.8	8	4	8.6	115/60/1	3/4	R290	54 <sup>2/5</sup> ×31 <sup>7/10</sup> ×83 <sup>1/10</sup>	498	553

## PLAN VIEW

**MCF8701GR**



**MCF8703ES**



\*Interior Dimensions

SELF-CLOSING  
AND STAY OPEN  
DOOR FEATURE

Casters

Temperature control

Door lock

LED lights

Epoxy shelves

