



**“WE MAKE THE KITCHEN BETTER!”**

Toll Free: 855-855-0399 Email: [info@atosausa.com](mailto:info@atosausa.com)  
www.atosa.com | www.atosausa.com  
California, Colorado, Florida, Georgia, Illinois,  
Massachusetts, New Jersey, Ohio, Texas, Washington

# Bottom Mount Reach-In Refrigerators

## MODELS:

MBF8505GR / MBF8507GR / MBF8508GR

### Standard Features

- Bottom mount compressor units with environmentally friendly R290 refrigerant
- Stainless steel exterior & interior
- Dixell digital controller
- Maintains temperatures between 33°F – 40°F
- LED interior light(s)
- Recessed door handle(s)
- Door lock(s) standard
- Magnetic door gasket(s) standard for positive door seal
- Pre-installed casters
- Three(3) pre-installed shelves per section
- Down duct refrigeration to ensure even distribution of air



**MBF8505GR**



**MBF8507GR**



**MBF8508GR**

### Optional Accessories

- Extra shelves – includes 4 shelf clips per shelf  
MBF8505GR shelf part #: W0402393  
MBF8507GR shelf part #: W0402387  
MBF8508GR shelf part #: W0402387 left/right shelf,  
part #: W0402388 middle shelf

For the best results of food preservation we recommend setting your refrigerator between 33 °F to 38 °F

1. Don't forget to leave the unit some room to breathe!
2. Please clean the condenser frequently to give the unit more fresh air.



2 YEAR PARTS AND LABOR WARRANTY (US ONLY)  
5 YEAR COMPRESSOR PART WARRANTY (US ONLY)



\*For confirmation and updates on the latest energy star models, please visit [energystar.gov](http://energystar.gov)\*



**"WE MAKE THE KITCHEN BETTER!"**

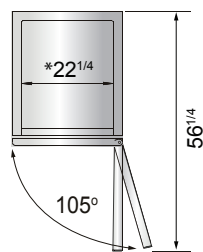
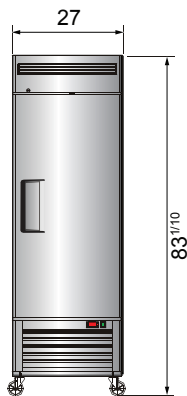
Toll Free: 855-855-0399 Email: info@atosausa.com  
 www.atosa.com | www.atosausa.com  
 California, Colorado, Florida, Georgia, Illinois,  
 Massachusetts, New Jersey, Ohio, Texas, Washington

## SPECIFICATIONS

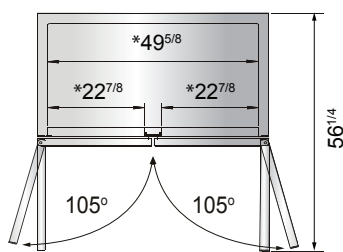
Models	Door	Capacity (Cu.Ft.)	Shelves	Casters (inch)	Amps (A)	Voltage (V/Hz/Ph)	HP	Refrigerant	Exterior Dimensions (inch)	Net Weight (lbs)	Gross Weight (lbs)
MBF8505GR	1	19.1	3	4	2.1	115/60/1	1/7	R290	27×31 <sup>7/10</sup> ×83 <sup>1/10</sup>	249	282
MBF8507GR	2	43.8	6	4	3.2	115/60/1	1/5	R290	54 <sup>2/5</sup> ×31 <sup>7/10</sup> ×83 <sup>1/10</sup>	397	452
MBF8508GR	3	68	9	4	4.2	115/60/1	1/4	R290	81 <sup>9/10</sup> ×31 <sup>7/10</sup> ×83 <sup>1/10</sup>	538	615

## PLAN VIEW

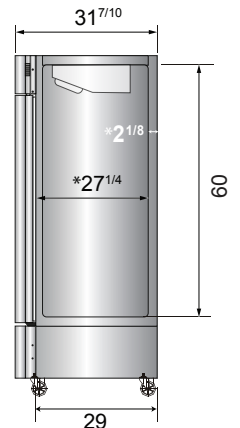
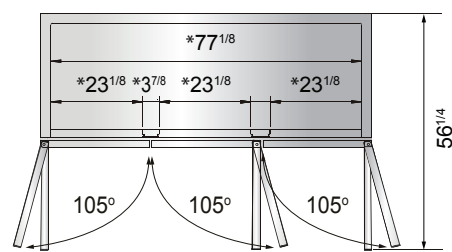
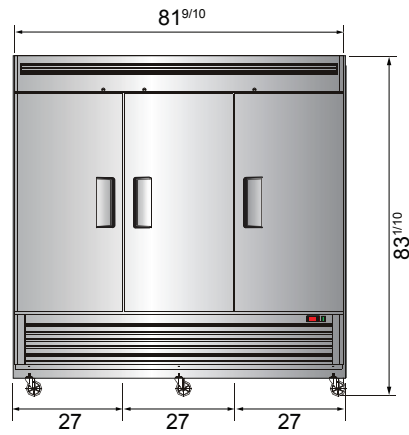
**MBF8505GR**



**MBF8507GR**



**MBF8508GR**



\*Interior Dimensions

SELF-CLOSING AND STAY OPEN DOOR FEATURE

Casters

Epoxy shelves

Door lock

Down duct

Temperature control

