

KMG-32

MEAT GRINDER

PRO-CUT[®]

SPEC SHEET

www.pro-cut.us

STANDARD FEATURES

- Robust food grade stainless steel construction
- 3,900+ lbs./hour processing capacity (1st grinding – 3/8" plate)
- 3,000+ lbs./hour processing capacity (2nd grinding – 3/16" plate)
- 7.5 HP motor with powerful 212 lbs-ft torque for meat mixing and 1,094 lbs-ft torque
- Features a pneumatic piston for safety operation
- 3 phase electrical connection
- Precision engineered steel gear transmission
- 110 lbs hopper capacity
- Safety magnetic interlock sensor on lid
- Includes 4 caster wheels
- No tools needed to remove blades, plates and grinding unit
- Includes motor protector in case of overload
- Hose down washable
- Pedal operated



PRODUCT HIGHLIGHTS



Safety pneumatic piston



Powerful 7.5 HP motor



Stainless steel construction



110 lbs Hopper capacity



Included accessories



Motor protector



Intertek

Intertek



1 year parts and labor

KMG-32

MEAT GRINDER

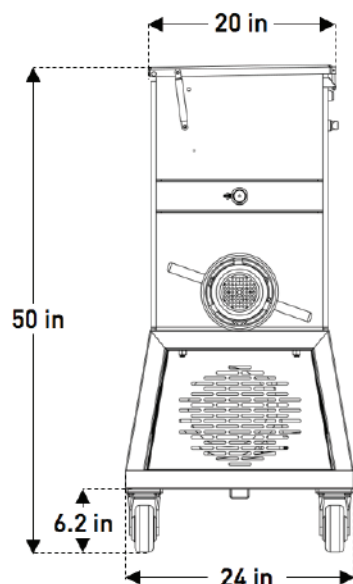
PRO-CUT®

SPEC SHEET

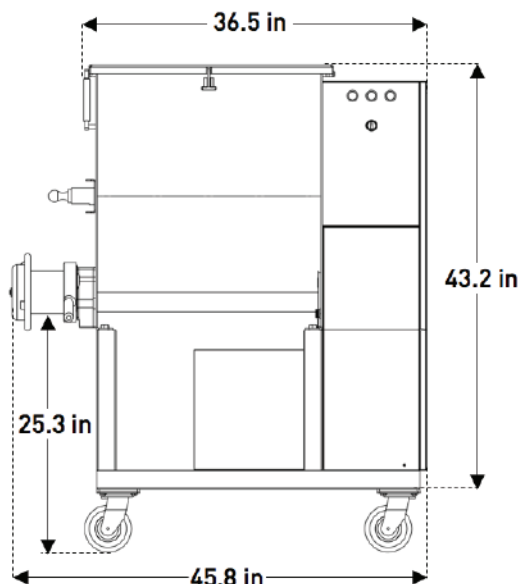
www.pro-cut.us

PLAN VIEW

Front view



Side view



L19-30P

TECHNICAL DATA

Dimensions

External dimensions (in)	L: 45.8" W: 24" H: 50"
Net weight	667 lb (302.55 kg)
Power cord length	6.56 ft

Construction

Body	Stainless Steel
Headstock	Stainless Steel

Logistic data

Max number of SKU per pallet	1
Shipping dimensions per unit	L: 51.5" W: 29" H: 59.5"
Shipping weight per unit	667 lbs
Shipping dimensions full pallet	L: 51.5" W: 29" H: 59.5"
Shipping weight full pallet	667 lbs
Freight class	85

L: Length W: Width H: Height

Electrical data

Motor	7.5 HP
Volts / Frequency	220 Vac / 60 Hz
Amps	21.4
Watts	5700
Phase	3
Type of plug (NEMA)	L19-30P

Performance / Capacity

1st grinding capacity (3/8" plate)	66 lbs / min
2nd grinding capacity (1/8" plate)	50 lbs / min

Accessories

Knives	Plates
NIR-32 (Stainless Steel Rectangular)	CD-32-1/8"
NLV-32 (Long Lasting Steel)	CD-32-1/8-29"
	CD-32-1/4"
	CD-32-3/16"
	CDH-32-3/16"
	CD-32-3/8"