

KG-32-MP MEAT GRINDER

PRO-CUT[®]

SPEC SHEET

www.pro-cut.us

STANDARD FEATURES

- 3,300+ lbs /hour processing capacity
(1st grinding – 3/8" plate)
- 1,700+ lbs /hour processing capacity
(2nd grinding – 1/8" plate)
- 3 HP motor with powerful 85 lbs-ft torque for meat grinding
- 1 phase electrical connection
- Precision engineered steel gear transmission
- Food grade stainless steel body and feed tray
- Robust headstock with permanent affixed safety guard
- Safety deflector included
- Non slip rubber feet
- Includes motor protector in case of overload



PRODUCT HIGHLIGHTS



Safety deflector



Powerful
3 HP motor



Included
accessories



Large stainless
steel feed tray



Stainless steel
body



Motor protector



Intertek



Intertek



1 year parts and labor

KG-32-MP MEAT GRINDER

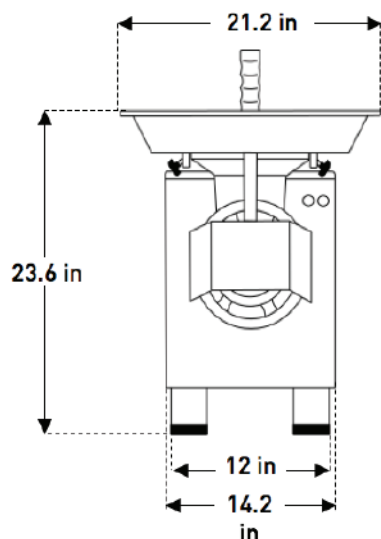
PRO-CUT®

SPEC SHEET

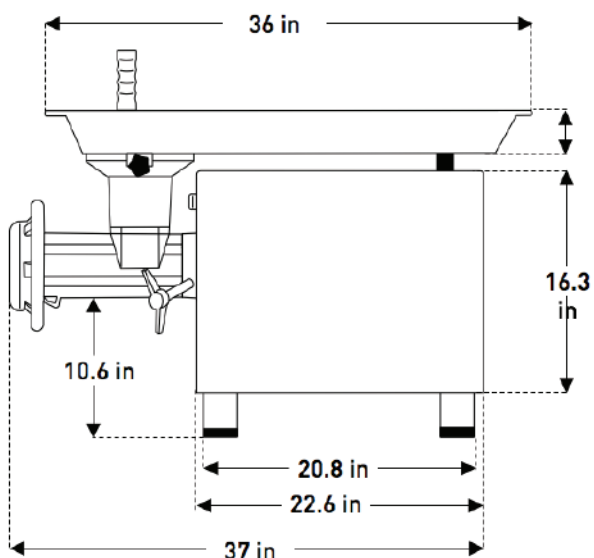
www.pro-cut.us

PLAN VIEW

Front view



Side view



L6-15P

TECHNICAL DATA

Dimensions

External dimensions	L: 37" W: 21.2" H: 23.6"
Net weight	261.24 lb (118.50 kg)
Power cord length	6.56 ft

Construction

Cabinet material	Stainless steel
Tray material	Stainless steel
Headstock	Cast iron

Logistic data

Max number of SKU per pallet	1
Shipping dimensions per unit	L: 44" W: 22" H: 32"
Shipping weight per unit	302 lbs
Shipping dimensions full pallet	L: 44" W: 22" H: 32"
Shipping weight full pallet	302 lbs
Freight class	85

Electrical data

Motor	3 HP
Volts / Frequency	220 Vac / 60 Hz
Amps	16.7
Watts	2250
Phase	1
Type of plug (NEMA)	L6-15P

Performance / Capacity

1st grinding capacity (3/8" plate)	55 lbs / min
2nd grinding capacity (1/8" plate)	29 lbs / min

Accessories

Knives	Plates
NIR-32 (Stainless Steel Rectangular)	CD-32-1/8"
NLV-32 (Long Lasting Steel)	CD-32-1/8-29"
	CD-32-1/4"
	CD-32-3/16"
	CDH-32-3/16"
	CD-32-3/8"

L: Length W: Width H: Height