

KG-22W-XP-SS

MEAT GRINDER

PRO-CUT[®]

SPEC SHEET

www.pro-cut.us

STANDARD FEATURES

- Features a stainless steel headstock, knife, plate and auger
- 1,800+ lbs /hour processing capacity (1st grinding – 3/8" plate)
- 900+ lbs /hour processing capacity (2nd grinding – 1/8" plate)
- 2 HP motor with powerful 56 lbs-ft torque for meat grinding
- Precision engineered steel gear transmission
- Food grade stainless steel body and large feed tray
- Robust headstock with permanent affixed safety guard
- Non slip rubber feet
- Includes motor protector



PRODUCT HIGHLIGHTS



Stainless steel body and tray



Stainless steel headstock



Included accessories



Affixed safety guard



Motor protector



30.2"x16.1"x3.3" Feed tray



1 year parts and labor

KG-22W-XP-SS

MEAT GRINDER

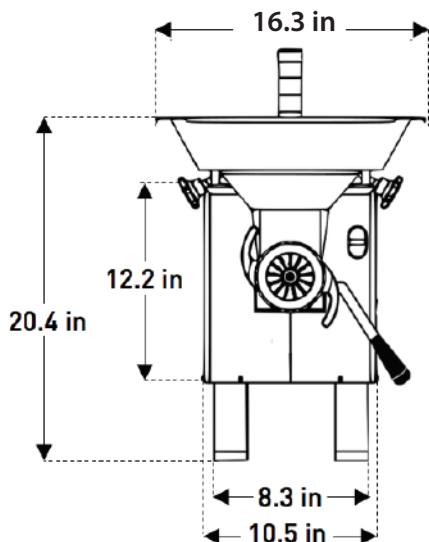
PRO-CUT®

SPEC SHEET

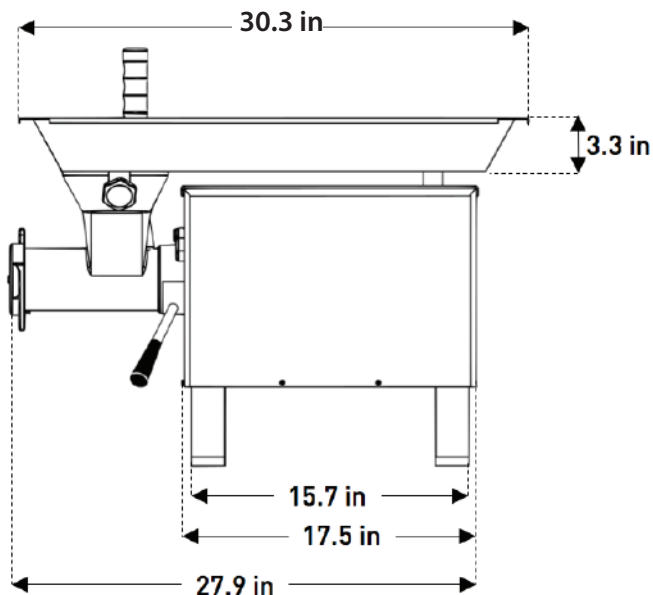
www.pro-cut.us

PLAN VIEW

Front view



Side view



NEMA 5-15P

TECHNICAL DATA

Dimensions

External dimensions	L: 30.3" W: 16.3" H: 20.4"
Net weight	131.17 lb (59.50 kg)
Power cord length	5.9 ft

Electrical data

Motor	2 HP
Volts / Frequency	220 Vac / 60 Hz
Amps	8.9
Watts	1500
Phase	1 PH
Type of plug (NEMA)	5-15P

Construction

Cabinet material	Stainless steel
Tray material	Stainless steel
Headstock	Stainless steel

Performance / Capacity

1st grinding capacity (3/8" plate)	29.8 lbs / min
2nd grinding capacity (1/8" plate)	15.4 lbs / min

Logistic data

Max number of SKU per pallet	4
Shipping dimensions per unit	L: 32" W: 17" H: 28"
Shipping weight per unit	160 lbs
Shipping dimensions full pallet	L: 36" W: 36" H: 59"
Shipping weight full pallet	681 lbs

Accessories

Knives	Plates
NIR-22 (Stainless Steel Rectangular)	CI-22-3/16"
NLV-22 (Long Lasting Steel)	CI-22-1/8"
	CI-22-3/8"
	CI-22-1/4"

*L: Length W: Width H: Height