



# DUKERS

Quality Commercial Refrigeration



## UNDERCOUNTER REFRIGERATOR

MODEL DUC72R

3-Door



### TECHNICAL SPECIFICATIONS

|                       |                 |
|-----------------------|-----------------|
| Voltage/Frequency     | 115V/60Hz       |
| Refrigerant           | R290            |
| Type of Defrost       | Automatic       |
| Interior Material     | Stainless Steel |
| Exterior Material     | Stainless Steel |
| Temperature Range °F  | 33 ~ 41°F       |
| Compressor Power (HP) | 1/4+            |
| Nema Config.          | NEMA5-15P       |



### PRODUCT FEATURES

- The back mount compressor structure is placed in the coolest possible area, provides quick and easy service.
- Digital temperature controls with LED display for precise adjustment and automatic defrosting system.
- Temperatures in the cabinet range from 33 to 41 degrees Fahrenheit
- Higher Resistance to dust, high quality condenser.
- R290 Natural Refrigerant, promotes faster cool down and efficient energy consumption
- Self-closing doors at 60° with stay open feature.
- Stainless steel inside and outside, sealed interior floors and rounder cabinet corners for easy cleaning.
- High quality coated stainless adjustable shelves prevent peel and rust.
- Lifetime warranty on hinges.



### HIGH QUALITY STAINLESS STEEL & ROBUST DESIGN



# DUKERS

Los Angeles | San Francisco | Dallas  
Houston | Florida | Chicago | New Jersey

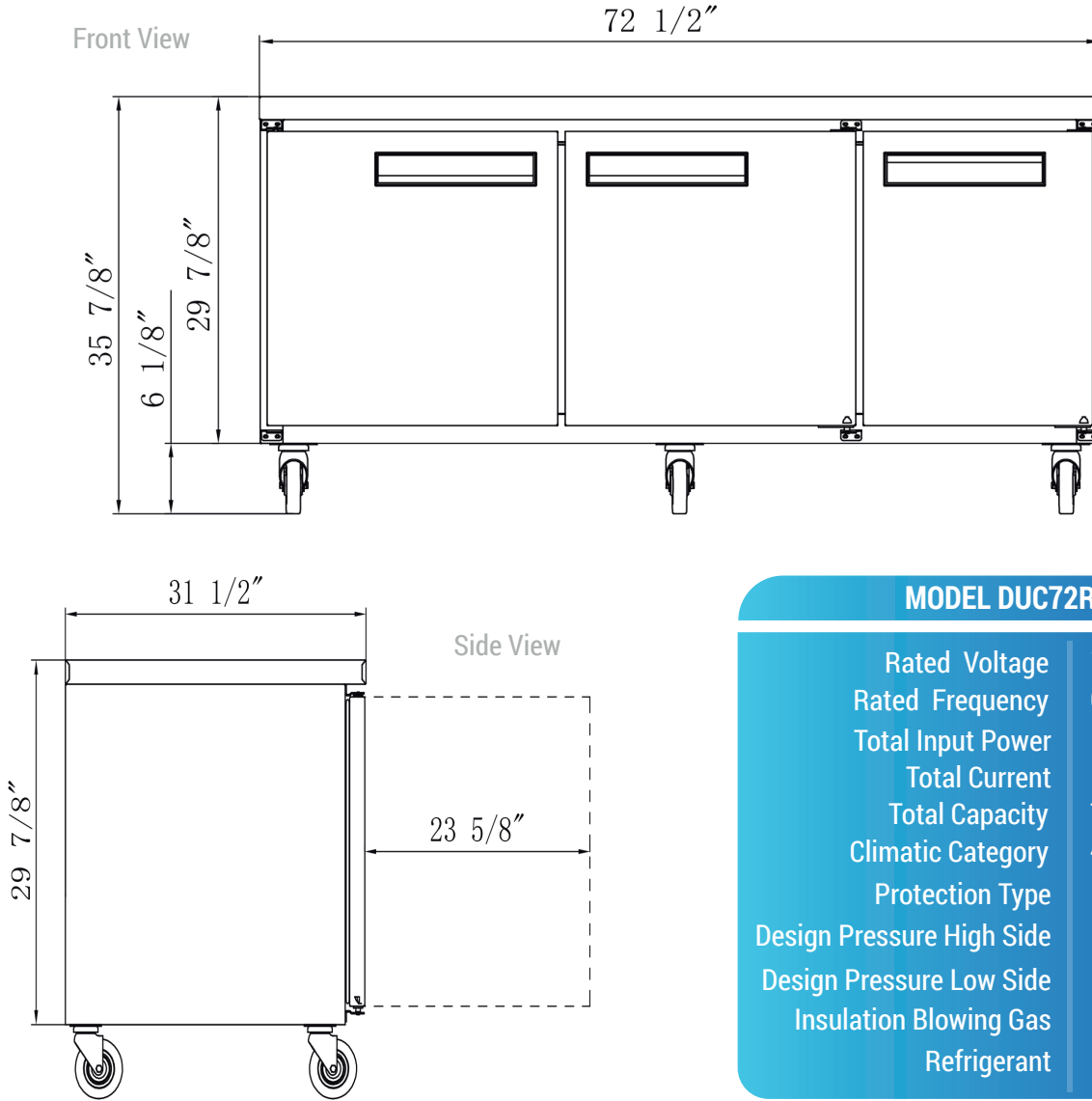
1-800-931-8628

@ info@dukersusa.com

www.DukersUSA.com

# DETAILS & SPECIFICATIONS

## UNDERCOUNTER DUC72R



### MODEL DUC72R

|                           |             |
|---------------------------|-------------|
| Rated Voltage             | 115V        |
| Rated Frequency           | 60Hz        |
| Total Input Power         | 380W        |
| Total Current             | 3.4A        |
| Total Capacity            | 18.96 cu ft |
| Climatic Category         | 4-5         |
| Protection Type           | I           |
| Design Pressure High Side | 300 PSIG    |
| Design Pressure Low Side  | 150 PSIG    |
| Insulation Blowing Gas    | C-Pentane   |
| Refrigerant               | R290/4.41oz |

| MODEL  | EXTERNAL DIMENSION<br>WXDXH (INCHES) | PACKAGING DIMENSION<br>WXDXH (INCHES) | PRODUCT NET<br>WEIGHT | # OF<br>SHELVES | 40HQ<br>CONTAINER CERT. |
|--------|--------------------------------------|---------------------------------------|-----------------------|-----------------|-------------------------|
| DUC72R | 72 1/2 x 31 1/2 x 36                 | 73 7/8 x 33 1/8 x 39 3/8              | 242 lbs               | 3               | 28                      |



AutoQuotes



115/60/1  
NEMA-5-15P



Los Angeles | San Francisco | Dallas  
Houston | Florida | Chicago | New Jersey

1-800-931-8628

@ info@dukersusa.com

www.DukersUSA.com