



Item # \_\_\_\_\_  
 Qty # \_\_\_\_\_  
 Model # \_\_\_\_\_  
 Project # \_\_\_\_\_

**DUKERS**  
 Quality Commercial Refrigeration



**Stock Pot  
 DCSPA2**



Catch Tray

Ventilation

Legs












Knobs

Cast Iron  
 Cooking Surface



**PRODUCT DESCRIPTION**

-  Stainless steel sides and front valve cover.
-  Stainless steel tubing for pilots and pilot tips per burner ring.
-  Heavy duty cast iron three-ring burner, rated at a total of 160,000 BTU/h.
-  Each burner is equipped with two continuous pilots.
-  Heavy duty cast iron and top grates.
-  Two manual controls to operate the inner and outer rings independently.
-  3/4" NPT rear gas connection and regulator standard.
-  Stainless steel legs standard.
-  Full length seamless drip pan for easy cleanup.

STOCK POT MODEL	DIMENSION		
	Width	Depth	Height
DCSPA2	18 in	42 1/4 in	22 3/4 in



**HIGH QUALITY  
 STAINLESS STEEL &  
 ROBUST DESIGN**



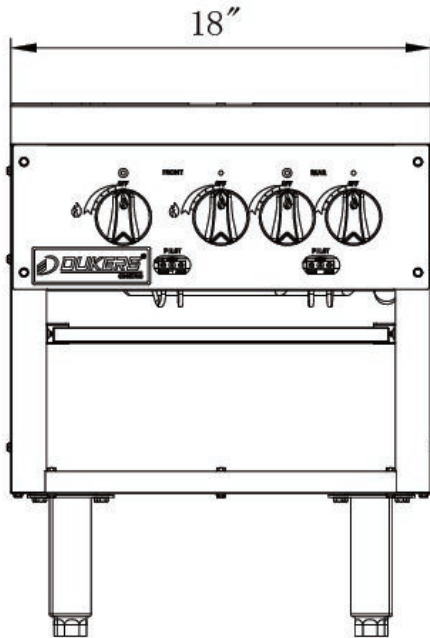
Los Angeles | San Francisco | Dallas  
 Houston | Florida | Chicago | New Jersey

1-800-931-8628  
 @ info@dukersusa.com  
 www.DukersUSA.com

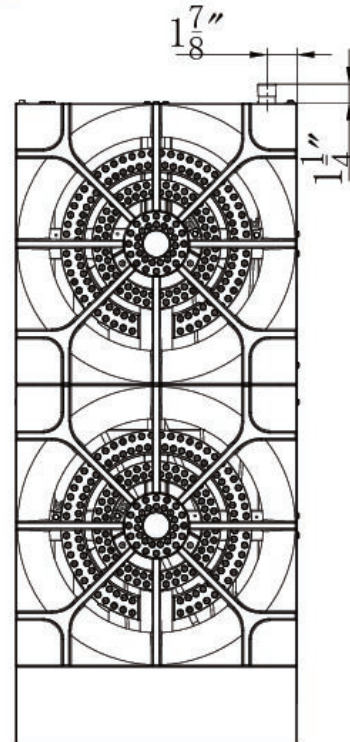
# DETAILS & SPECIFICATIONS

## STOCK POT DCSPA2

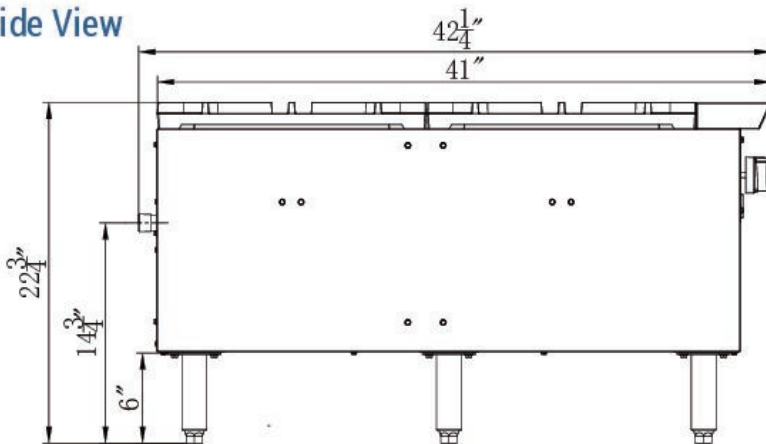
Front View



Top View



Side View



### DCSPA2

GAS SOURCE	NG/Propane
COOKING AREA	18X41 in
BURNER	4 count
SINGLE BURNER	40000 BTU/H
COMBINED	160000 BTU/H
GAS PRESSURE	NG: 5 "WC Propane: 10 "WC
NOZZEL	NG: 32# Propane: 48#

Model	Packaging Dimensions (inches)			Net Weight (lbs)	Ship Weight (lbs)	Container Capacity 40'HQ
	W	D	H			
DCSPA2	21 1/8"	55 1/2"	24"	224	310	132



Los Angeles | San Francisco | Dallas  
Houston | Florida | Chicago | New Jersey

1-800-931-8628

info@dukersusa.com

www.DukersUSA.com