



**DUKERS**  
Quality Commercial Refrigeration



## REACH IN FREEZER

D83AF

Top Mounted / 3-Solid Door




### **i** TECHNICAL SPECIFICATIONS

Voltage/Frequency 115V/60Hz  
Refrigerant R290  
Type of Defrost Automatic  
Interior Material Stainless Steel  
Exterior Material Stainless Steel  
Temperature Range °F 0 ~ -8°F  
Compressor Power (HP) 1/2 + 1/2  
Nema Config. NEMA5-20P



### PRODUCT FEATURES

-  The compressor is mounted in the top and placed in the coolest possible area; this makes it easily accessible for servicing.
-  Digital temperature controls with LED display for precise adjustment and automatic defrosting system.
-  Temperatures in the cabinet range from 0 to -8 degrees Fahrenheit
-  Self closing doors with stay open feature.
-  R290 Natural Refrigerant promotes faster cool down and efficient energy consumption.
-  Epoxy coated wire shelves.
-  Stainless steel interior & exterior, sealed interior floors, and rounded cabinet corners for easy cleaning.
-  High quality coated stainless adjustable shelves prevent peel and rust.
-  Lifetime warranty on hinges.
-  Adjustable front locking casters.



### HIGH QUALITY STAINLESS STEEL & ROBUST DESIGN



**DUKERS**

Los Angeles | San Francisco | Dallas  
Houston | Florida | Chicago | New Jersey

 1-800-931-8628

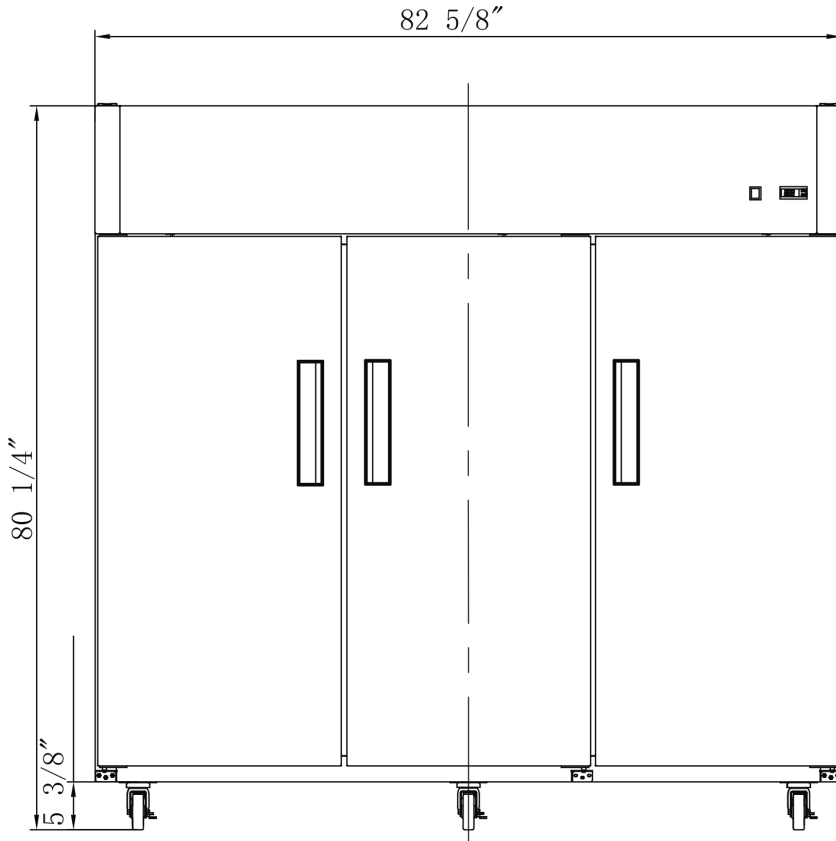
 [info@dukersusa.com](mailto:info@dukersusa.com)

[www.DukersUSA.com](http://www.DukersUSA.com)

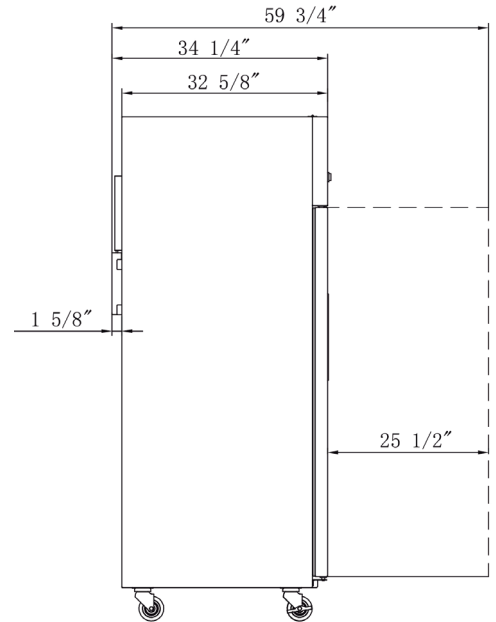
# DETAILS & SPECIFICATIONS

## D83AF

Front View



Side View



### MODEL D83AF

Rated Voltage	115V
Rated Frequency	60Hz
Total Input Power	1300W
Total Current	16A
Total Capacity	65.98cu ft
Climatic Category	4-5
Protection Type	I
Design Pressure High Side	300 PSIG
Design Pressure Low Side	150 PSIG
Insulation Blowing Gas	C-Pentane
Refrigerant	R290/4.2+4.2 oz

MODEL	EXTERNAL DIMENSION WXDXH (INCHES)	PACKAGING DIMENSION WXDXH (INCHES)	PRODUCT NET WEIGHT	# OF SHELVES	40HQ CONTAINER CERT.
D83AF	82 5/8 x 34 1/6 x 80 3/8	84 1/4 x 35 3/8 x 84 3/4	595 lbs	12	13



AutoQuotes



NEMA-5-20P



Los Angeles | San Francisco | Dallas  
Houston | Florida | Chicago | New Jersey

1-800-931-8628

@ info@dukersusa.com

www.DukersUSA.com