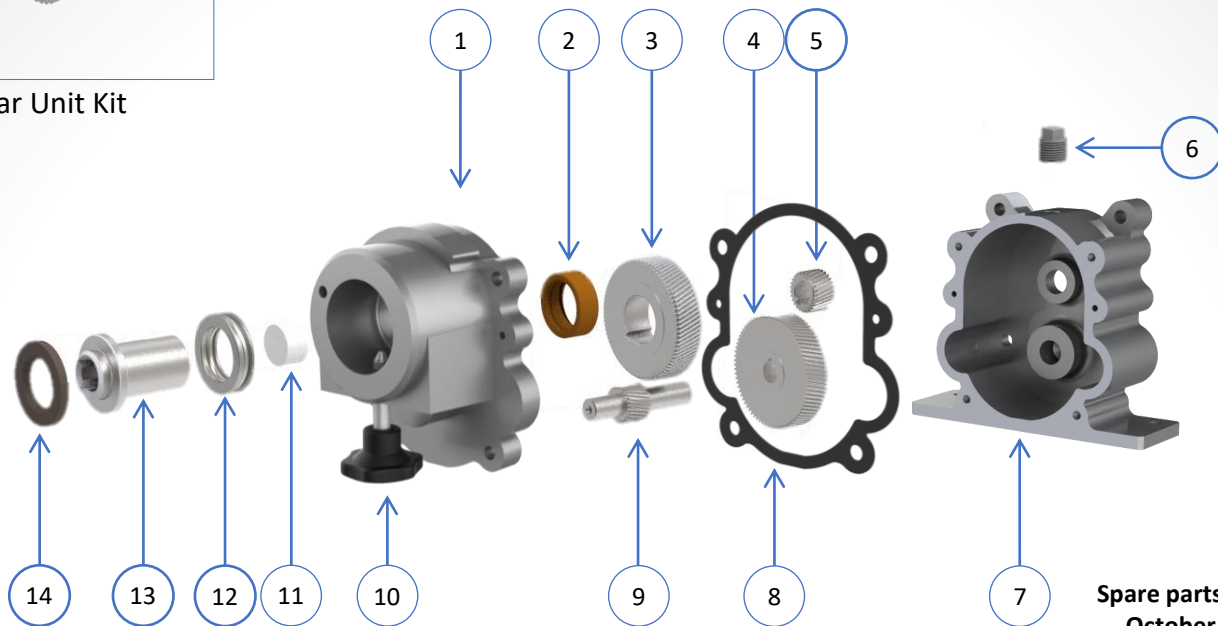


### SPARE PARTS MANUAL

Page 01  
**KG-22-W**  
 Section: Transmission System



Gear Unit Kit

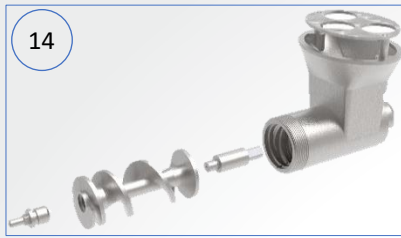


Spare parts valid since  
 October 1st 2022

ITEM	CODE	DESCRIPTION
1	M572408*	GEAR COVER KIT (KNOB)
2	M575641	BRONZE BEARING
3	M575643	GEAR FOR SQUARED INNER COUPLIN 60 HZ
4	M570567	GEAR (FLAT)
5	M570193	GEAR (PINION)
6	M501101	GEAR BOX PLUG
7	M571894*	GEAR BOX KIT
8	M500146*	GASKET
9	M572180	DOUBLE SHAFT GEAR 60 HZ
10	M507692	KNOB
11	M500329	SQUARED GEAR COVER
12	M506571	AXIAL BALL BEARING
13	M575642	SQUARED INNER COUPLING FOR GEAR
14	M570154	SEAL CR 12544 VITON
15	M572409	GEAR UNIT KIT

### SPARE PARTS MANUAL

Page 02  
**KG-22-W**  
 Section: Cut System



Grinding Unit Kit

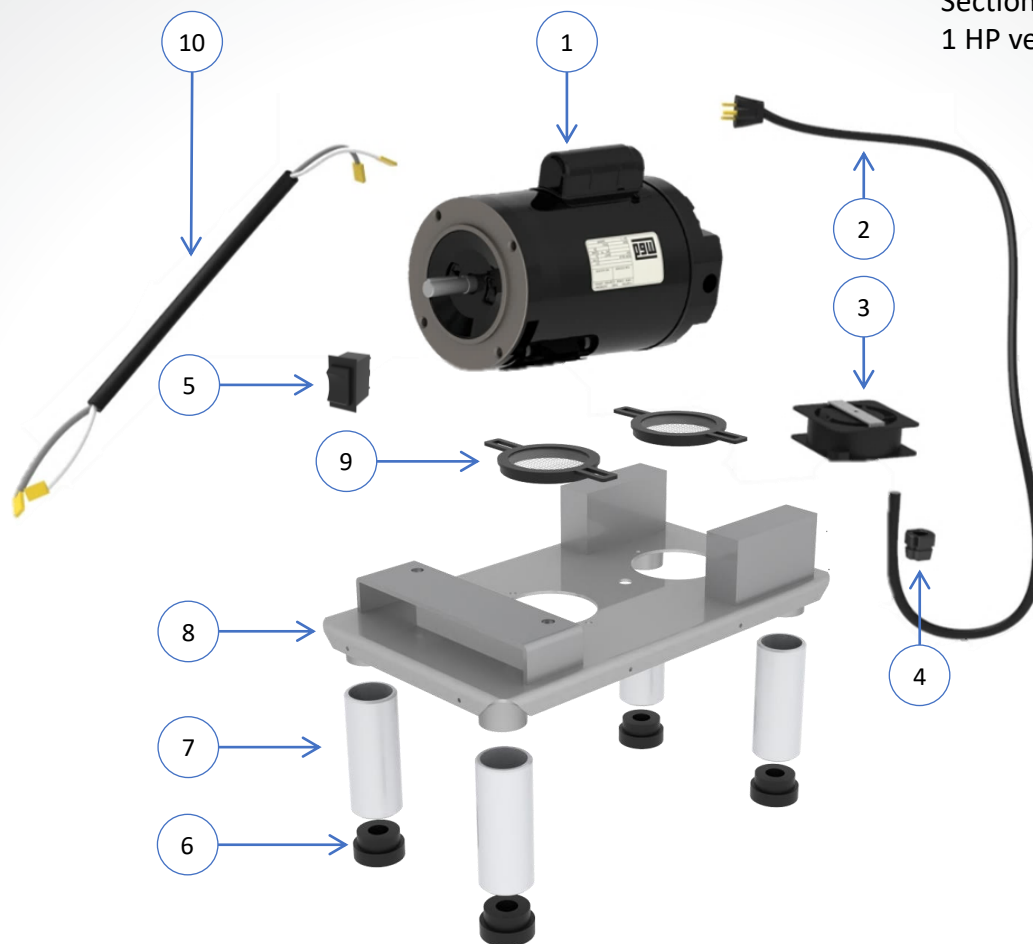


Spare parts valid since  
 October 1st 2022

ITEM	CODE	DESCRIPTION
1	M501794	STOMPER
2	M570145	STAINLESS STEEL PRODUCT TRAY
3	M500330	BUMPER (RUBBER)
4	M570146	CLAMPS
5	M572690	CASE AND THERMIC-ISOLATING ASSY. (1 HP VERSION)
6	M501134	SOLID PIN STAINLESS STEEL
7	M575636	HEADSTOCK
8	M572368	GUIDE PIN
9	M573789	REARROD
10	M575280	FEED SCREW (WORM)
11	M570201	FRONT ROD
12	M570383	HEADSTOCK RING
13	M501572	GREASE ALIPLIX C2 FOOD GRADE
14	M570071	GRINDING UNIT KIT

### SPARE PARTS MANUAL

Page 03  
**KG-22-W**  
 Section: Electric System  
 1 HP version



Spare parts valid since  
 October 1st 2022

\*Base and base lid assy. Series from: October 1st 2022

ITEM	CODE	DESCRIPTION
1	M500801	MOTOR 1 HP,M,115/220,4P,60,C
2	M500154	UL CORD KIT
3	M501291	115 VCA AXIAL FAN
4	M500799	GROMMET MP7P-2
5	M501802	BUTTON SWITCH
6	M500333	FERRULE RUBBER
7	M571407	3/4" ALUMINIUM LEG
8	M572705*	BASE AND BASE LID ASSY.
9	M500325	BASE LID
10	M500850	SJT UL APP CABLE W/ARNES