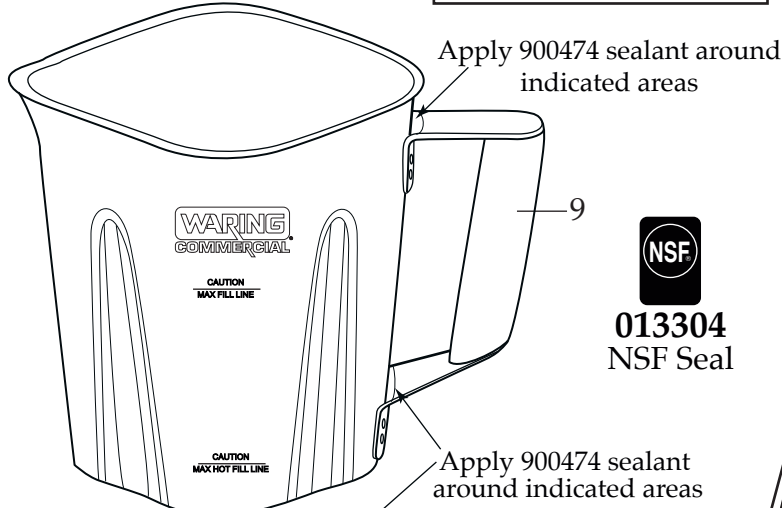
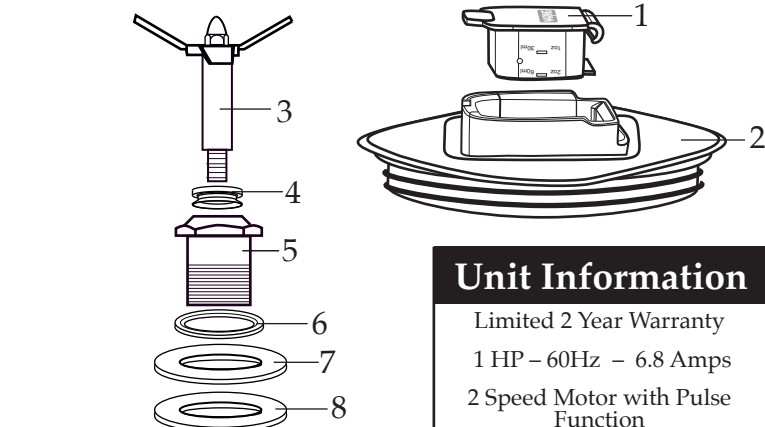


# WARING COMMERCIAL

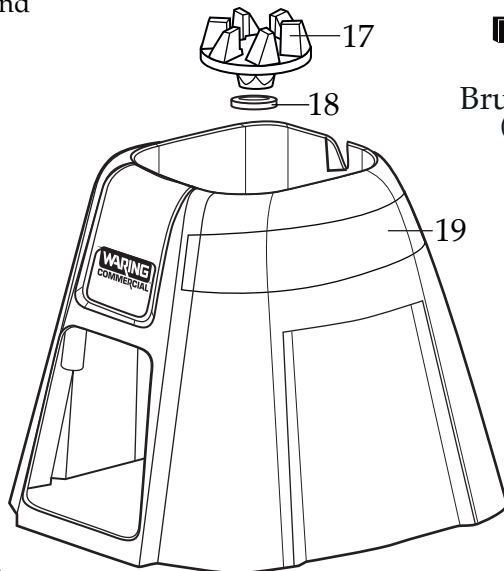
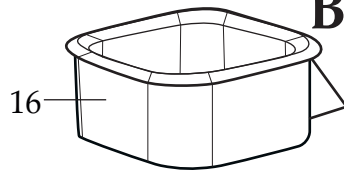
Medium Duty Bar Blender  
with Toggle Switch &  
48 oz. Stainless Steel Container  
**BB300S**

## Unit Information

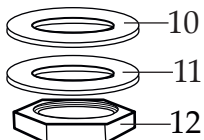
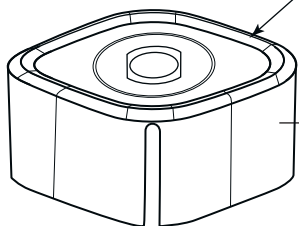
Limited 2 Year Warranty  
1 HP - 60Hz - 6.8 Amps  
2 Speed Motor with Pulse  
Function



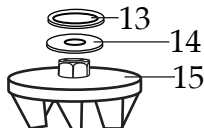
**013304**  
NSF Seal



**038158**  
Brush & Spring  
(2 required)



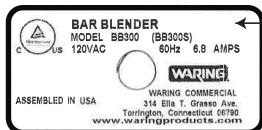
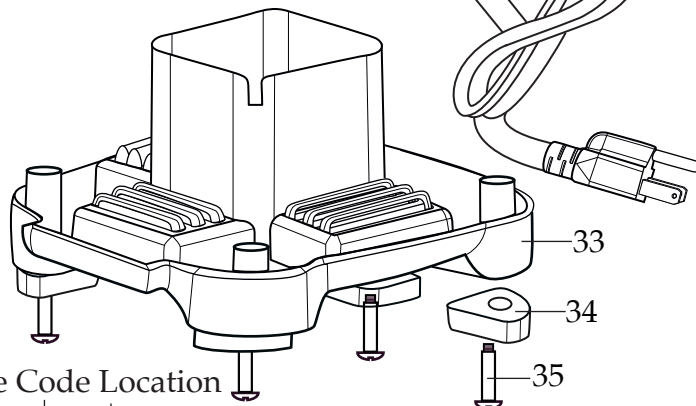
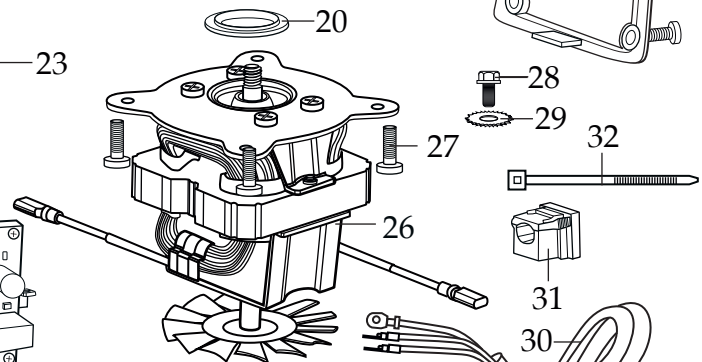
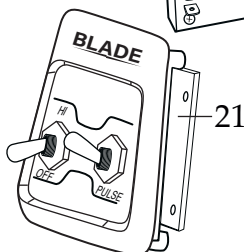
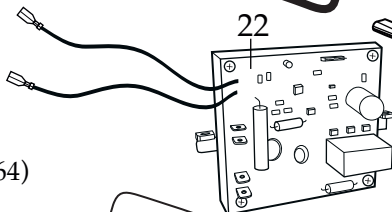
**NOTE:**  
Torque to 80- 85 in/ lbs.  
Torque to 75- 80 in/ lbs. (503464)



**503521** (on units after 12/18/2017)  
Stainless Steel Container  
with Blending Assembly

**035592**  
Blending Assembly Kit

**503464**  
Stainless Steel Container  
with Blending Assembly



← Date Code Location  
YY|MM|DD  
year|year|month|month|day|day

Illustration#	Part#	Description
1	035153 026282-E	Eastman Jar Cover Lid <i>(on units after 3/9/2016)</i> Eastman Cover Lid
2	036319-V 033625-V	Vinyl Jar Cover with Ribs <i>(on units after 10/2/2017)</i> Vinyl Jar Cover
3	503444	Blade Assembly
4	027716	V Seal
5	503458	Bearing Holder / Seal Assembly
6	009724	Nylon Flat Washer
7	003537	Stainless Steel Washer
8	003509	Neoprene Washer (rubber)
9	034775	48 oz. Stainless Steel Container
9a	034776	Jar Bottom
10	003509	Neoprene Washer (rubber)
11	003537	Stainless Steel Washer
12	034156	Bearing Holder Nut
13	003526	Phenolic Washer
14	035048	Flat Stainless Steel Washer
15	503520 032453	Coupling with Insert <i>(on units after 12/8/2017)</i> Coupling
16	033623	Jar Pad
17	503520 032453	Coupling with Insert <i>(on units after 12/8/2017)</i> Coupling
18	035756 026413	Stainless Steel Cap Washer <i>(on units after 10/11/2016)</i> Stainless Steel Cap Washer
19	033616	Top Housing
20	026269	Upper Motor Mount
21	037558 036242 033545	Control Panel <i>(on units after 10/9/2020)</i> Control Panel (OFF on center <i>on units after 1/3/2019</i> ) Control Panel (OFF on bottom)
22	Comes with the 037558 & 036242 <i>(on units after 1/3/2019)</i> - 033545 Control Panel <i>(on units after 8/30/2017)</i> 035176	120 volt Soft Start PCB <i>(on units after 11/18/2015)</i>
23	033737	O Ring
24	Comes with the 036242 <i>(on units after 1/3/2019)</i> - 033545 Control Panel	
25	026267	Screw (4 required)

Illustration#	Part#	Description
26	033618	120 volt Chiaphua Motor
27	032611	Screw (4 required)
28	027278	Ground Screw
29	002943	Washer
30	503471	Cordset Assembly
31	033619	Strain Relief
32	013731	Wire Tie (2 required)
33	035282	Bottom Housing
34	035287	Foot (4 required <i>on units after 7/14/2016</i> )
	033620	Foot (4 required)
35	035260	Screw (4 required)

**Part No Longer Used**

 033526  
Screw  
(2 required *last used 5/3/2021*)

