



“WE MAKE THE KITCHEN BETTER!”

Toll Free: 855-855-0399 Email: info@atosausa.com
www.atosa.com | www.atosausa.com
California, Colorado, Florida, Georgia, Illinois,
New Jersey, Ohio, Texas, Washington

Open Air Merchandisers

MODELS:
AOM-40B / AOM-50B

Standard Features:

- Black exterior & stainless steel interior
- Full electronic controller
- LED lighted header panel
- LED lighting on each shelf and interior top
- Night curtain standard
- Pre-installed 4” casters



AOM-40B



AOM-50B

For the best results of food preservation we recommend setting your freezer between 33 °F - 38 °F

1. Don't forget to leave the unit some room to breathe!
2. Please clean the condenser frequently to give the unit more fresh air.



2 YEAR PARTS AND LABOR WARRANTY (US ONLY)
5 YEAR COMPRESSOR PART WARRANTY (US ONLY)



For confirmation and updates on the latest energy star models, please visit energystar.gov



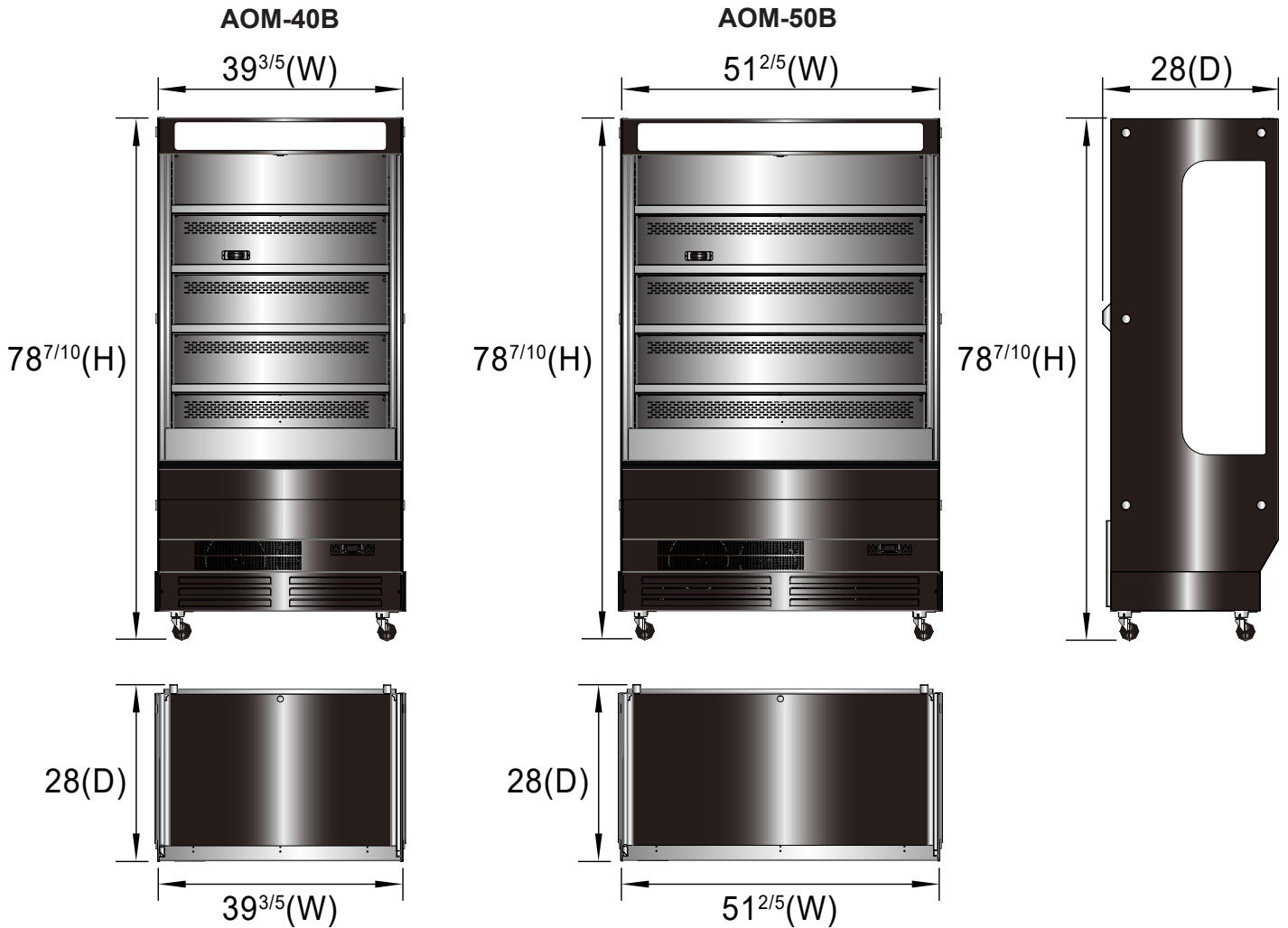
“WE MAKE THE KITCHEN BETTER!”

Toll Free: 855-855-0399 Email: info@atosausa.com
 www.atosa.com | www.atosausa.com
 California, Colorado, Florida, Georgia, Illinois,
 New Jersey, Ohio, Texas, Washington

SPECIFICATIONS

Model	Cubic Capacity	Shelves	Voltage (V/Hz/Ph)	HP	Amps (A)	Watts (W)	Nema Plug	Product Dimensions (WxDxH)	Packaging Dimensions (WxDxH)	Net Weight (lbs)	Gross Weight (lbs)
AOM-40B	20.6	4	120/60/1	1	16.5	1600	6-20P	39 ^{3/5} × 28 × 78 ^{7/10}	42 ^{1/10} × 31 ^{1/10} × 85 ^{4/5}	441	525
AOM-50B	27.5	4	120/60/1	1	18.5	1600	6-20P	51 ^{2/5} × 28 × 78 ^{7/10}	53 ^{9/10} × 31 ^{1/10} × 85 ^{4/5}	529	628

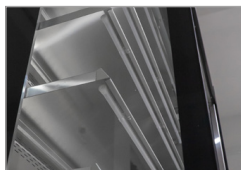
PLAN VIEW



Carel Digital Controller



Shelves



Handle



Temperature Displayer

