



**"WE MAKE THE KITCHEN BETTER!"**

**ATOSA USA, INC.**

**Toll Free: 855-855-0399 Email: info@atosausa.com**

www.atosa.com | www.atosausa.com

California, Colorado, Florida, Georgia, Illinois,  
New Jersey, Ohio, Texas, Washington

# 16 Crate Forced Air Milk Cooler

## Standard Features

- Stainless steel exterior & interior
- Top mount forced air refrigeration
- Sliding door
- Digital temperature controller
- Single sided
- Heavy duty, reinforced floor
- Dunnage racks
- Metal door handles
- Door lock standard
- Snap in door gaskets
- Floor drain with plug

## Optional Accessories

- Extended warranties up to 5 years
- Coming soon: 34" & 49" models, and double sided units

For the best results of food preservation we recommend setting your refrigerator between 33°F to 38 °F

1. Don't forget to leave the unit some room to breathe!
2. Please clean the condenser frequently to give the unit more fresh air.



2 YEAR PARTS AND LABOR WARRANTY  
5 YEAR COMPRESSOR PART WARRANTY

## MODELS:

AMC-5801



**AMC-5801**





**"WE MAKE THE KITCHEN BETTER!"**

**ATOSA USA, INC.**

**Toll Free: 855-855-0399 Email: info@atosausa.com**

www.atosa.com | www.atosausa.com

California, Colorado, Florida, Georgia, Illinois,

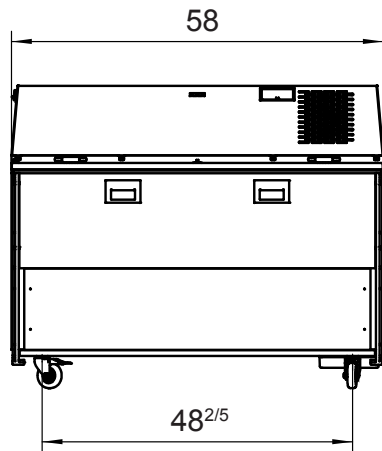
New Jersey, Ohio, Texas, Washington

**SPECIFICATIONS**

Models	Door	Capacity (Crate)	Casters	Rated Current (A)	Voltage (V/Hz/Ph)	HP	Refrigerant	Plug	Exterior Dimensions (inch)	Net Weight (lbs)
AMC-5801	1	16	5"	3.0	115/60/1	1/2	R290	NEMA 5-15P	58×32 <sup>1/8</sup> ×47 <sup>3/16</sup>	292.7

**PLAN VIEW**

**AMC-5801**



**SIDE VIEW**

