

50AMP Wiring Device

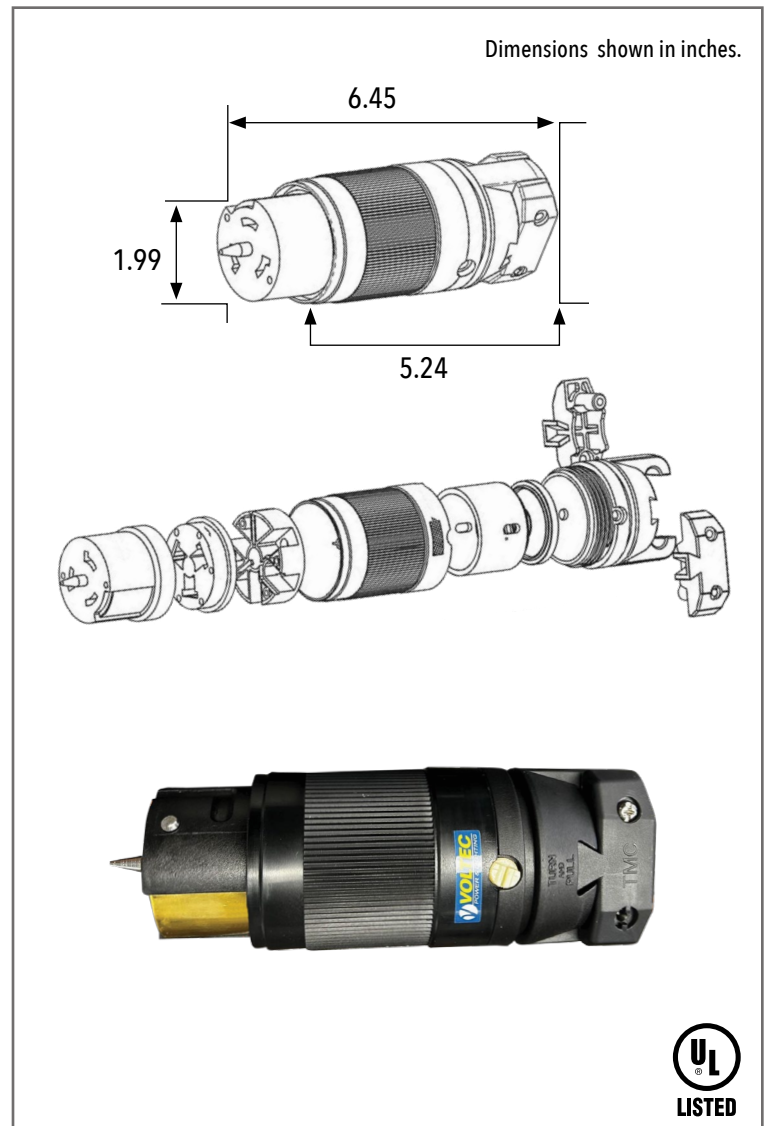
PN# 12-00243V

FEATURES

- Connector, Locking CS6364
- Rating: 50 amperes, 125/250 volts, 3-pole, 4 wire
- Materials: Plastic parts are nylon, Terminal W/X/Y are brass, Terminal G is Bronze, Locking Pin is Iron Nickel plated, Screws are Iron Nickel plated.
- Accepts cable up to (6/4 S)
- UL Listed, Meets UL standard & UL498, File E316101

PACK QUANTITY/UPC

- Pack Quantity = 1
- UPC# 8-03058-00243-5



ASM-50 AMP TWIST-LOCK Plug & CONNECTORS

INSTALLATION INSTRUCTIONS

3-Pole 4-Wire Grounding

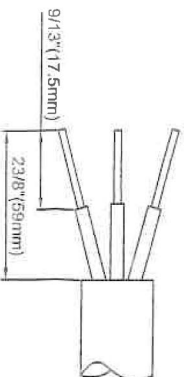
GENERAL INFORMATION

- NOTICE:** For installation by a qualified electrician in accordance with national and local electrical codes and the following instructions.
- CAUTION: RISK OF ELECTRIC SHOCK.** Disconnect power before installing, never wire energized electrical components.
- CAUTION: USE COPPER CONDUCTORS ONLY.**
- Check that the device's type and rating are suitable for the application.
- NOTICE:** Use round cord types STW, STOW SEOW 6/3+8/1.
- Terminal Capacity #8AWG to #6AWG.
- Use stranded conductors ONLY.
- Connector information: Cat. No: TR-510 Rating: 50A, 125/250V AC
 Configuration: California Style UL File: E316101
 Manufacturer: Honglin Electric Power Technology (Thailand) Co., Ltd.
 Rayong, Thailand

INSTALLATION

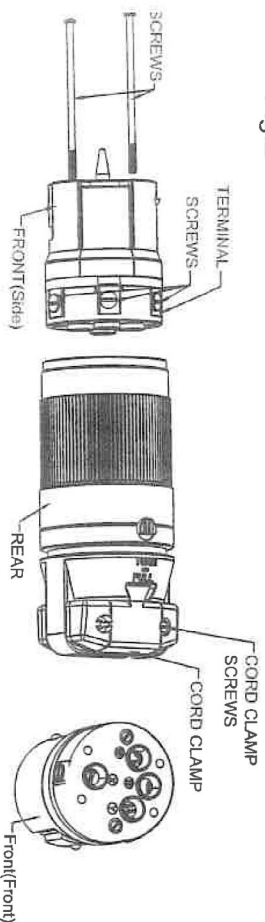
- Select cord end with proper conductor color orientation that matches terminal location.
- Strip cord jacket and conductor insulation as shown in Fig. 1.

Fig. 1



- Loosen Front screws and slide rear housing.
- Loosen cord clamp screws onto cable. See Fig. 2.

Fig. 2



- Twist wire strands together on each conductor. **DO NOT TIN CONDUCTORS.**
- Remove interior to expose conductor terminals. Loosen terminal screw fully and insert conductors into proper terminals as identified in Table

TERMINAL	CONDUCTOR
Green, Gnd, G	Equipment grounding conductor, (bare, green or green/yellow)
White, W	Grounded circuit conductor, Neutral(White or Gray)
X, Y, Z or Blank(Other Than White or Green)	Ungrounded Circuit Conductor, Line (Not White, Not Green)

- TAKE EXTRA CAUTION THAT THERE ARE NO LOOSE WIRE STRANDS.** Insulation **MUST NOT** enter box terminals.
- Using a 5/32 inch screwdriver, tighten terminal screws to 25 lb.-in. (2.83 N·m) torque.
- Screw rear housing into front housing and tighten until latches line-up with notches. Turn latches one-half turn (two clicks) to lock housings together as shown in fig. 3.
- Tighten cord clamp screws to 20 lb.-in. (2.3N·m) torque.

Fig. 3

