

Rechargeable LED Work Light

08-00598

1,000 Lumen (10W)



FEATURES

- 1,000 Lumen/10 Watt
- 2 Light Settings - Full 360° or Half 180°
- 3-Modes of Light - High-Med-Low
- Metal Cage Guard
- Comfort Grip Handle
- Magnetic Base
- Micro USB
- USB Port with Protective Cover
- Rechargeable Lithium Battery
- Suitable for Covered Damp Locations

SPECIFICATIONS - next page

PACK QUANTITY/UPC

- Pack Quantity = 2
- UPC# 8-03058-01598-5





Power Switch & On/Off



Micro-USB & USB



Magnet Bottom

Product Information

Item NO	Lumen	Volts	Watt	CCT	CRI	Beam Angle	Pack Quantity
08-00598	1,000	DC 5V, 1A	10W	5000K	80+	180°/360° Optional	2pcs/ctn

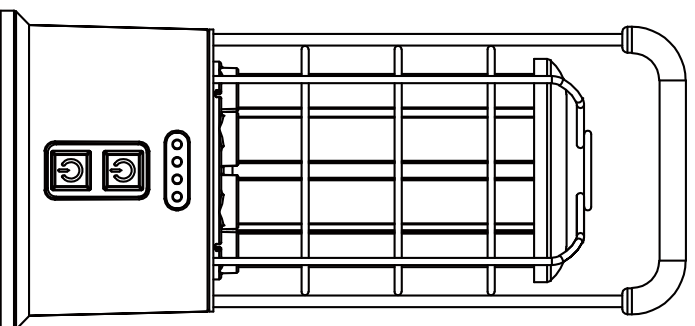
Item NO	Operation Time	Charging Time	Working Temperature	Dimension
08-00598	180° 6Hrs 360° 3Hrs	4Hrs	-20-40 °C / -4-104 °F	φ111*236mm / φ4.37*H9.29in

- *LPW is Lumen Per Watt*
- *CCT (Kelvin) is the correlated color temperature*
- *CRI (Color Rendering Index) is the ability to represent the original color of a substance*
- *PF (Power Factor) is the ratio of the actual power consumed to the power supply capacity*
- *Lift (L70) is service life of LED chips*



Rechargeable LED Work Light

08-00598

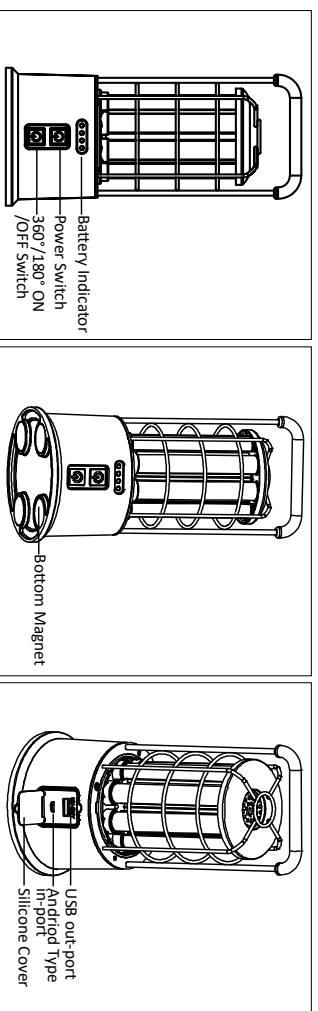


<http://www.voltec-industries.com/>

BASIC INFO

Power	Voltage	Lumen	On/Off Switch	Power Switch	Suitable for Damp Locations
10W	DC5V 1A	1,000lm	360°/180° ON/OFF	High, Middle, Low	

DETAIL INFO



!! CAUTION

Read and understand this entire manual before you use this product.

- Do not store this product in an extremely hot environment, as it will reduce the battery life. Dispose responsibly.
- Always keep the work light away from any flammable surfaces or materials.
- Do not look directly for a long time at the lighted lamps in order to avoid eye discomfort.
- Do not operate the work light if it has a missing or damaged lens cover.
- Clean the work light with a soft cloth and non-abrasive cleanser.
- Store the work light in a safe place and out of the reach of children.
- Warning: Always ensure that you unplug the work light and allow it to cool before you attempt to clean it