

Temporary Area Work Light

08-00466

13,500 Lumen (100W)

FEATURES

- Custom wiring terminal block
- Tool-Free easy access latches
- 50%/100% Brightness settings
- 1/2" Threaded knockouts for custom fittings
- Foldable heavy duty metal spring hook
- Suitable for wet and damp locations
- 5000 Kelvin color temperature
- Accepts 16 gauge to 12 gauge SO cord
- Accepts most sizes of MC and NM cable when used with proper 1/2" fittings
- Carry handle and folding hook built into fixture head
- Wires not included

SPECIFICATIONS

- 13,500 Lumen/100 Watt
- SMD LED
- 5000 Kelvin Color Temperature
- LED Driver Capable of 120/208/240/277 Volt, 50-60Hz
- 360 Degree Protective Stainless Steel Guard
- 6,000V Surge Protection
- cETLus Listed

PACK QUANTITY/UPC

- Pack Quantity = 2
- UPC# 8-03058-01466-7

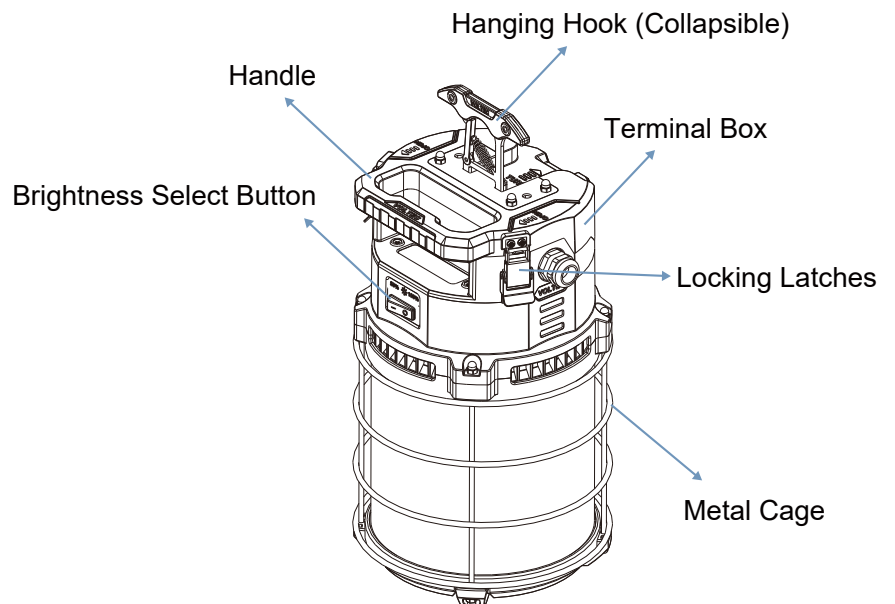
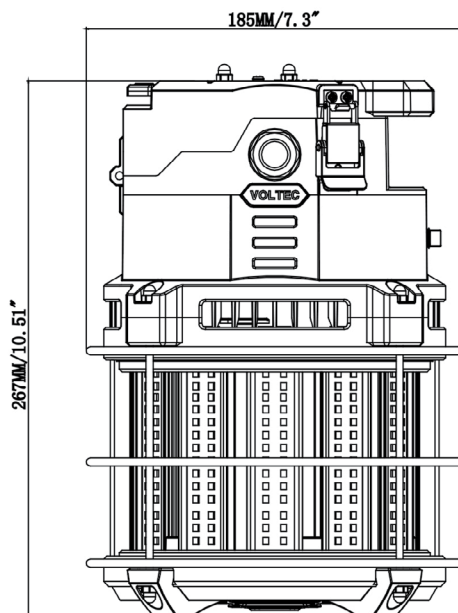




RISK OF ELECTRIC SHOCK

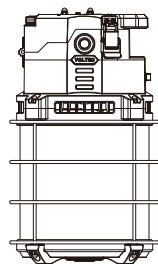
**IMPORTANT:
READ BEFORE REMOVING FIXTURE FROM CARTON. RETAIN FOR FUTURE REFERENCE.**

- Disconnect electrical power to fixture and follow proper lockout/tag out procedures before installation or maintenance. Contact a qualified electrician for installation.
- DO NOT disassemble the fixture.
- Use ONLY in 120,208,240,277 VAC, 60Hz circuits.
- DO NOT use with extension cord near water or wherever water may accumulate.



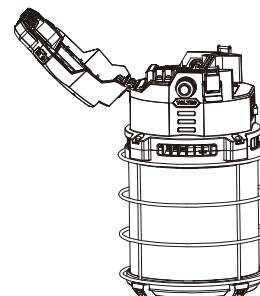
Wiring Instruction

1. Check whether the appearance of the fixture is in good condition (Pic 1)



Pic 1

2. Unlock the 2 locking latches, and open the terminal box cover (Pic 2)

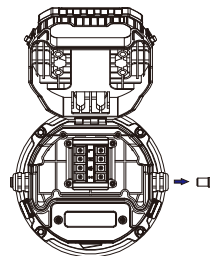


Pic 2

LED TEMPORARY WORK LIGHT

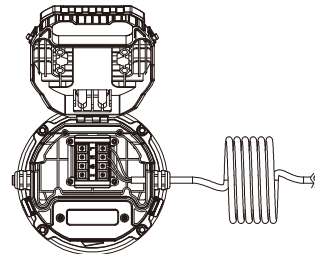
Installation Guide

3. Loosen the waterproof connector counterclockwise, and take out the waterproof rubber plug at the required connection position (Pic 3)



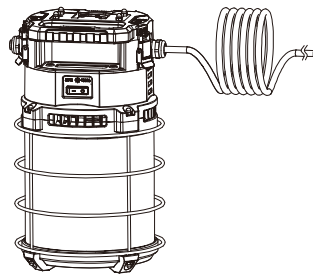
Pic 3

4. Install the cable on the wiring seat with the cross nut. Pay attention to distinguish the polarity of the wire (the cable needs to pass through the waterproof nut) (Pic 4)



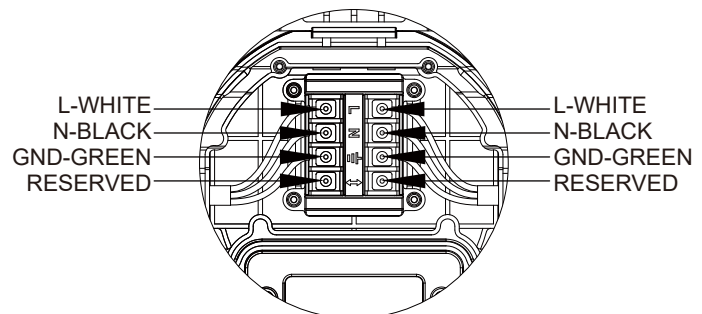
Pic 4

5. After confirmation, tighten the waterproof nut, close the terminal cover, and fasten the 2 locking latches, wire installation completed (Pic 5)



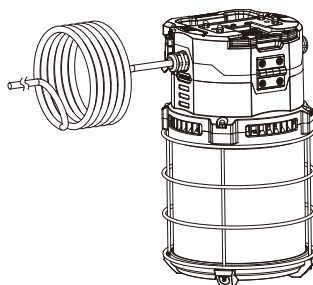
Pic 5

Wiring



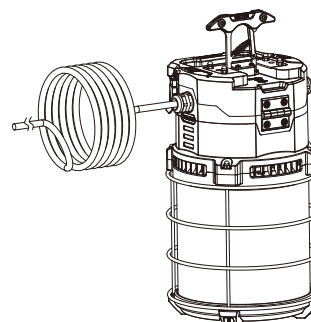
Hook Installation

1. Check whether the appearance of the fixture is in good condition (Pic 6)



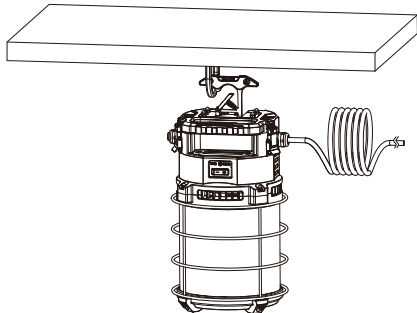
Pic 6

2. Stand the metal hook up (Pic 7)



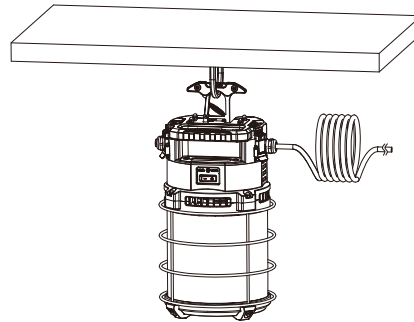
Pic 7

3. Rotate the buckle of the hook and hang it on the ring or rope (Pic 8)



Pic 8

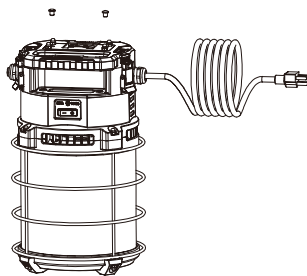
4. Installation finished (Pic 9)



Pic 9

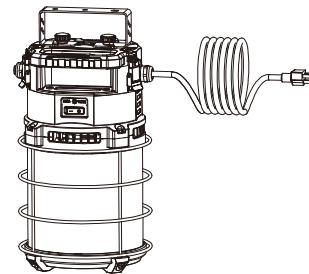
I-type Support Bracket Installation

1. Remove the protective glue plugs inside the two bracket mounting holes on the top (Pic 10)



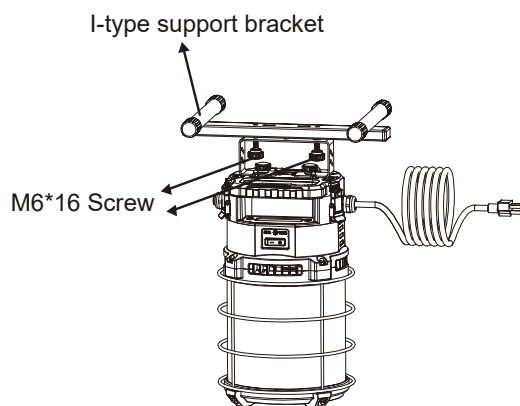
Pic 10

2. Install the metal connection bracket on the top of the product with two M6*12 screws (Pic 11)



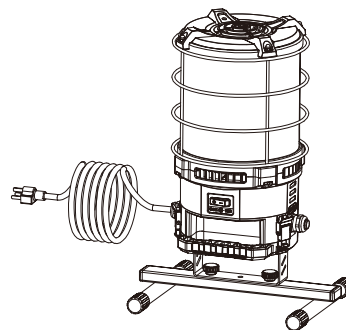
Pic 11

3. Install the I-type support bracket with two M6*16 screws on the connecting bracket (Pic 12)



Pic 12

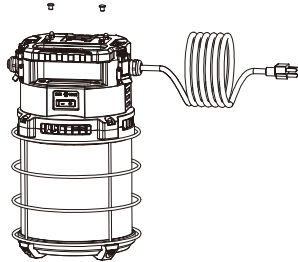
4. I-type support bracket installation finished (Pic 13)



Pic 13

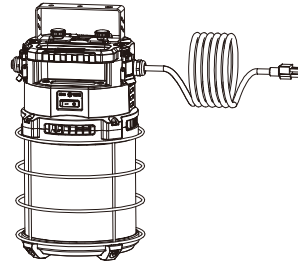
Tripod Installation

1. Remove the protective glue plugs inside the two bracket mounting holes on the top (Pic 14)



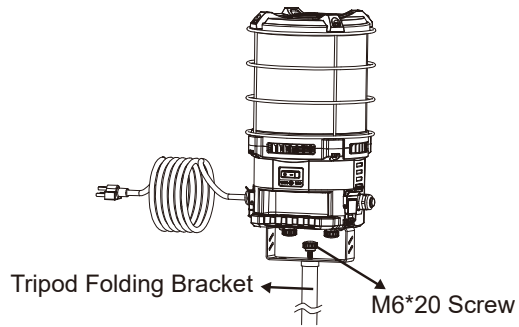
Pic 14

2. Install the metal connection bracket on the top of the product with two M6*12 screws (Pic 15)



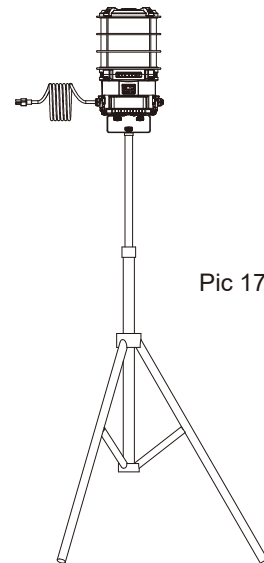
Pic 15

3. Install the metal connection bracket on the tripod folding bracket with one M6*20 screw (Pic 16)



Pic 16

4. Tripod folding bracket installation finished (Pic 17)



Pic 17